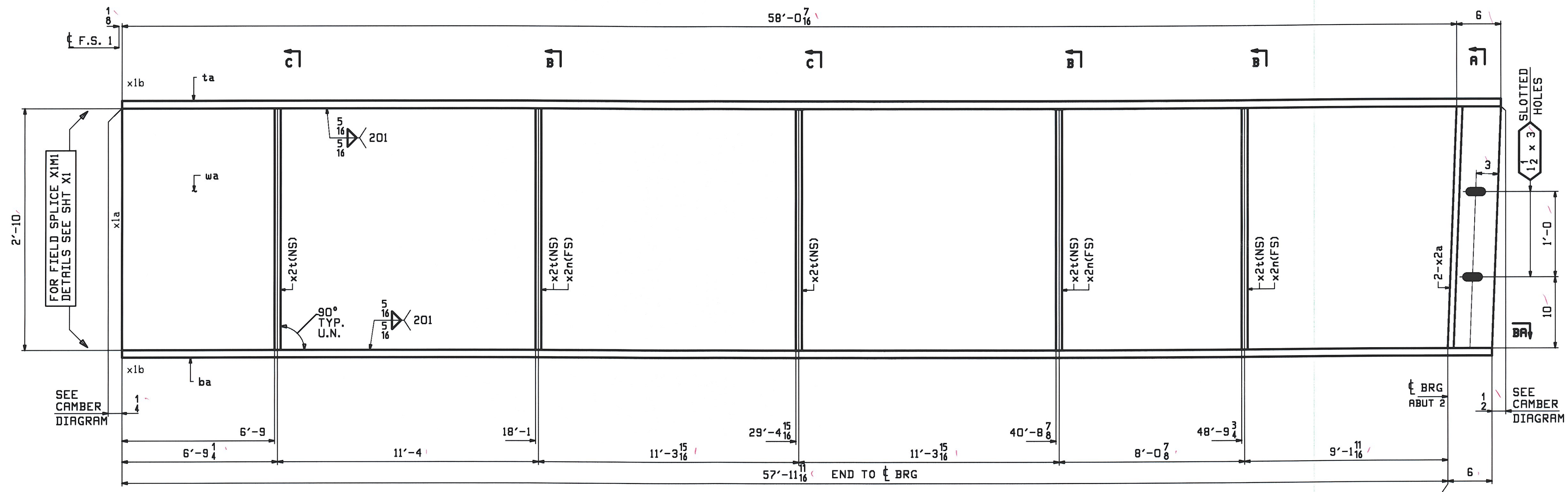
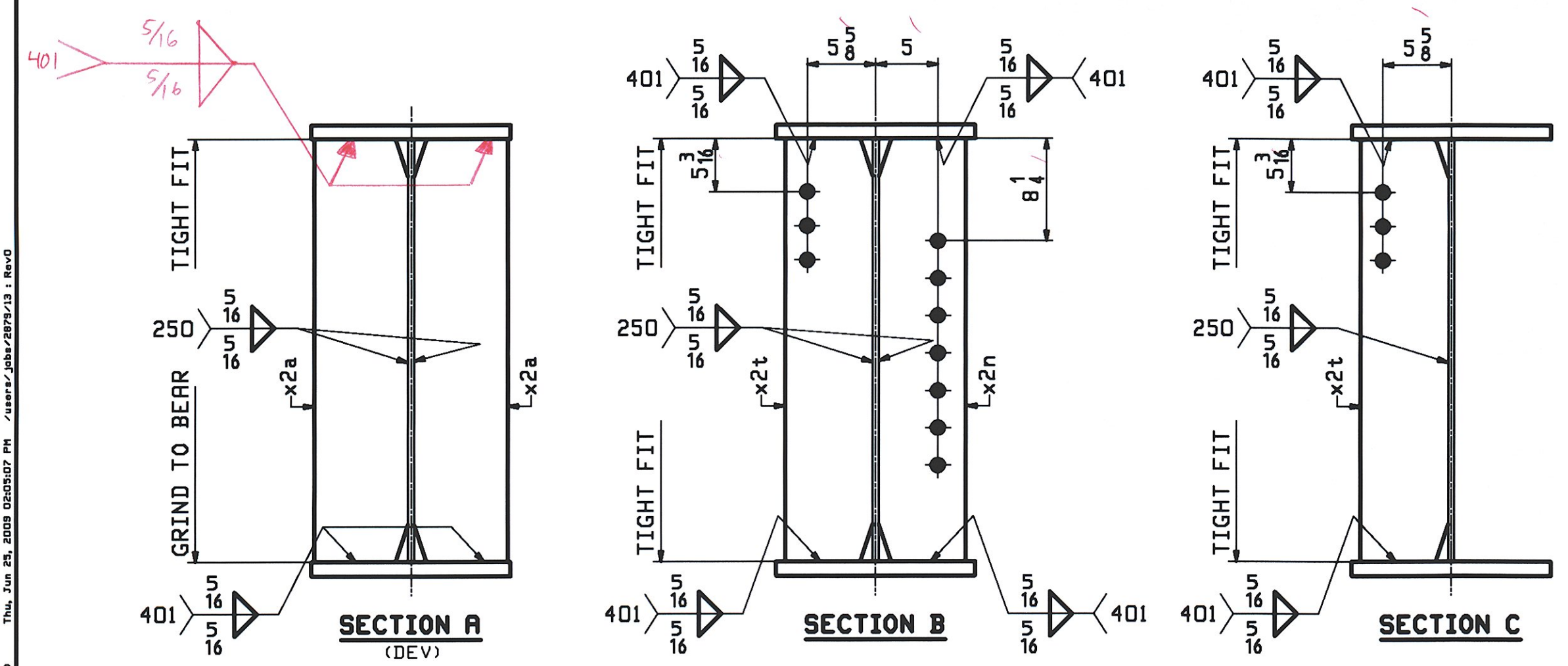
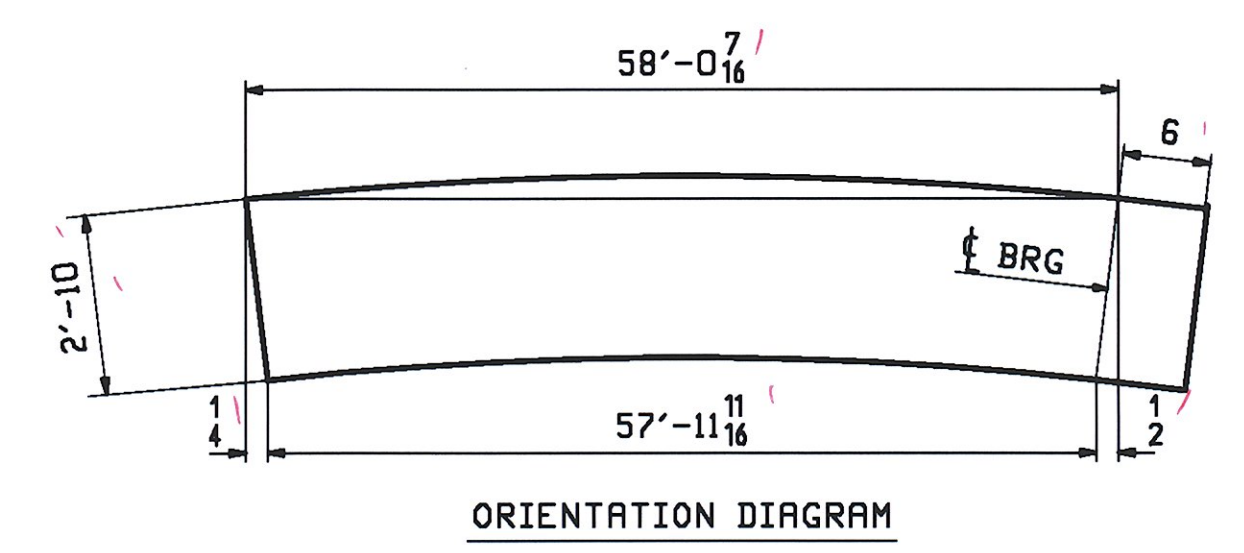
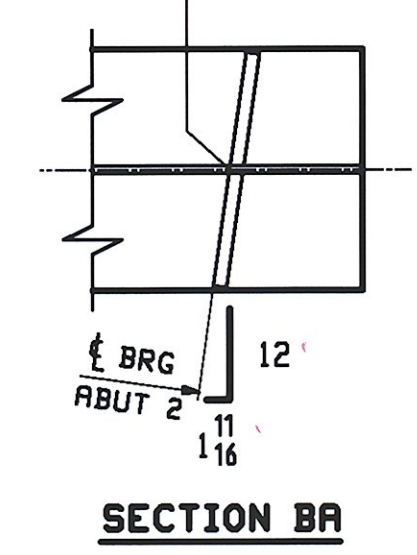


JOB NO.		DRAWING NO.		REV.					
406-1		13							
PAGE	LINE	MARK	QTY	MARK	MATERIAL	LENGTH FT INCHES	REMARKS	WT	PROCUREMENT NOTES
	13G6B	1			GIRDER			1095L	
1	G	1	wa	PL	$\frac{1}{2} \times 34$	58' $6\frac{7}{16}$	M270-50WT2 (H2-3)		
1	A	1	ta	PL	$\frac{1}{8} \times 16$	58' $6\frac{7}{16}$	M270-50WT2 (H2-3)		
1	A	1	ba	PL	$\frac{1}{8} \times 16$	58' $5\frac{11}{16}$	M270-50WT2 (H2-3)		
2	G	2	x2a	PL	$\frac{7}{8} \times 7\frac{1}{2}$	2' 10"	MIE BEV		
2	H	3	x2n	PL	$\frac{1}{2} \times 7$	2' 10"			
2	H	5	x2t	PL	$\frac{1}{2} \times 7$	2' 10"			



ONE - GIRDER - 13G6B
 FOR FIELD SPLICE & STANDARD DETAILS SEE X SHEETS
 FOR CAMBER & FLANGE DIAGRAM SEE SHEET C2
 FOR GENERAL NOTES SEE SHEET GNI



RECEIVED
 JUN 26 2009
 APPROVED AS NOTED
 BY CWC DATE 7-13-09

REV.	DATE	REMARKS	DMN	CHK	APVL	SHOP
0						
MATERIAL:		SURFACE PREP. & PAINT:		HOLES:		SHOP BOLTS:
M270-50W (UN)		SEE GNI		$15\frac{15}{16}$ U.N.		NONE
DESCRIPTION: GIRDER - 13G6B						
CASCO BAY STEEL STRUCTURES, INC. 75 SPRING HILL ROAD SACO, MAINE 04072 PHONE (207) 282-7360 FAX. (207) 282-1179						
STRUCTURE: VT 11 OVER BLACK RIVER BRIDGE NO. 64 SPRINGFIELD, VERMONT COUNTY OF WINDSOR				DRAWN: WJF	DATE: 06/12	
LOCATION: TOWN OF SPRINGFIELD				CHKD: DO	DATE: 06/23	
PROJ NO. BHF 016-2(14)			JOB NO. 406-1		DWG NO. 13	
CUSTOMER: COLD RIVER BRIDGES, LLC					REV. Δ	