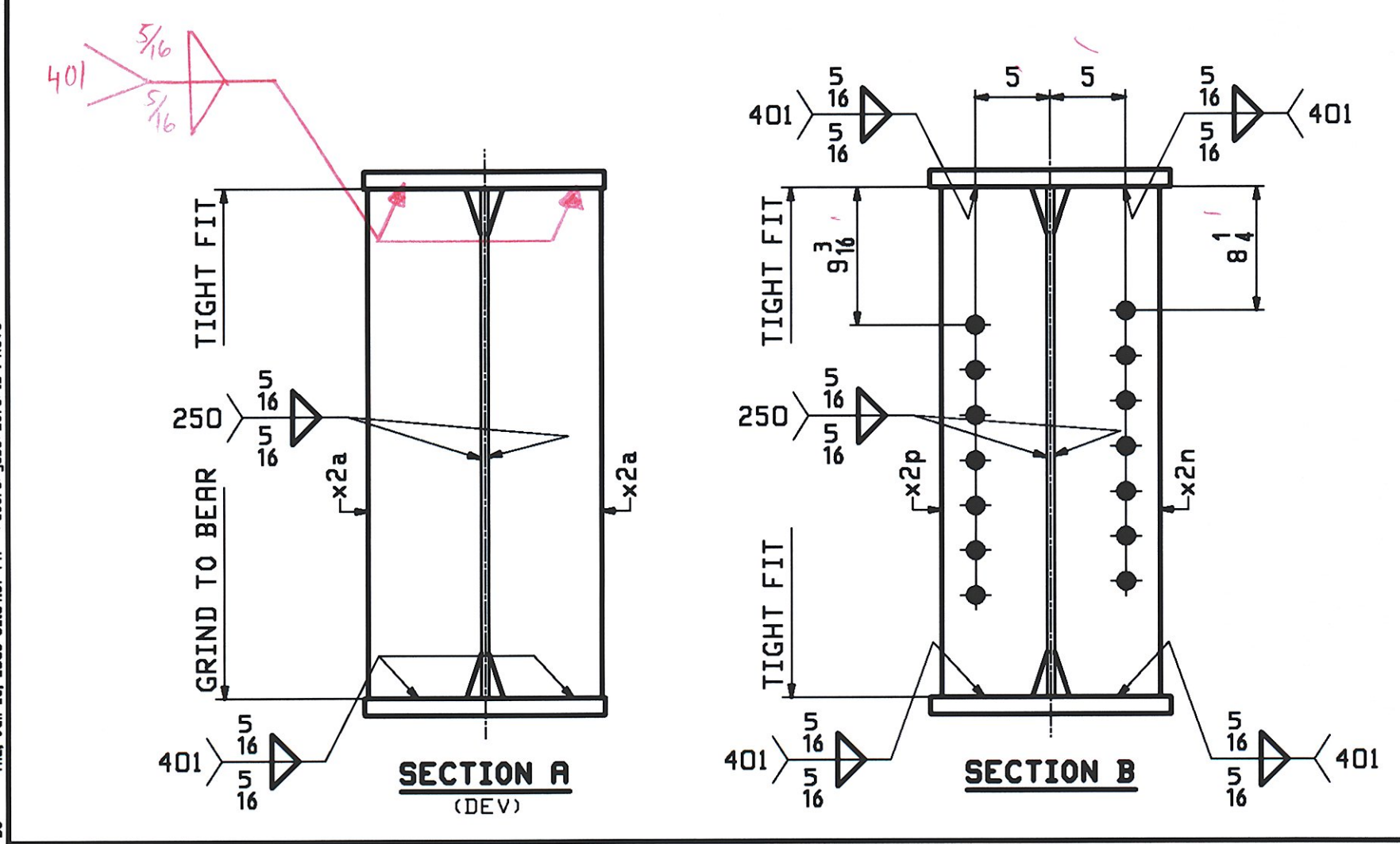
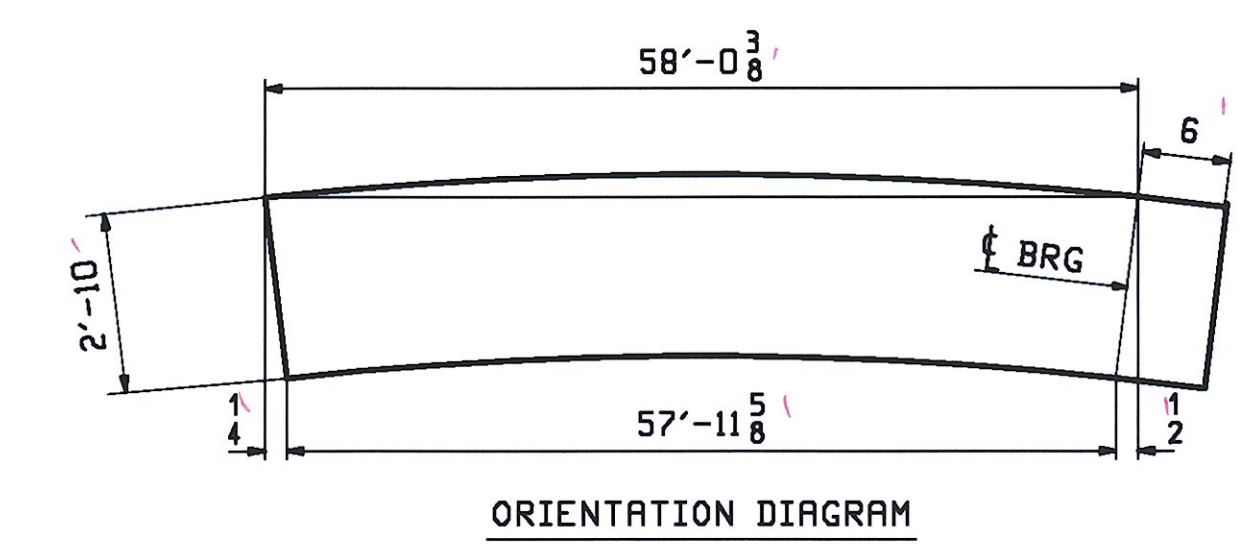
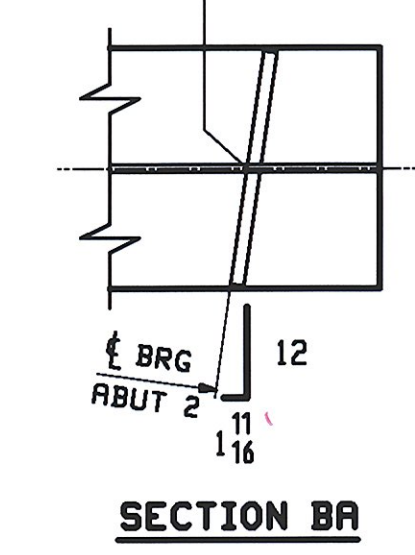


ONE - GIRDER - 12G5B

FOR FIELD SPLICE & STANDARD DETAILS SEE X SHEETS
 FOR CAMBER & FLANGE DIAGRAM SEE SHEET C2
 FOR GENERAL NOTES SEE SHEET GN1



ABM INFO		SHIP		BILL OF MATERIAL				JOB NO.		DRAWING NO.		REV.
								406-1		12		
PAGE	LINE	MARK	QTY	MARK	MATERIAL	LENGTH		REMARKS	WT	PROCUREMENT NOTES		
						FT	INCHES					
		12G5B	1		GIRDER					10881		
1	G		1	wa	PL 1/2 x 34	58	6 3/8	M270-SOWT2 (H2-3)				
1	A		1	ta	PL 1/8 x 16	58	6 3/8	M270-SOWT2 (H2-3)				
1	A		1	ba	PL 1/8 x 16	58	5 5/8	M270-SOWT2 (H2-3)				
2	G		2	x2a	PL 7/8 x 7 1/2	2	10	MIE BEV				
2	H		3	x2n	PL 1/2 x 7	2	10					
2	H		3	x2p	PL 1/2 x 7	2	10					

REV.	DATE	REMARKS	DWN	CHK	APVL	SHOP
0						
MATERIAL:		SURFACE PREP. & PAINT:		HOLES:		SHOP BOLTS:
M270-SOW (UN)		SEE GN1		15/16" U.N.		NONE
DESCRIPTION: GIRDER - 12G5B						
CASCO BAY STEEL STRUCTURES, INC.						
75 SPRING HILL ROAD			SACO, MAINE 04072			
PHONE (207) 282-7360			FAX. (207) 282-1179			
STRUCTURE: VT 11 OVER BLACK RIVER				DRAWN:		DATE:
BRIDGE NO. 64				WJF		06/12
SPRINGFIELD, VERMONT				CHKD:		DATE:
COUNTY OF WINDSOR				DO		06/23
LOCATION: TOWN OF SPRINGFIELD				JOB NO.		DWG NO.
PROJ NO. BHF D16-2(14)				406-1		12
CUSTOMER: COLD RIVER BRIDGES, LLC						REV.

RECEIVED
 JUN 26 2009
 APPROVED AS NOTED
 DATE 7-13-09

10
 11
 12
 13
 14
 15
 16
 17
 18
 19
 20
 21
 22
 23
 24
 25
 26
 27
 28
 29
 30
 31
 32
 33
 34
 35
 36
 37
 38
 39
 40
 41
 42
 43
 44
 45
 46
 47
 48
 49
 50
 51
 52
 53
 54
 55
 56
 57
 58
 59
 60
 61
 62
 63
 64
 65
 66
 67
 68
 69
 70
 71
 72
 73
 74
 75
 76
 77
 78
 79
 80
 81
 82
 83
 84
 85
 86
 87
 88
 89
 90
 91
 92
 93
 94
 95
 96
 97
 98
 99
 100