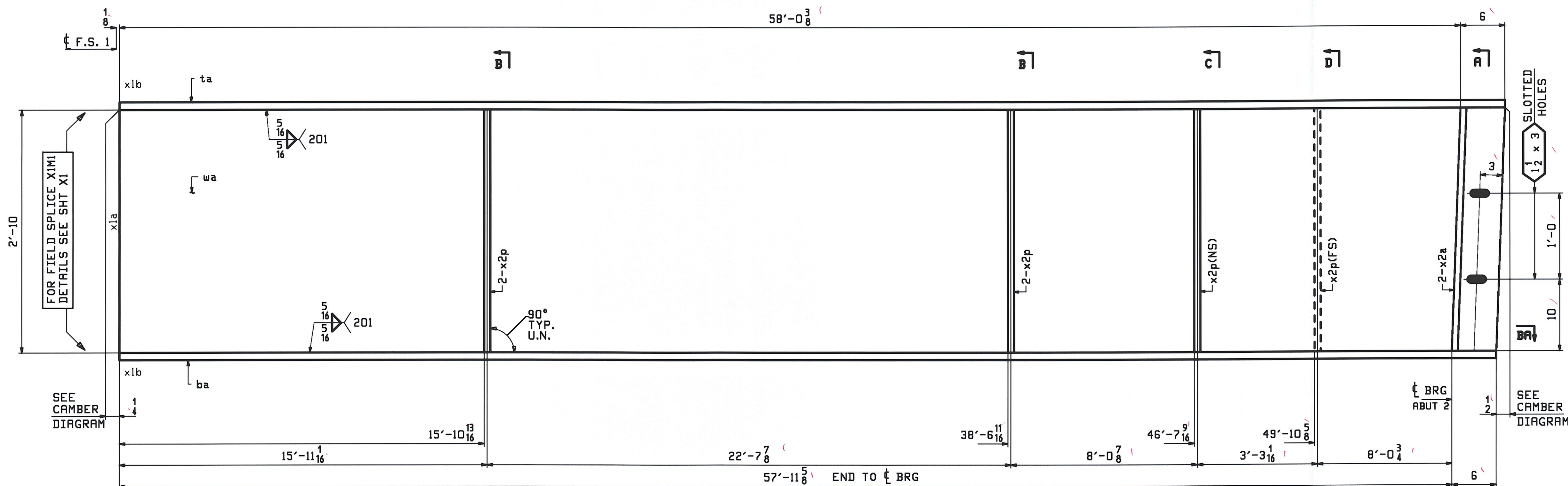
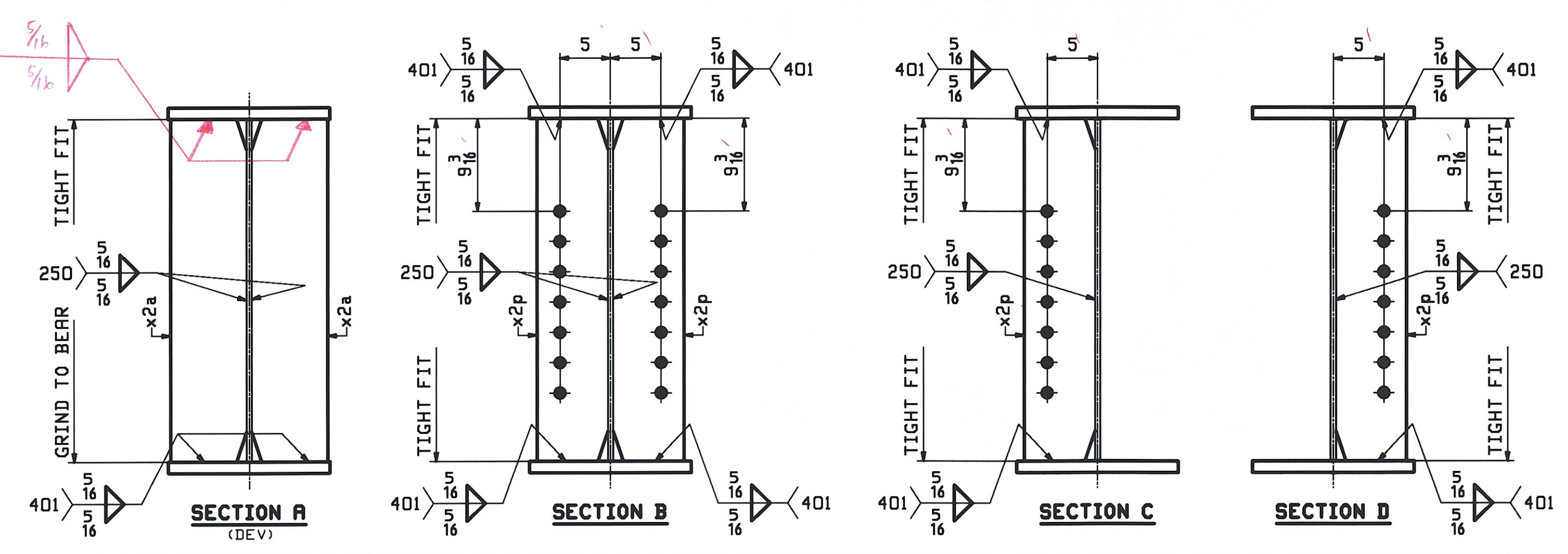
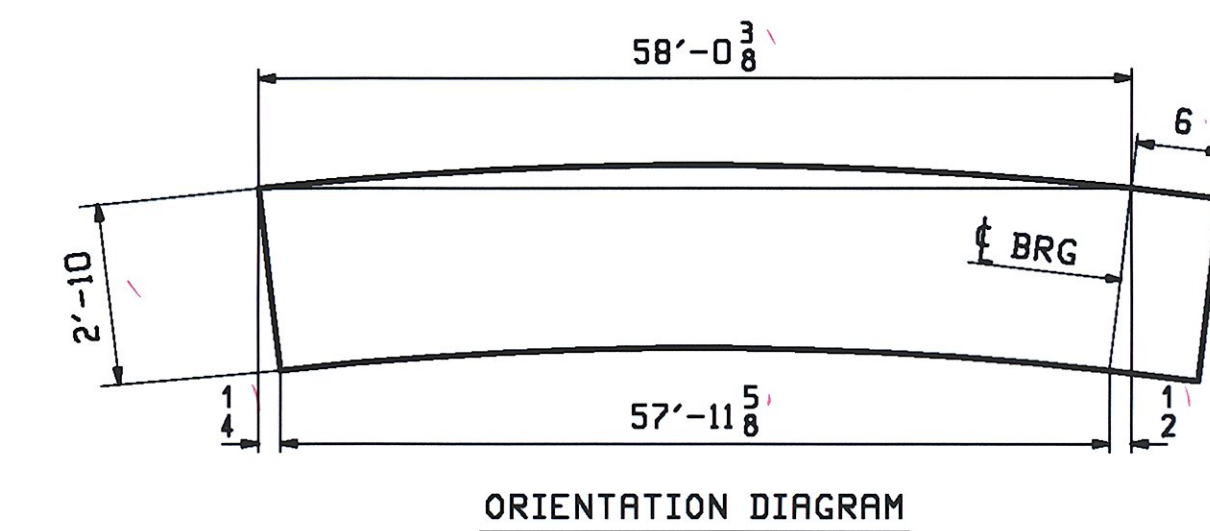
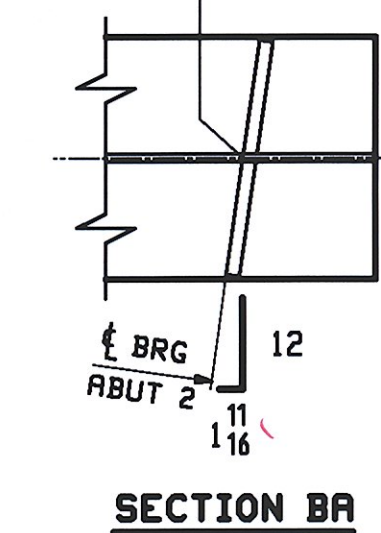


PAGE	LINE	MARK	QTY	MARK	MATERIAL	LENGTH		REMARKS	JOB NO.	DRAWING NO.	REV.
						FT	INCHES				
		11G4B	1		GIRDER				406-1	11	
											10881
1	G		1	ua	PL 1/2 x 34	58	6 3/8	M270-SOMT2 (H2-3)			
1	A		1	ta	PL 1/8 x 16	58	6 3/8	M270-SOMT2 (H2-3)			
1	A		1	ba	PL 1/8 x 16	58	5 5/8	M270-SOMT2 (H2-3)			
2	G		2	x2a	PL 7/8 x 7 1/2	2	10	MIE BEV			
2	H		6	x2p	PL 1/2 x 7	2	10				



**ONE - GIRDER - 11G4B**

FOR FIELD SPLICE & STANDARD DETAILS SEE X SHEETS  
 FOR CAMBER & FLANGE DIAGRAM SEE SHEET C2  
 FOR GENERAL NOTES SEE SHEET GN1



RECEIVED  
 JUN 26 2009  
 APPROVED AS NOTED  
 DATE 7-13-09

REV.	DATE	REMARKS	DWN	CHK	APVL	SHOP
0						
MATERIAL:		SURFACE PREP. & PRINT:		HOLES:		SHOP BOLTS:
M270-SOM (UN)		SEE GN1		15/16" Ø U.N.		NONE
DESCRIPTION: GIRDER - 11G4B						
CASCO BAY STEEL STRUCTURES, INC. 75 SPRING HILL ROAD SACO, MAINE 04072 PHONE (207) 282-7360 FAX. (207) 282-1179						
STRUCTURE: VT 11 OVER BLACK RIVER BRIDGE NO. 64 SPRINGFIELD, VERMONT COUNTY OF WINDSOR				DRAWN: WJF	DATE: 06/12	
LOCATION: TOWN OF SPRINGFIELD				CHKD: DO	DATE: 06/23	
PROJ. NO. BHF 016-2(14)			JOB NO. 406-1		DNG NO. 11	
CUSTOMER: COLD RIVER BRIDGES, LLC					REV. 1	