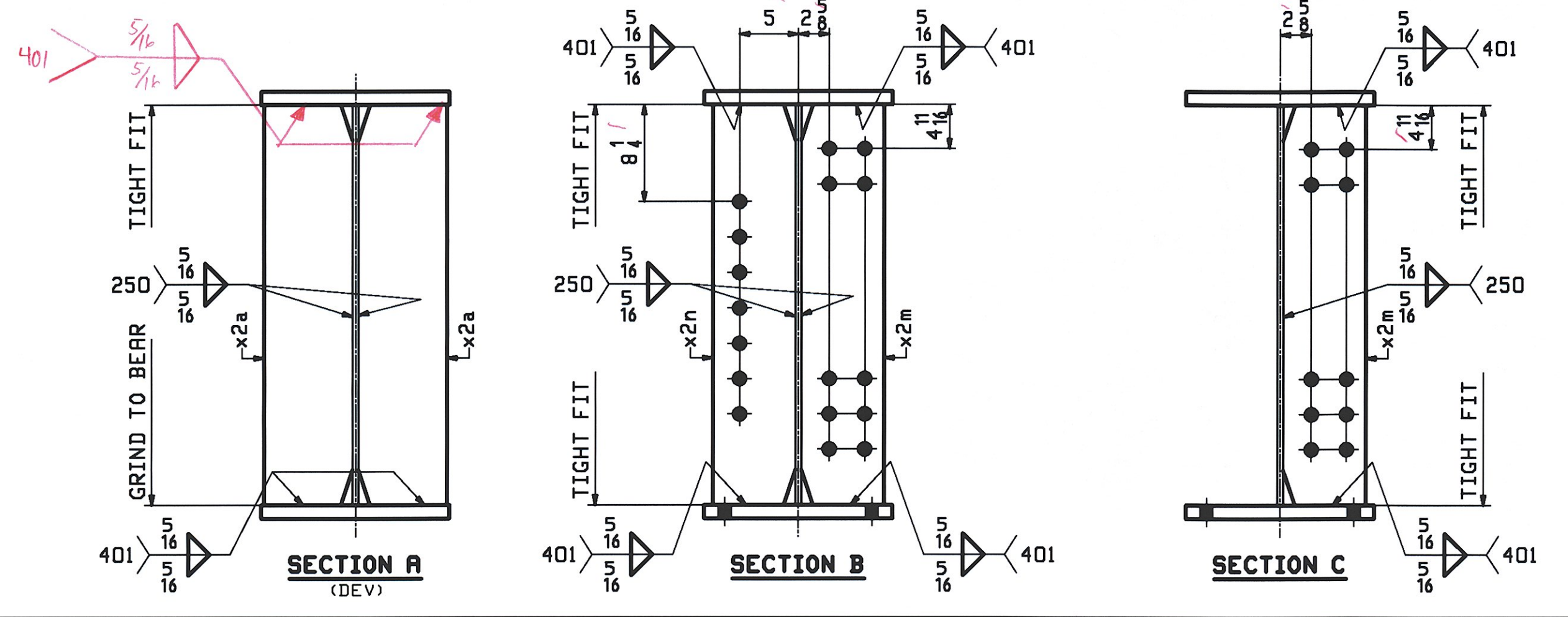
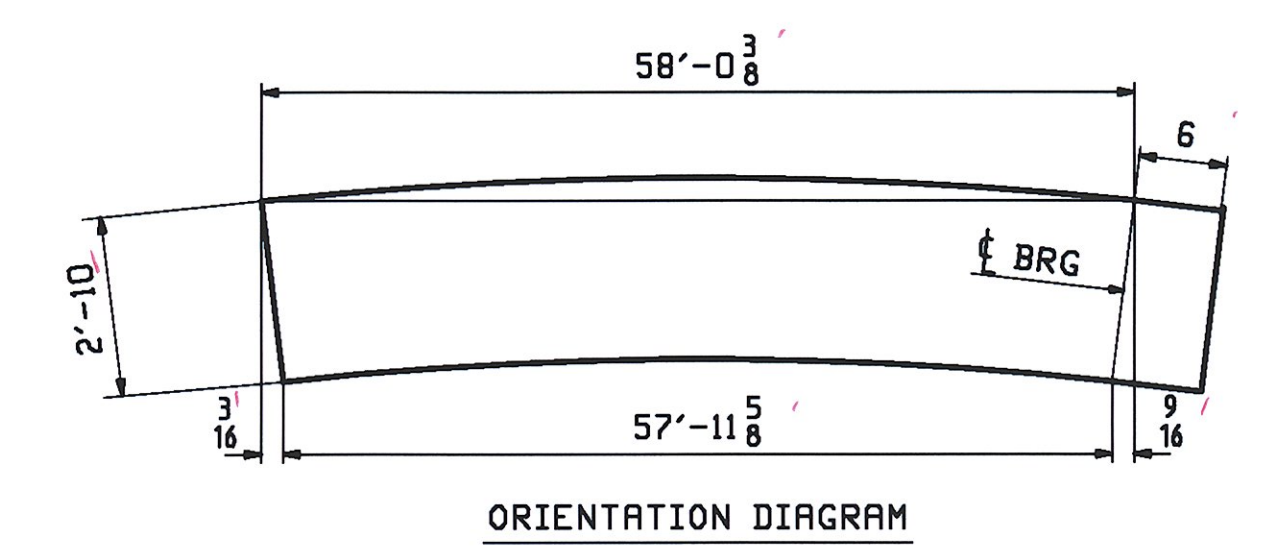
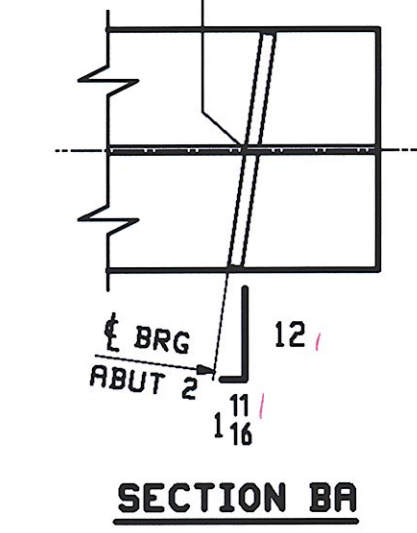


SECTION BB

"X"
5'-8 ⁹ / ₁₆
15'-8 ⁹ / ₁₆
25'-8 ⁹ / ₁₆
35'-4 ⁹ / ₁₆
45'-8 ⁹ / ₁₆

ONE - GIRDER - 9G2B
 FOR FIELD SPLICE & STANDARD DETAILS SEE X SHEETS
 FOR CAMBER & FLANGE DIAGRAM SEE SHEET C2
 FOR GENERAL NOTES SEE SHEET G1



BILL OF MATERIAL						JOB NO.	DRAWING NO.	REV.	
						406-1	9		
PAGE	LINE	MARK	QTY	MARK	MATERIAL	LENGTH	REMARKS	MT	PROCUREMENT
						FT	INCHES	NOTES	
		9G2B	1		GIRDER				10949
1	G		1	ua	PL 1/2 x 34	58	M270-50WT2 (H2-3)		
1	A		1	ta	PL 1/8 x 16	58	M270-50WT2 (H2-3)		
1	A		1	ba	PL 1/8 x 16	58	M270-50WT2 (H2-3)		
2	G		2	x2a	PL 7/8 x 7 1/2	2	MIE BEV		
2	H		5	x2m	PL 1/2 x 7	2			
2	H		3	x2n	PL 1/2 x 7	2			

RECEIVED
 JUN 26 2009
 APPROVED AS NOTED
 DATE 7.13.09

REV.	DATE	REMARKS	DWN	CHK	APVL	SHOP
0						
MATERIAL:		SURFACE PREP. & PAINT:		HOLES:		SHOP BOLTS:
M270-50W (UN)		SEE G1		15/16" Ø U.N.		NONE
DESCRIPTION: GIRDER - 9G2B						
CASCO BAY STEEL STRUCTURES, INC.						
75 SPRING HILL ROAD			SACO, MAINE 04072			
PHONE (207) 282-7360			FAX (207) 282-1179			
STRUCTURE: VT 11 OVER BLACK RIVER					DRAWN:	DATE:
BRIDGE NO. 64					WJF	06/12
SPRINGFIELD, VERMONT					CHKD:	DATE:
COUNTY OF WINDSOR					DO	06/23
LOCATION: TOWN OF SPRINGFIELD					JOB NO.	DWG NO.
PROJ NO. BHF 016-2(14)					406-1	9
CUSTOMER: COLD RIVER BRIDGES, LLC						REV. ▲

Thu Jun 25 2009 10:24:27 PM /user/.../.../...