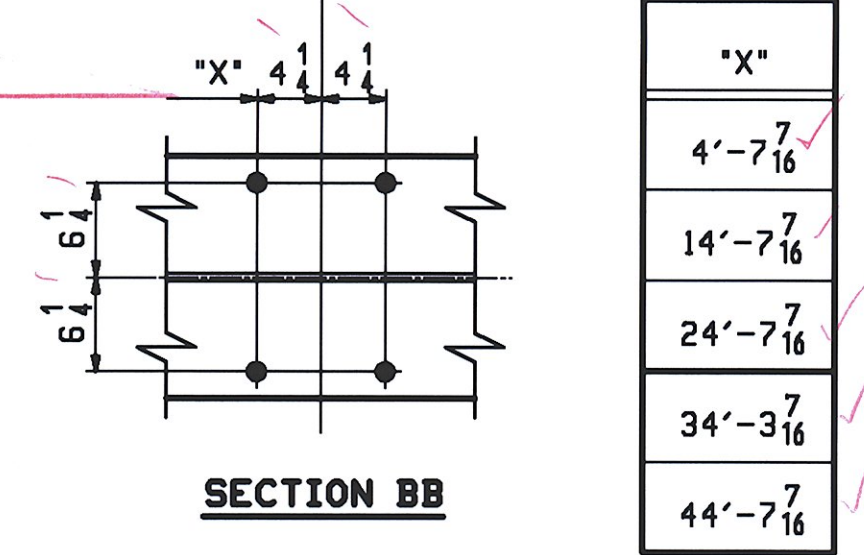
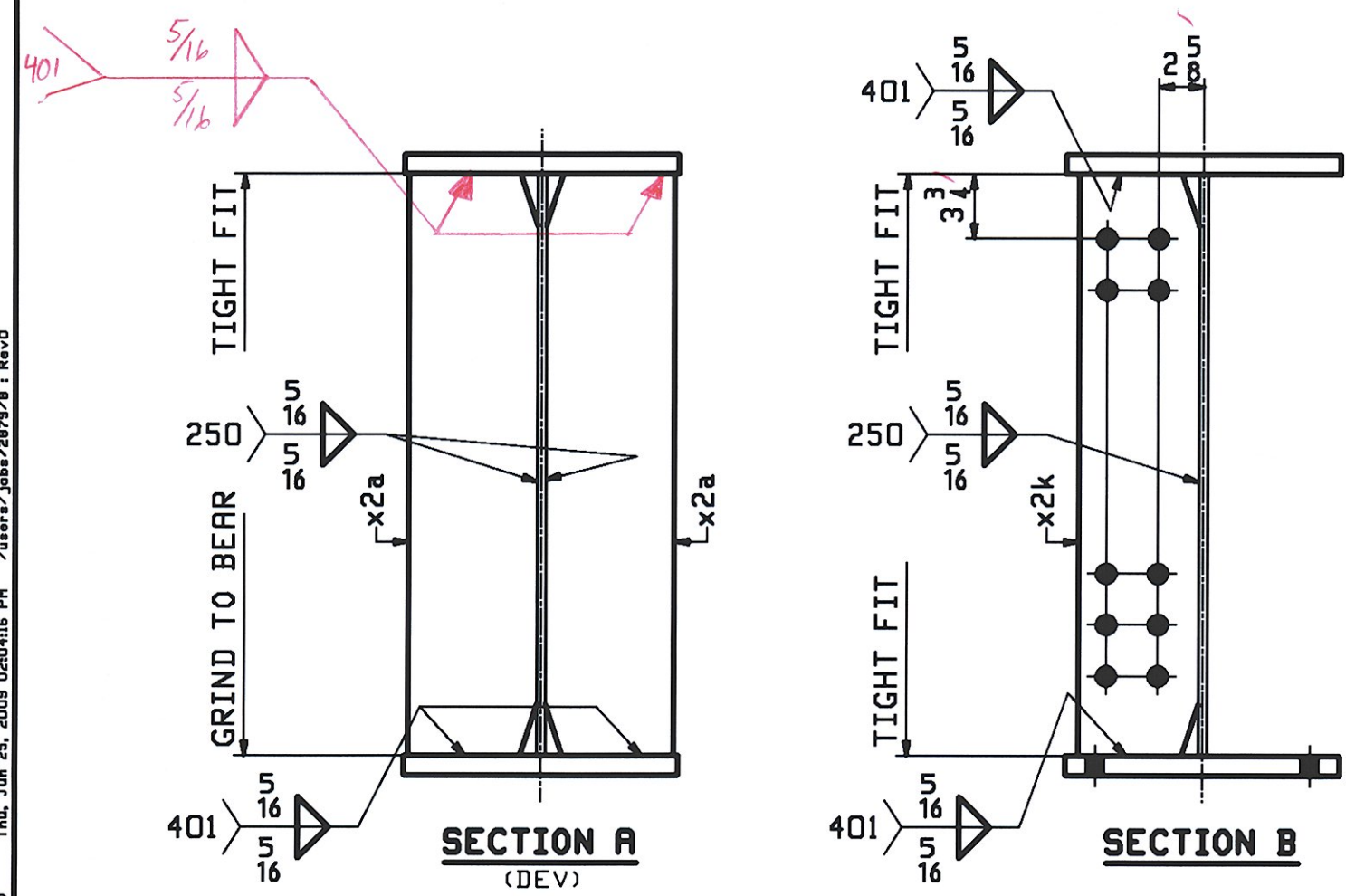
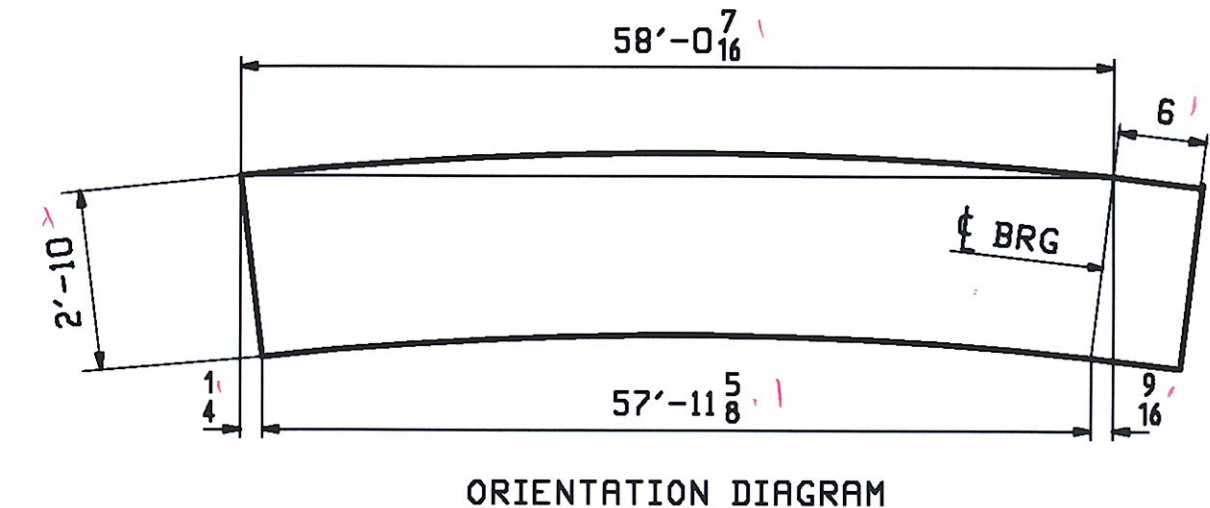
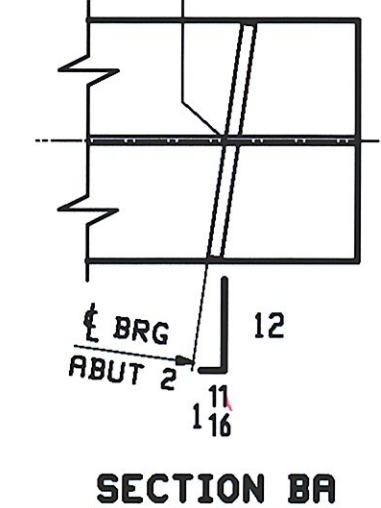


ONE - GIRDER - 8G1B

FOR FIELD SPLICE & STANDARD DETAILS SEE X SHEETS
 FOR CAMBER & FLANGE DIAGRAM SEE SHEET C2
 FOR GENERAL NOTES SEE SHEET GNI



"X"
4'-7 ⁷ / ₁₆
14'-7 ⁷ / ₁₆
24'-7 ⁷ / ₁₆
34'-3 ⁷ / ₁₆
44'-7 ⁷ / ₁₆



ABM INFO		SHIP		BILL OF MATERIAL		JOB NO.		DRAWING NO.		REV.
						406-1		8		
PAGE	LINE	MARK	QTY	MARK	MATERIAL	LENGTH		REMARKS	MT	PROCUREMENT NOTES
						FT	INCHES			
		8G1B	1		GIRDER					10848
1	G		1	wa	PL 1/2 x 34	58	6 7/8	M270-50MT2 (H2-3)		
1	A		1	ta	PL 1/8 x 16	58	6 7/8	M270-50MT2 (H2-3)		
1	A		1	ba	PL 1/8 x 16	58	5 5/8	M270-50MT2 (H2-3)		
2	G		2	x2a	PL 7/8 x 7 1/2	2	10	MIE BEV		
2	H		5	x2k	PL 1/2 x 7	2	10			

RECEIVED
 JUN 26 2009
 BY *CWC* DATE *7.13.09*

REV.	DATE	REMARKS	DWN	CHK	APVL	SHOP
0						
MATERIAL:		SURFACE PREP. & PAINT:		HOLES:		SHOP BOLTS:
M270-50W (UN)		SEE GNI		1 1/2" Ø U.N.		NONE
DESCRIPTION: GIRDER - 8G1B						
CASCO BAY STEEL STRUCTURES, INC. 75 SPRING HILL ROAD SACO, MAINE 04072 PHONE (207) 282-7360 FAX. (207) 282-1179						
STRUCTURE: VT 11 OVER BLACK RIVER BRIDGE NO. 64 SPRINGFIELD, VERMONT COUNTY OF WINDSOR				DRAWN:	DATE:	
				WJF	06/12	
				CHKD:	DATE:	
				DO	06/23	
LOCATION: TOWN OF SPRINGFIELD			JOB NO.		DWG NO.	
PROJ NO. BHF 016-2(14)			406-1		8	
CUSTOMER: COLD RIVER BRIDGES, LLC					REV. <i>△</i>	