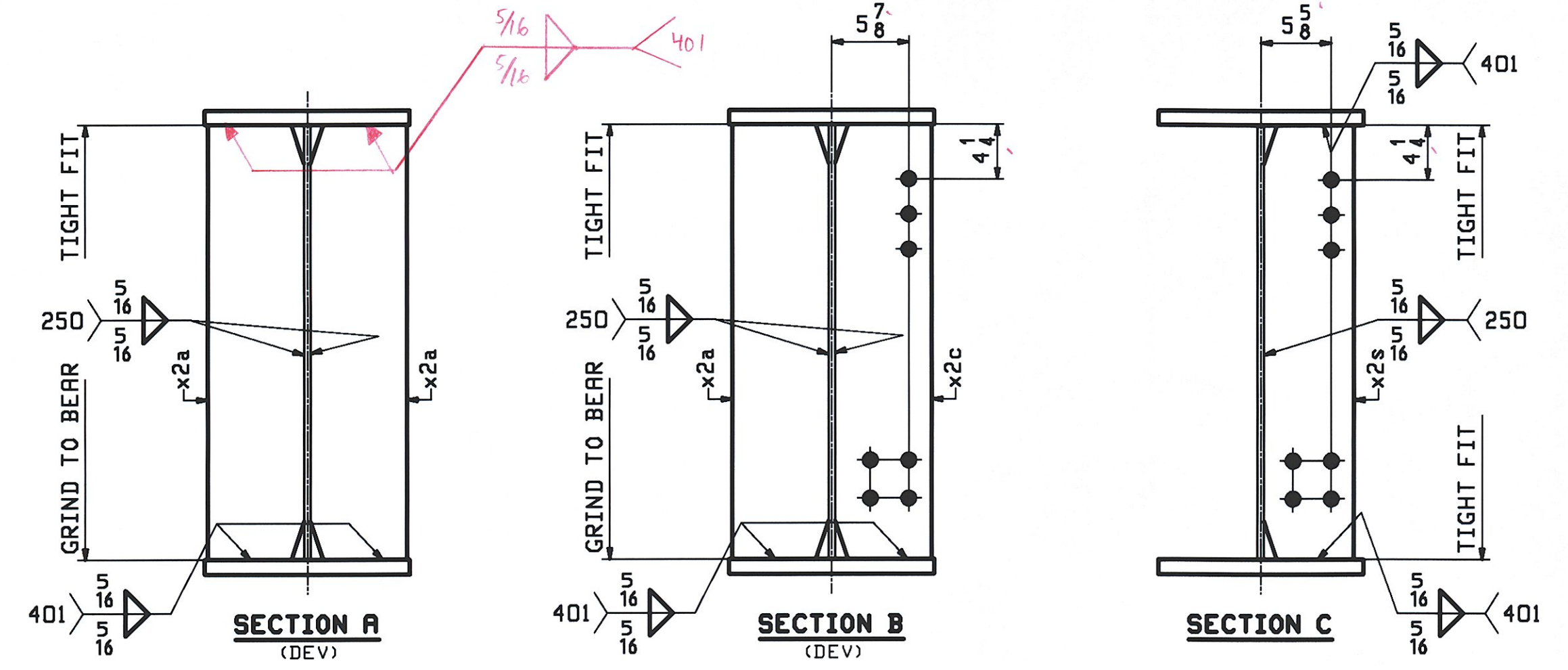
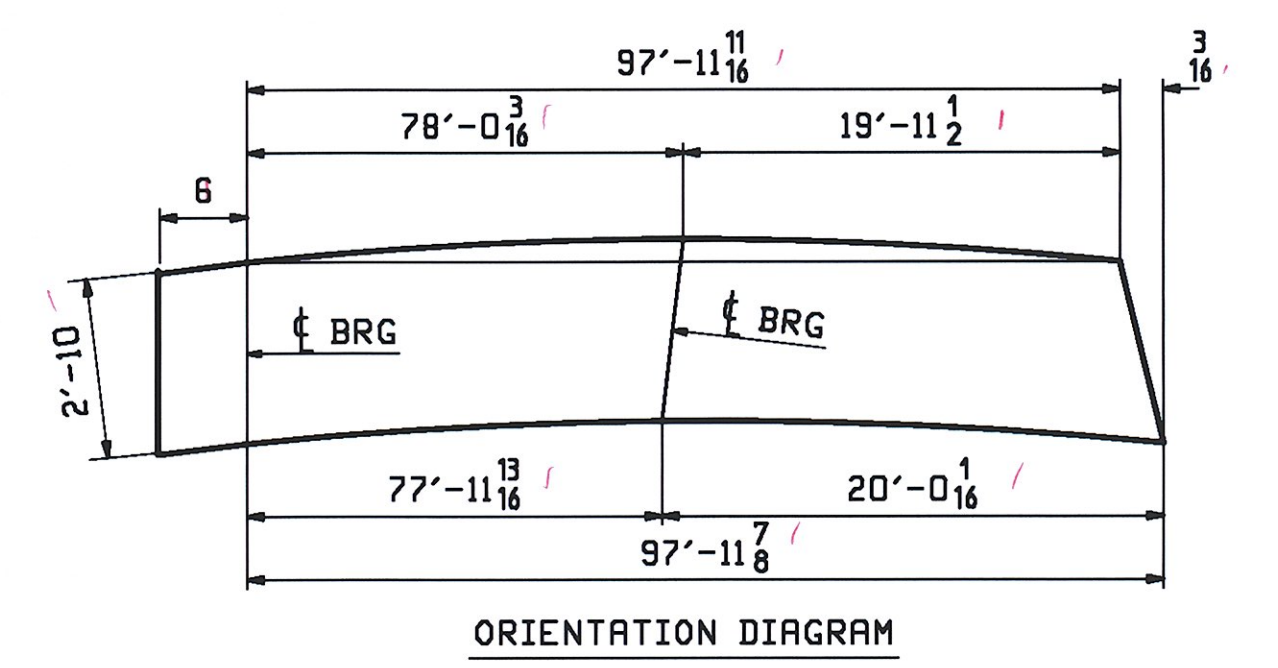
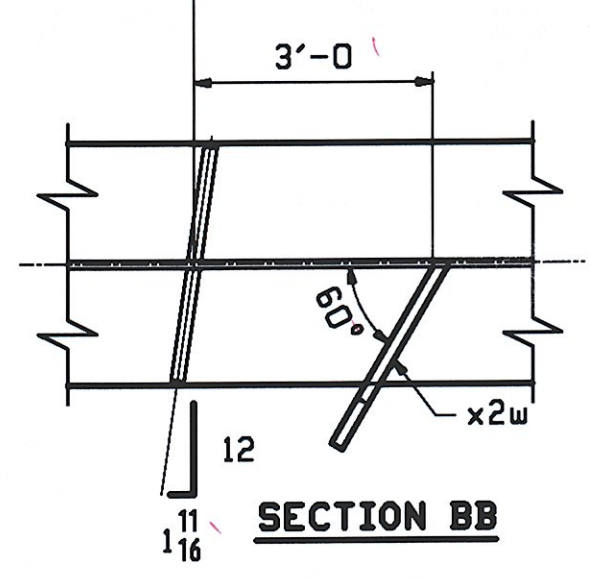
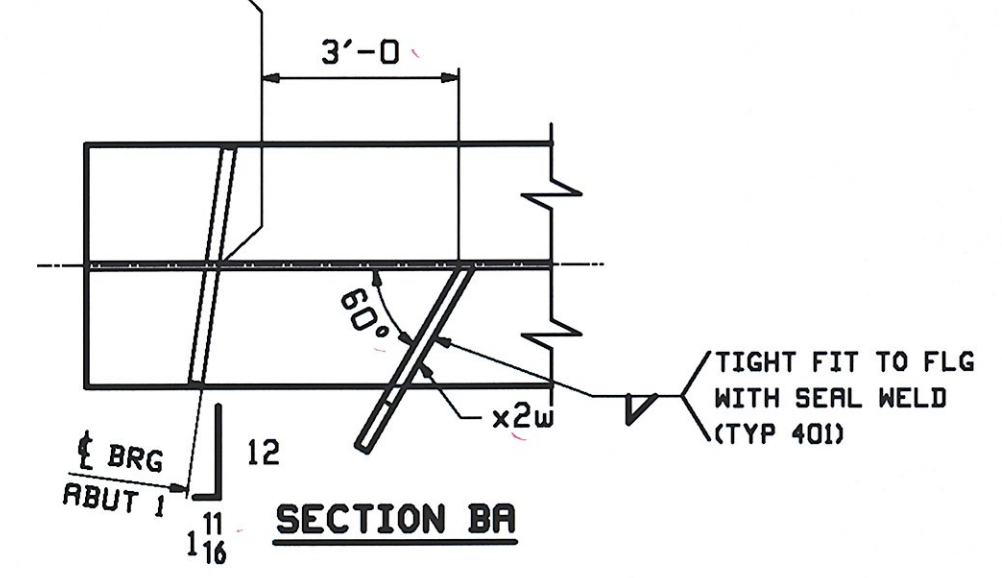


SEE CAMBER DIAGRAM
FOR FIELD SPLICE XIMI DETAILS SEE SHT XI

ONE - GIRDER - 7G7A

FOR FIELD SPLICE & STANDARD DETAILS SEE X SHEETS
FOR CAMBER & FLANGE DIAGRAM SEE SHEET C1
FOR GENERAL NOTES SEE SHEET GNI



ABM INFO		BILL OF MATERIAL				JOB NO.		DRAWING NO.		REV.
PAGE	LINE	MARK	QTY	MARK	MATERIAL	LENGTH	REMARKS	WT	PROCUREMENT NOTES	
						FT				
										7
		7G7A	1		GIRDER					10290
1	E		1	wa	PL 1/2 x 34	54 8 1/16	M270-S0HT2 (H2-3)			
1	J		1	wb	PL 1/2 x 34	43 9 15/16	M270-S0HT2 (H2-3)			
1	A		1	ta	PL 1/8 x 16	58 8 1/16	M270-S0HT2 (H2-3)			
1	C		1	tb	PL 1/8 x 16	39 9 11/16	M270-S0HT2 (H2-3)			
1	A		1	ba	PL 1/8 x 16	58 8 1/16	M270-S0HT2 (H2-3)			
1	C		1	bb	PL 1/8 x 16	39 9 11/16	M270-S0HT2 (H2-3)			
2	G		3	x2a	PL 7/8 x 7 1/2	2 10	MIE BEV			
2	G		1	x2c	PL 7/8 x 7 1/2	2 10	MIE BEV			
2	H		8	x2s	PL 1/2 x 7	2 10	MIE BEV			
2	K		2	x2w	PL 1/2 x 3 1/2	0 11	DRIP BARS			

RECEIVED
CHKD BY DEP OK'D BY CMC
JUN 26 2009
APPROVED AS NOTED
BY aue DATE 7-13-09

REV.	DATE	REMARKS	DMN	CHK	APVL	SHOP
0						
MATERIAL:		SURFACE PREP. & PAINT:		HOLES:		SHOP BOLTS:
M270-S0W (UN)		SEE GNI		15/16" Ø U.N.		NONE
DESCRIPTION: GIRDER - 7G7A						
CASCO BAY STEEL STRUCTURES, INC. 75 SPRING HILL ROAD SACO, MAINE 04072 PHONE (207) 282-7360 FAX. (207) 282-1179						
STRUCTURE: VT 11 OVER BLACK RIVER BRIDGE NO. 64 SPRINGFIELD, VERMONT COUNTY OF WINDSOR				DRAWN: WJF	DATE: 06/12	
LOCATION: TOWN OF SPRINGFIELD				CHKD: DO	DATE: 06/23	
PROJ NO. BHF 016-2(14)				JOB NO. 406-1	DWG NO. 7	
CUSTOMER: COLD RIVER BRIDGES, LLC					REV. 7	