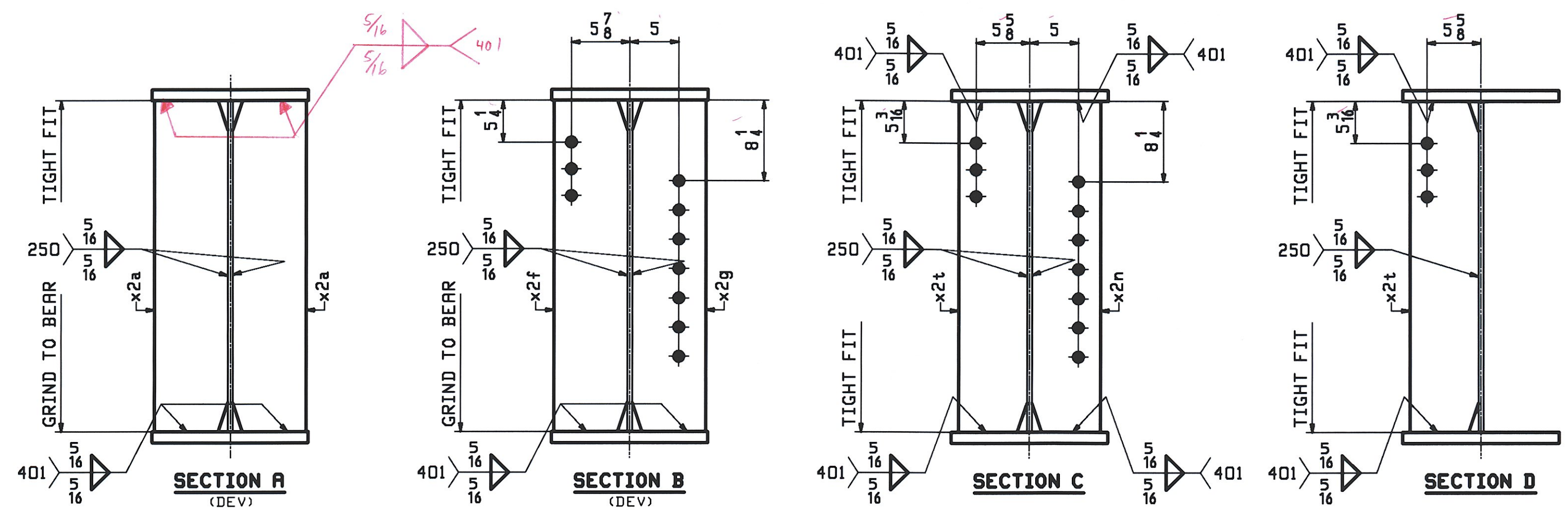
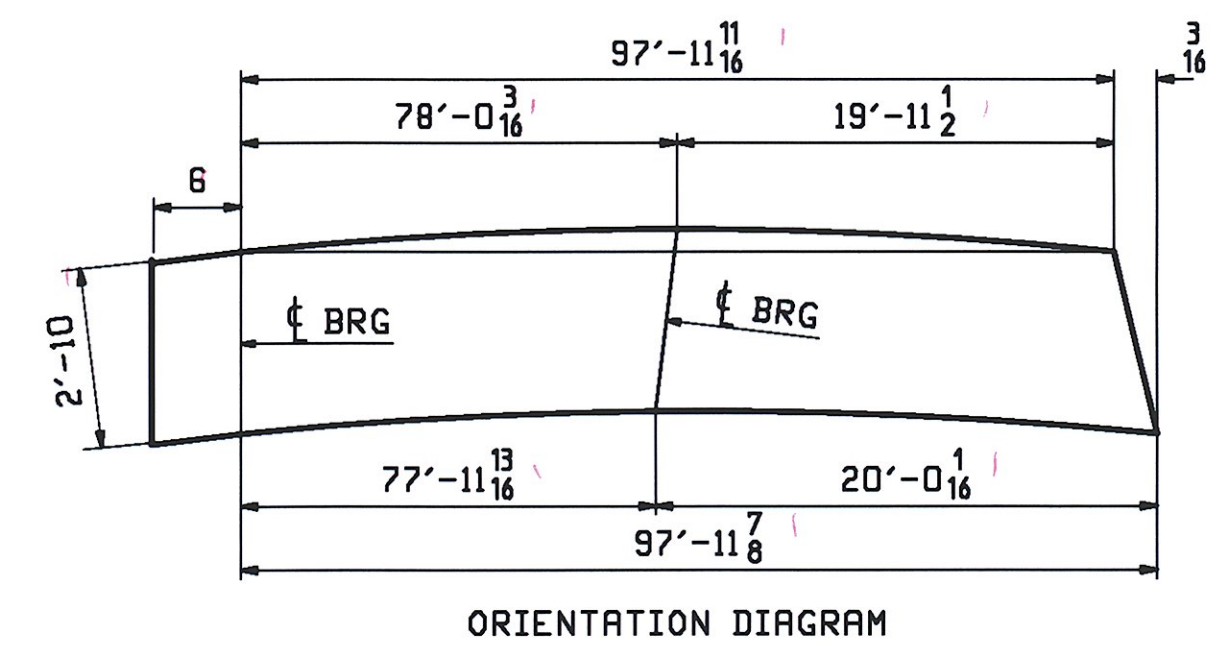
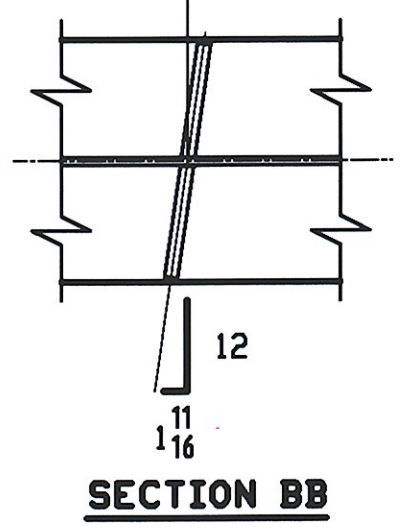
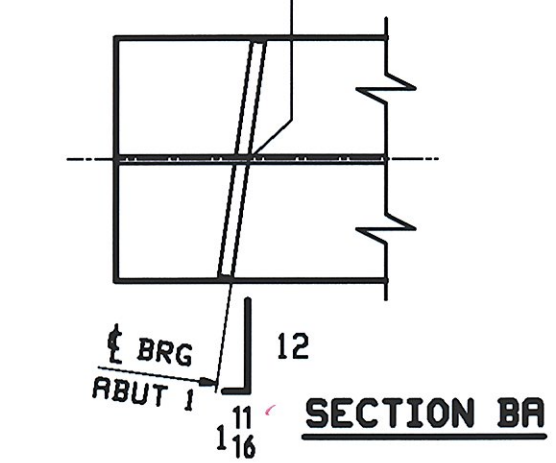


ABM INFO		BILL OF MATERIAL				JOB NO.	DRAWING NO.	REV.	
PAGE	LINE	MARK	QTY	MARK	MATERIAL	LENGTH	REMARKS	WT	PROCUREMENT NOTES
						FT			
						INCHES			
		GG6A	1		GIRDER			18454	
1	E		1	wa	PL 1/2 x 34	54 8 1/16	M270-50MT2 (H2-3)		
1	J		1	wb	PL 1/2 x 34	43 9 5/16	M270-50MT2 (H2-3)		
1	A		1	ta	PL 1/8 x 16	58 8	M270-50MT2 (H2-3)		
1	C		1	tb	PL 1/8 x 16	39 9 1/16	M270-50MT2 (H2-3)		
1	A		1	ba	PL 1/8 x 16	58 8	M270-50MT2 (H2-3)		
1	C		1	bb	PL 1/8 x 16	39 9 5/16	M270-50MT2 (H2-3)		
2	G		2	x2a	PL 7/8 x 7 1/2	2 10'	MIE BEV		
2	G		1	x2f	PL 7/8 x 7 1/2	2 10'	MIE BEV		
2	G		1	x2g	PL 7/8 x 7 1/2	2 10'	MIE BEV		
2	H		5	x2n	PL 1/2 x 7	2 10'			
2	H		8	x2t	PL 2 x 7	2 10'			

FOR FIELD SPLICE XIMI
DETAILS SEE SHT XI

ONE - GIRDER - GG6A

FOR FIELD SPLICE & STANDARD DETAILS SEE X SHEETS
FOR CAMBER & FLANGE DIAGRAM SEE SHEET C1
FOR GENERAL NOTES SEE SHEET GNI



RECEIVED
CHK'D BY DRP, OK'D BY CWC
JUN 26 2009
RESUBMIT APPROVED AS NOTED
BY CWC DATE 7-13-09

REV.	DATE	REMARKS	DMN	CHK	APVL	SHOP
0						
		MATERIAL: M270-50W (UN)				SHOP BOLTS: NONE
		SURFACE PREP. & PAINT: SEE GNI				
		HOLES: 5/16 U.N.				
DESCRIPTION: GIRDER - GG6A						
CASCO BAY STEEL STRUCTURES, INC. 75 SPRING HILL ROAD SACO, MAINE 04072 PHONE (207) 282-7360 FAX. (207) 282-1179						
STRUCTURE: VT 11 OVER BLACK RIVER BRIDGE NO. 64 SPRINGFIELD, VERMONT COUNTY OF WINDSOR			DRAWN: HJF CHKD: DO		DATE: 06/12 DATE: 06/23	
LOCATION: TOWN OF SPRINGFIELD			JOB NO. 406-1		DWG NO. 6	
PROJ. NO. BHF 016-2(14)						
CUSTOMER: COLD RIVER BRIDGES, LLC					REV. Δ	