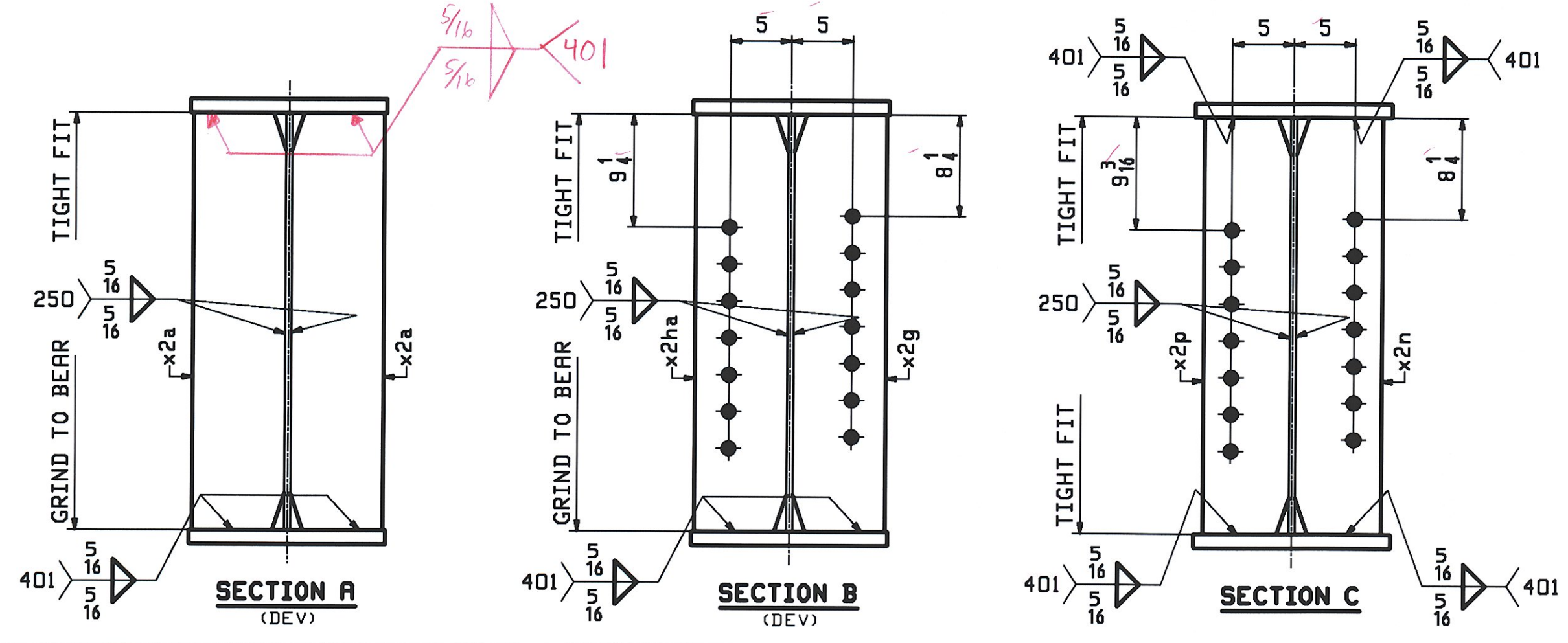
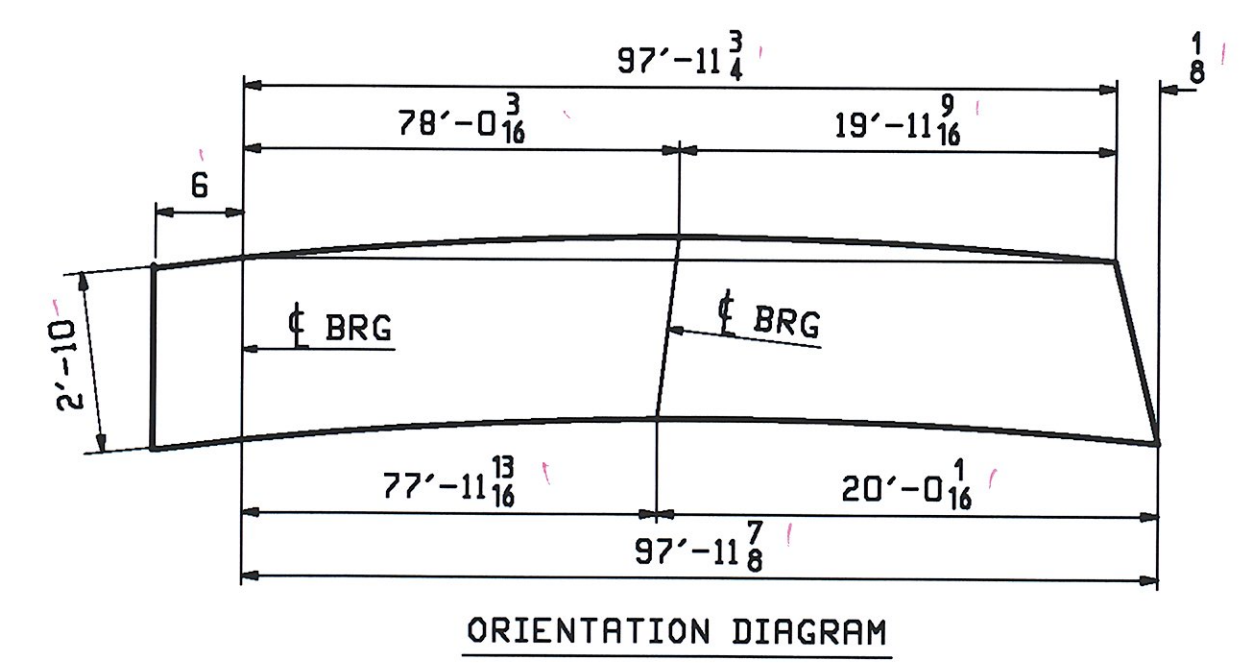
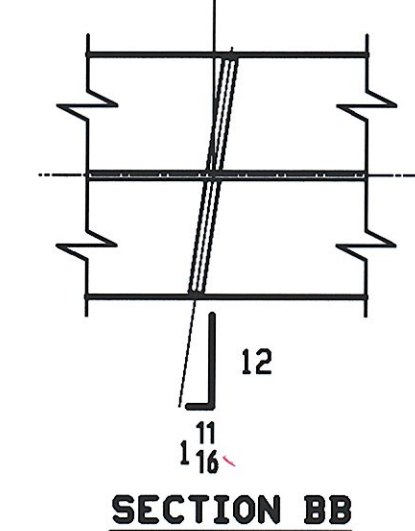
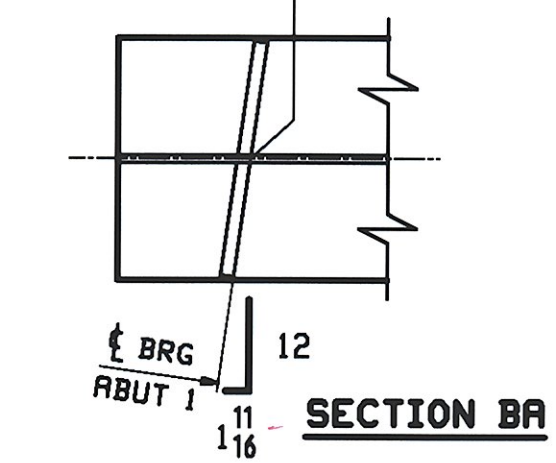


ABM INFO		SHIP		BILL OF MATERIAL				JOB NO.		DRAWING NO.		REV.
								406-1		5		
PAGE	LINE	MARK	QTY	MARK	MATERIAL	LENGTH		REMARKS	WT	PROCUREMENT NOTES		
						FT	INCHES					
		SG5A	1		GIRDER				18353			
1	E		1	wa	PL 1/2 x 34	54	0 1/16	M270-50MT2 (H2-3)				
1	J		1	wb	PL 1/2 x 34	43	0 1/16	M270-50MT2 (H2-3)				
1	A		1	ta	PL 1 1/8 x 16	58	8 1/16	M270-50MT2 (H2-3)				
1	C		1	tb	PL 1 1/8 x 16	39	9 3/4	M270-50MT2 (H2-3)				
1	A		1	ba	PL 1 1/8 x 16	58	8 1/16	M270-50MT2 (H2-3)				
1	C		1	bb	PL 1 1/8 x 16	39	9 7/8	M270-50MT2 (H2-3)				
2	G		2	x2a	PL 7/8 x 7 1/2	2	10	MIE BEV				
2	G		1	x2g	PL 7/8 x 7 1/2	2	10	MIE BEV				
2	G		1	x2ha	PL 7/8 x 7 1/2	2	10	MIE BEV				
2	H		5	x2n	PL 1/2 x 7	2	10					
2	H		5	x2p	PL 1/2 x 7	2	10					

ONE - GIRDER - 5G5A

FOR FIELD SPLICE & STANDARD DETAILS SEE X SHEETS
 FOR CAMBER & FLANGE DIAGRAM SEE SHEET C1
 FOR GENERAL NOTES SEE SHEET GNI

FOR FIELD SPLICE XIMI
 DETAILS SEE SHT XI



RECEIVED
 JUN 26 2009
 APPROVED AS NOTED
 DATE 7-13-09

REV.	DATE	REMARKS	DMN	CHK	APVL	SHOP
0						
MATERIAL:		SURFACE PREP. & PRINT:		HOLES:		SHOP BOLTS:
M270-50W (UN)		SEE GNI		5/16" Ø U.N.		NONE
DESCRIPTION: GIRDER - 5G5A						
CASCO BAY STEEL STRUCTURES, INC. 75 SPRING HILL ROAD SACO, MAINE 04072 PHONE (207) 282-7360 FAX. (207) 282-1179						
STRUCTURE: VT 11 OVER BLACK RIVER BRIDGE NO. 64 SPRINGFIELD, VERMONT COUNTY OF WINDSOR				DRAWN:	DATE:	
				WJF	06/12	
				CHKD:	DATE:	
				DO	06/23	
LOCATION: TOWN OF SPRINGFIELD			JOB NO.	DWG NO.		
PROJ NO. BHF 016-2(14)			406-1	5		
CUSTOMER: COLD RIVER BRIDGES, LLC				REV. Δ		