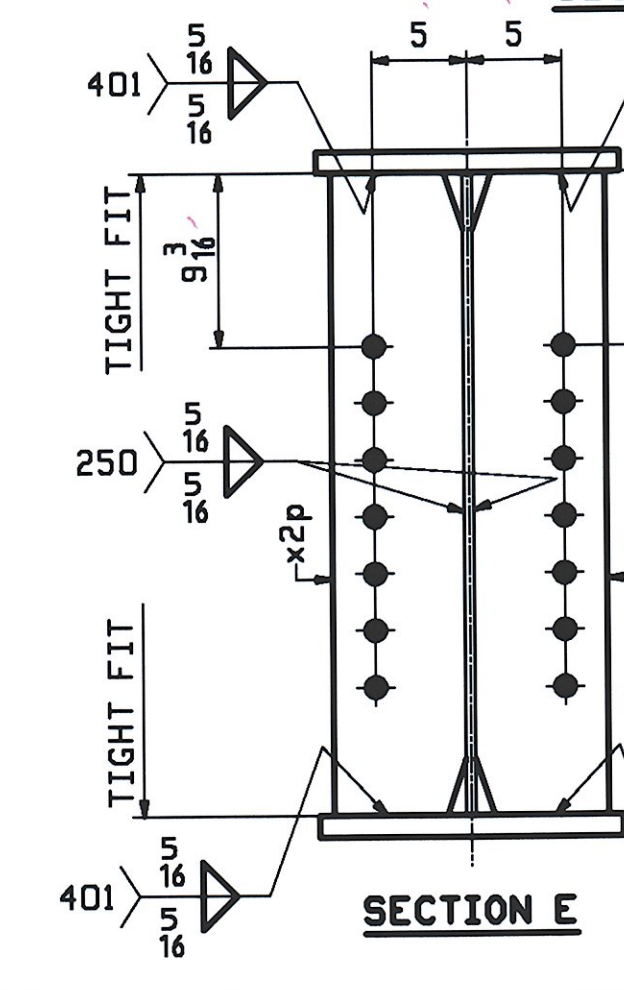
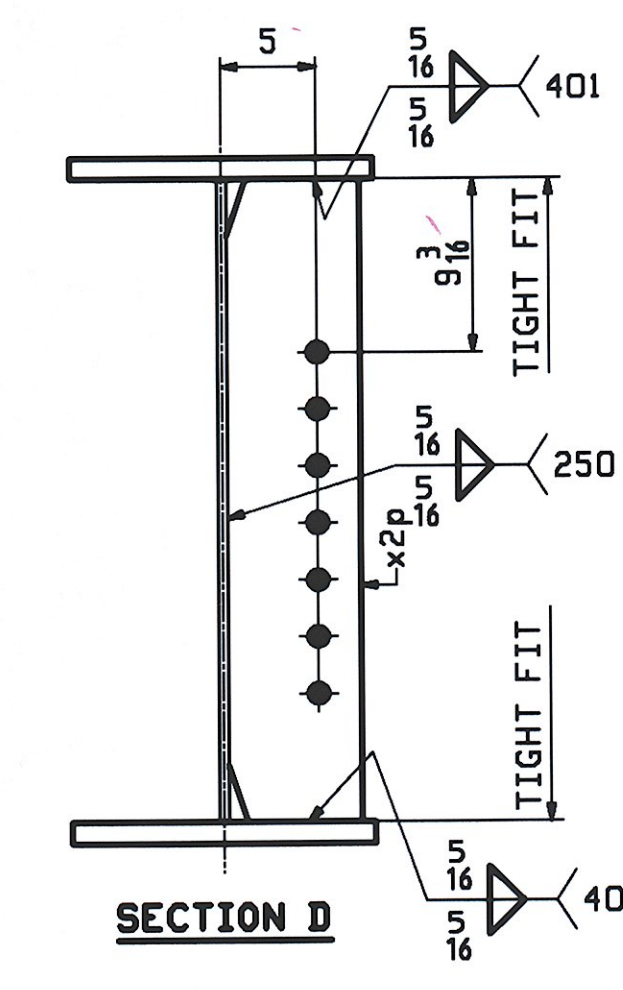
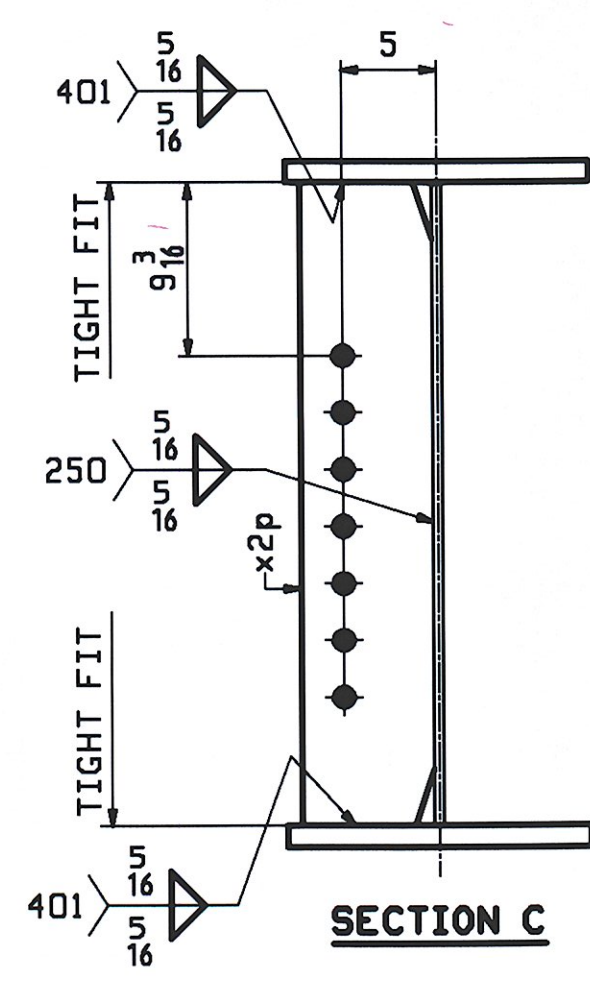
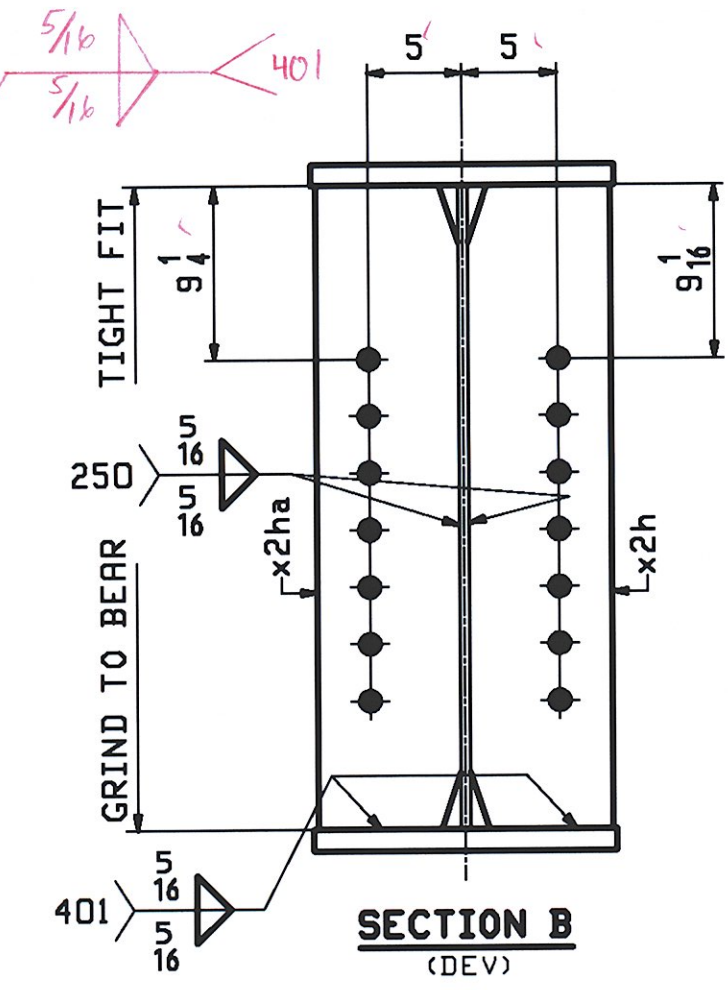
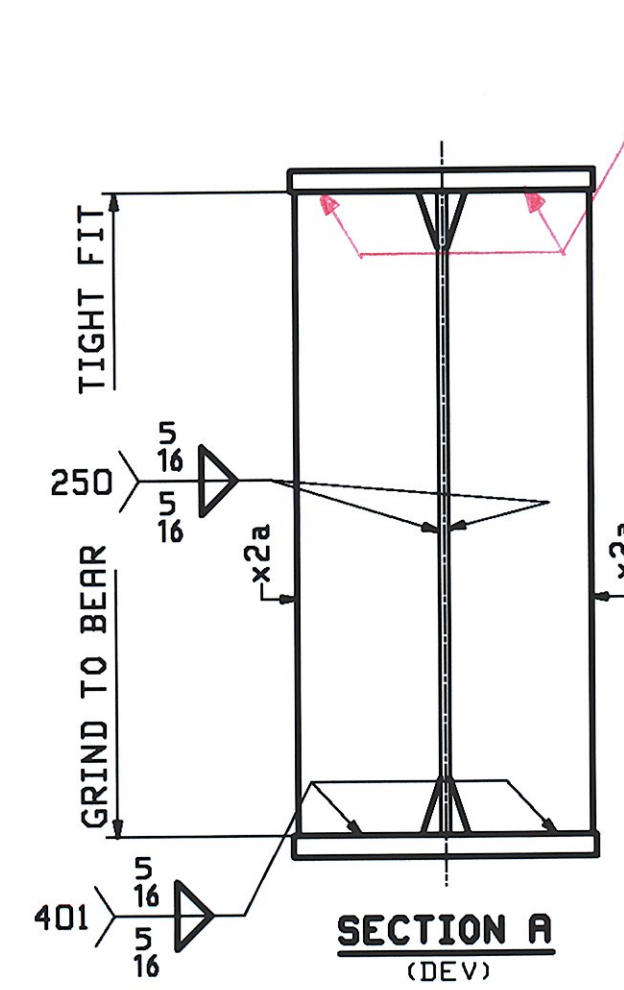
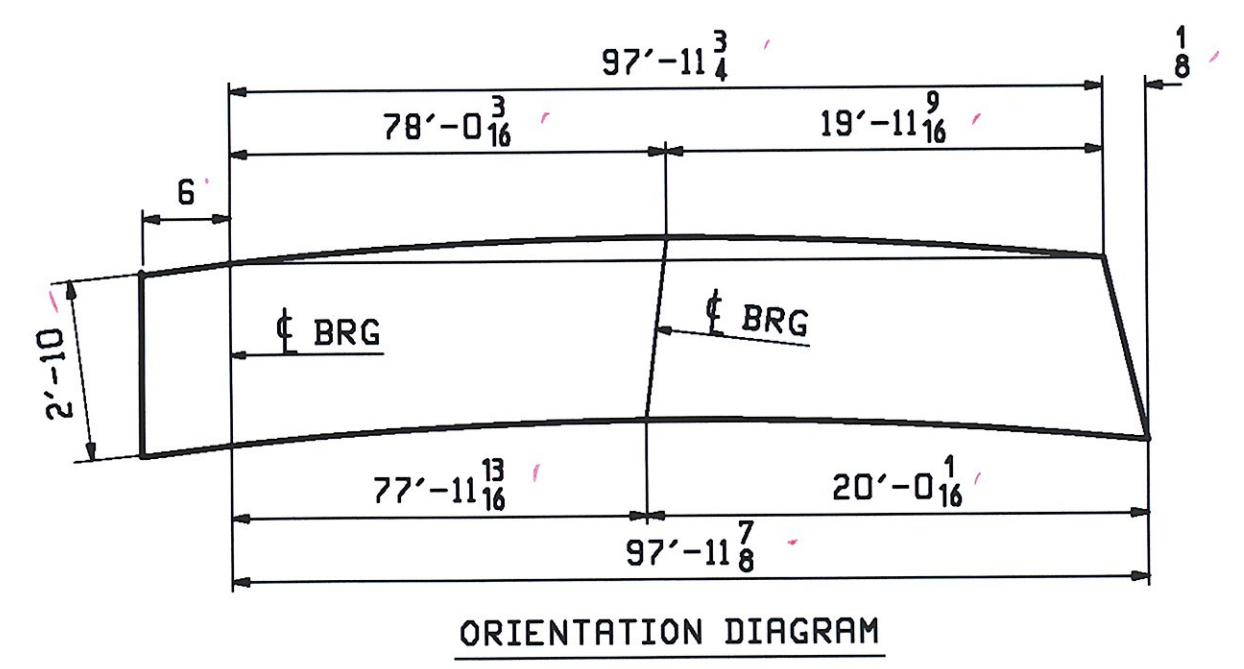
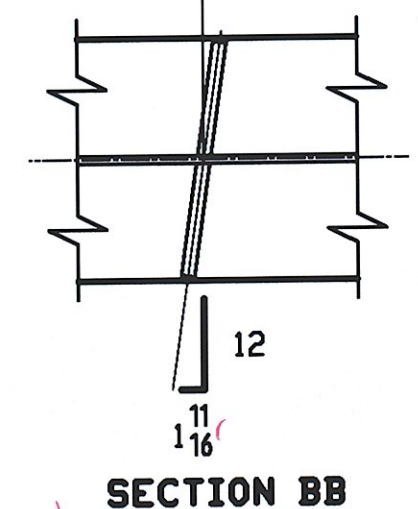
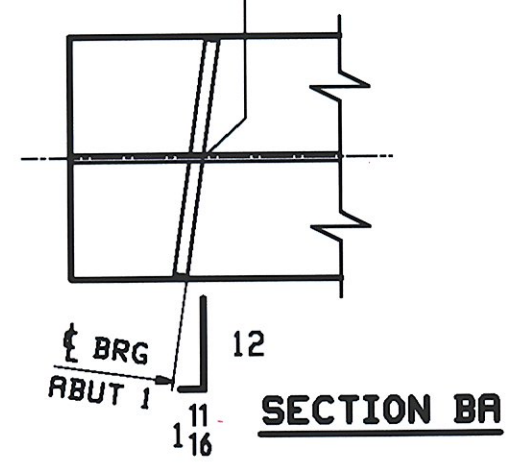


FOR FIELD SPLICE XIMI DETAILS SEE SHT XI

**ONE - GIRDER - 4G4A**

FOR FIELD SPLICE & STANDARD DETAILS SEE X SHEETS  
 FOR CAMBER & FLANGE DIAGRAM SEE SHEET C1  
 FOR GENERAL NOTES SEE SHEET GNI



RECEIVED  
 OK'D BY *DRP* OK'D BY *AWC*  
 JUN 26 2009  
 RESUBMIT APPROVED AS NOTED  
 BY *AWC* DATE 7.13.09

ABN INFO		SHIP		BILL OF MATERIAL		JOB NO.		DRAWING NO.		REV.
						406-1		4		
PAGE	LINE	MARK	QTY	MARK	MATERIAL	LENGTH FT	INCHES	REMARKS	MT	PROCUREMENT NOTES
		4G4A	1		GIRDER					18353
1	E		1	wa	PL 1/2 x 34	54	8 1/8	M270-SQHT2 (H2-3)		
1	J		1	wb	PL 1/2 x 34	43	9 5/8	M270-SQHT2 (H2-3)		
1	A		1	ta	PL 1/8 x 16	58	8	M270-SQHT2 (H2-3)		
1	C		1	tb	PL 1/8 x 16	39	9 3/4	M270-SQHT2 (H2-3)		
1	A		1	ba	PL 1/8 x 16	58	8	M270-SQHT2 (H2-3)		
1	C		1	bb	PL 1/8 x 16	39	9 7/8	M270-SQHT2 (H2-3)		
2	G		2	x2a	PL 7/8 x 7 1/2	2	10	MIE BEV		
2	G		1	x2h	PL 7/8 x 7 1/2	2	10	MIE BEV		
2	H		10	x2p	PL 1/2 x 7	2	10			
2	G		1	x2ha	PL 7/8 x 7 1/2	2	10	MIE BEV		

REV.	DATE	REMARKS	DMN	CHK	APVL	SHOP
0						

MATERIAL: M270-50W (UN) SURFACE PREP. & PRINT: SEE GNI HOLES: 15/16" Ø U.N. SHOP BOLTS: NONE

DESCRIPTION: GIRDER - 4G4A

CASCO BAY STEEL STRUCTURES, INC.  
 75 SPRING HILL ROAD SACO, MAINE 04072  
 PHONE (207) 282-7360 FAX. (207) 282-1179

STRUCTURE: VT 11 OVER BLACK RIVER BRIDGE NO. 64 SPRINGFIELD, VERMONT COUNTY OF WINDSOR

LOCATION: TOWN OF SPRINGFIELD

PROJ NO. BHF 016-2(14)

CUSTOMER: COLD RIVER BRIDGES, LLC

DRAWN: WJF DATE: 06/12  
 CHKD: DO DATE: 06/22

JOB NO. 406-1 DWG NO. 4

REV. 1

13 JUN 2009 09:52:38 PM C:\msd2\p02\2009\11\11\406-1.dwg