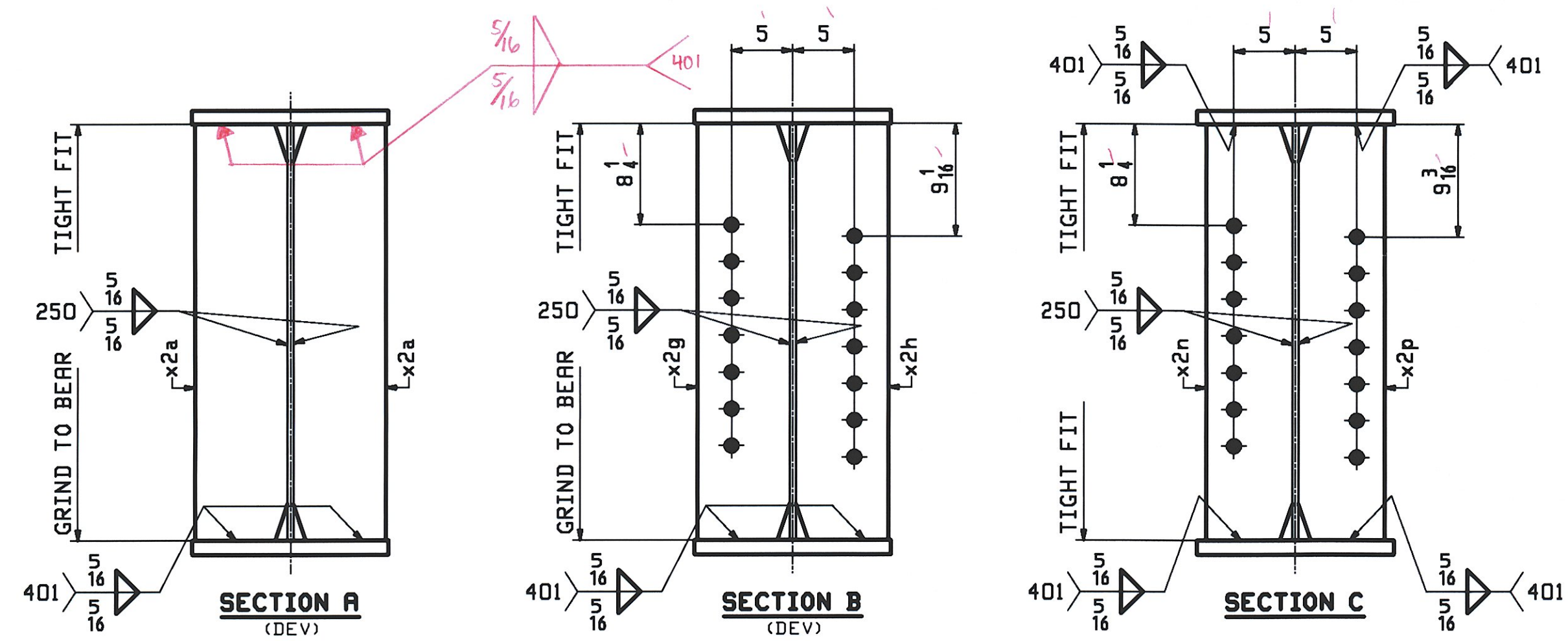
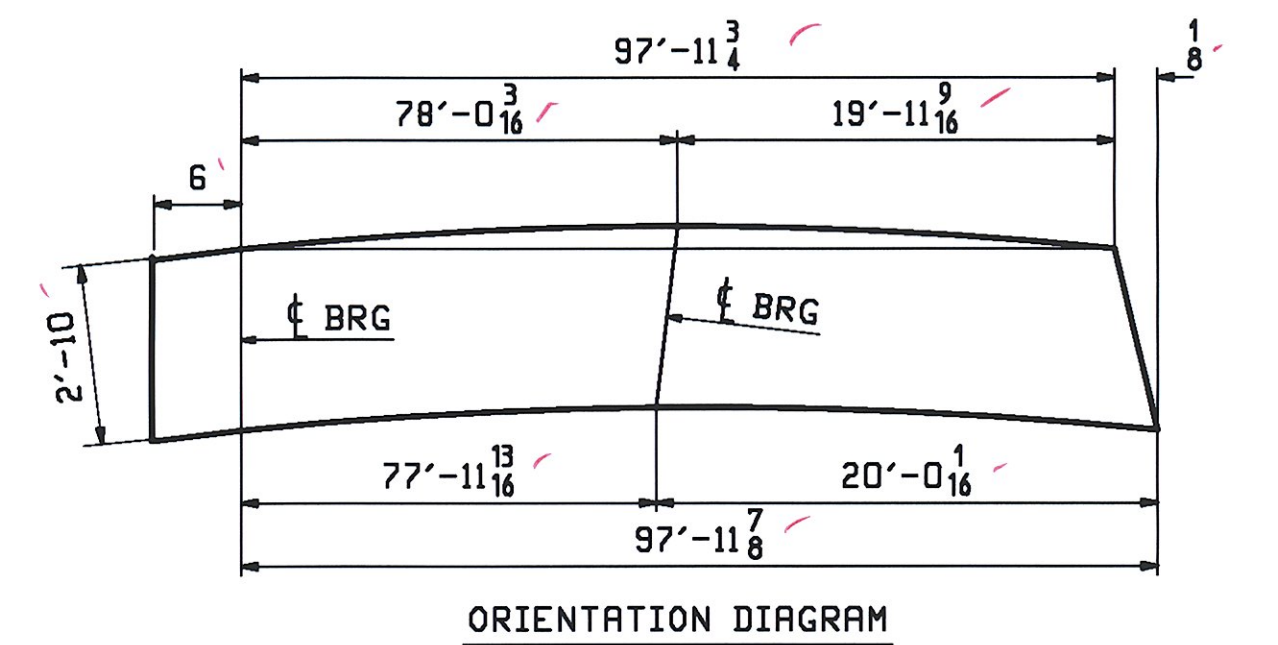
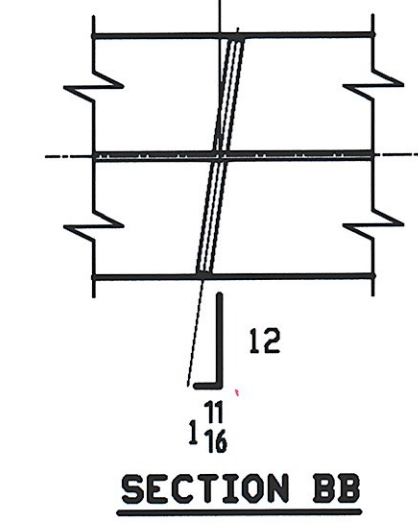
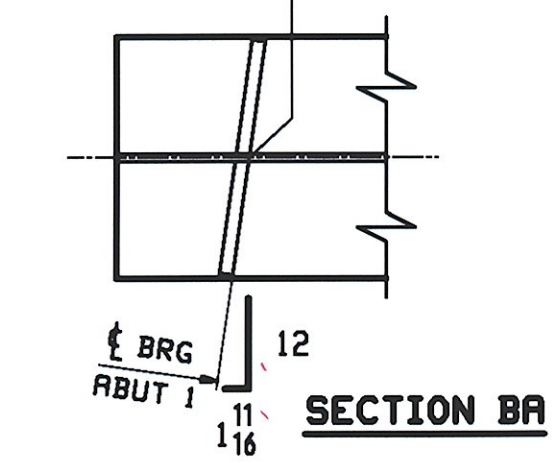


ABM INFO		BILL OF MATERIAL				JOB NO.	DRAWING NO.	REV.	
PAGE	LINE	MARK	QTY	MARK	MATERIAL	LENGTH FT INCHES	REMARKS	WT	PROCUREMENT NOTES
		3G3A	1		GIRDER			18353	
1	E		1	wa	PL 1/2 x 34	54 8/16	M270-50WT2 (H2-3)		
1	J		1	wb	PL 1/2 x 34	43 9/16	M270-50WT2 (H2-3)		
1	A		1	ta	PL 1/8 x 16	58 8	M270-50WT2 (H2-3)		
1	C		1	tb	PL 1/8 x 16	39 9 3/4	M270-50WT2 (H2-3)		
1	A		1	ba	PL 1/8 x 16	58 8	M270-50WT2 (H2-3)		
1	C		1	bb	PL 1/8 x 16	39 9 3/4	M270-50WT2 (H2-3)		
2	G		2	x2a	PL 7/8 x 7 1/2	2 10	MIE BEV		
2	G		1	x2g	PL 7/8 x 7 1/2	2 10	MIE BEV		
2	G		1	x2h	PL 7/8 x 7 1/2	2 10	MIE BEV		
2	H		5	x2n	PL 1/2 x 7	2 10			
2	H		5	x2p	PL 1/2 x 7	2 10			

FOR FIELD SPLICE XIMI DETAILS SEE SHT XI

**ONE - GIRDER - 3G3A**

FOR FIELD SPLICE & STANDARD DETAILS SEE X SHEETS  
FOR CAMBER & FLANGE DIAGRAM SEE SHEET CI  
FOR GENERAL NOTES SEE SHEET GNI



RECEIVED  
 JUN 26 2009  
 APPROVED AS NOTED  
 DATE 7-13-09

REV.	DATE	REMARKS	DWN	CHK	APVL	SHOP
0						
MATERIAL:		SURFACE PREP. & PAINT:	HOLES:		SHOP BOLTS:	
M270-50W (UN)		SEE GNI	15/16" Ø U.N.		NONE	
DESCRIPTION: GIRDER - 3G3A						
CASCO BAY STEEL STRUCTURES, INC. 75 SPRING HILL ROAD SACO, MAINE 04072 PHONE (207) 282-7360 FAX. (207) 282-1179						
STRUCTURE: VT 11 OVER BLACK RIVER BRIDGE NO. 64 SPRINGFIELD, VERMONT COUNTY OF WINDSOR				DRAWN:	DATE:	
				WJF	06/12	
				CHKD:	DATE:	
				DO	06/22	
LOCATION: TOWN OF SPRINGFIELD			JOB NO.	DWG NO.		
PROJ. NO. BHF 016-2(14)			406-1	3		
CUSTOMER: COLD RIVER BRIDGES, LLC				REV. ▲		