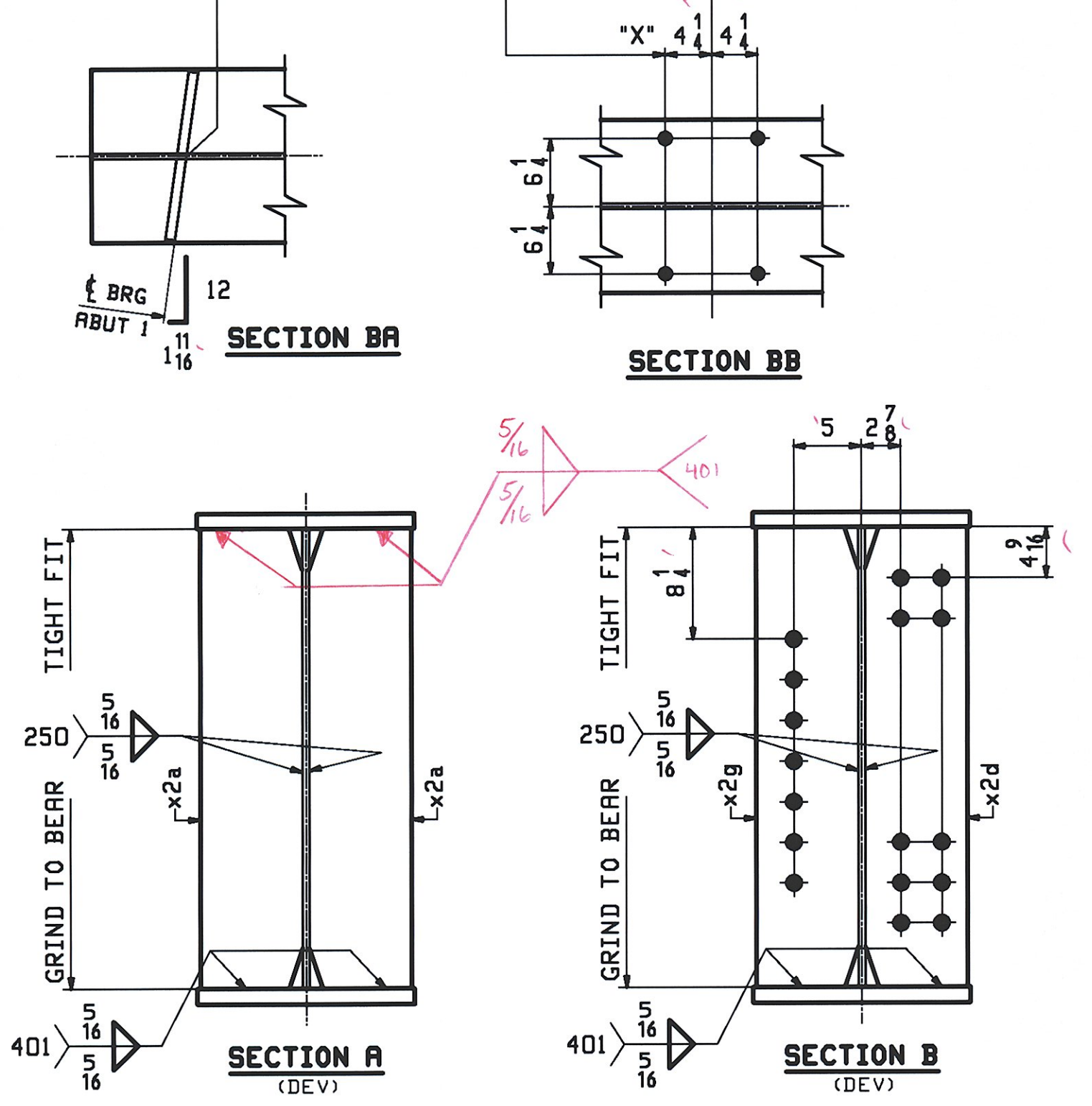


ABM INFO		BILL OF MATERIAL				JOB NO.		DRAWING NO.		REV.
PAGE	LINE	MARK	QTY	MARK	MATERIAL	LENGTH		REMARKS	MT	PROCUREMENT NOTES
						FT	INCHES			
		2G2A	1		GIRDER				18453	
1	E		1	wa	PL 1/2 x 34	54	8 1/8	M270-SQHT2 (H2-3)		
1	J		1	wb	PL 1/2 x 34	43	9 7/8	M270-SQHT2 (H2-3)		
1	A		1	ta	PL 1/8 x 16	58	8	M270-SQHT2 (H2-3)		
1	C		1	tb	PL 1/8 x 16	39	9 3/4	M270-SQHT2 (H2-3)		
1	A		1	ba	PL 1/8 x 16	58	8	M270-SQHT2 (H2-3)		
1	C		1	bb	PL 1/8 x 16	39	9 3/4	M270-SQHT2 (H2-3)		
2	G		2	x2a	PL 7/8 x 7 1/2	2	10	MIE BEV		
2	G		1	x2d	PL 7/8 x 7 1/2	2	10	MIE BEV		
2	G		1	x2g	PL 7/8 x 7 1/2	2	10	MIE BEV		
2	H		8	x2m	PL 1/2 x 7	2	10			
2	H		5	x2n	PL 1/2 x 7	2	10			

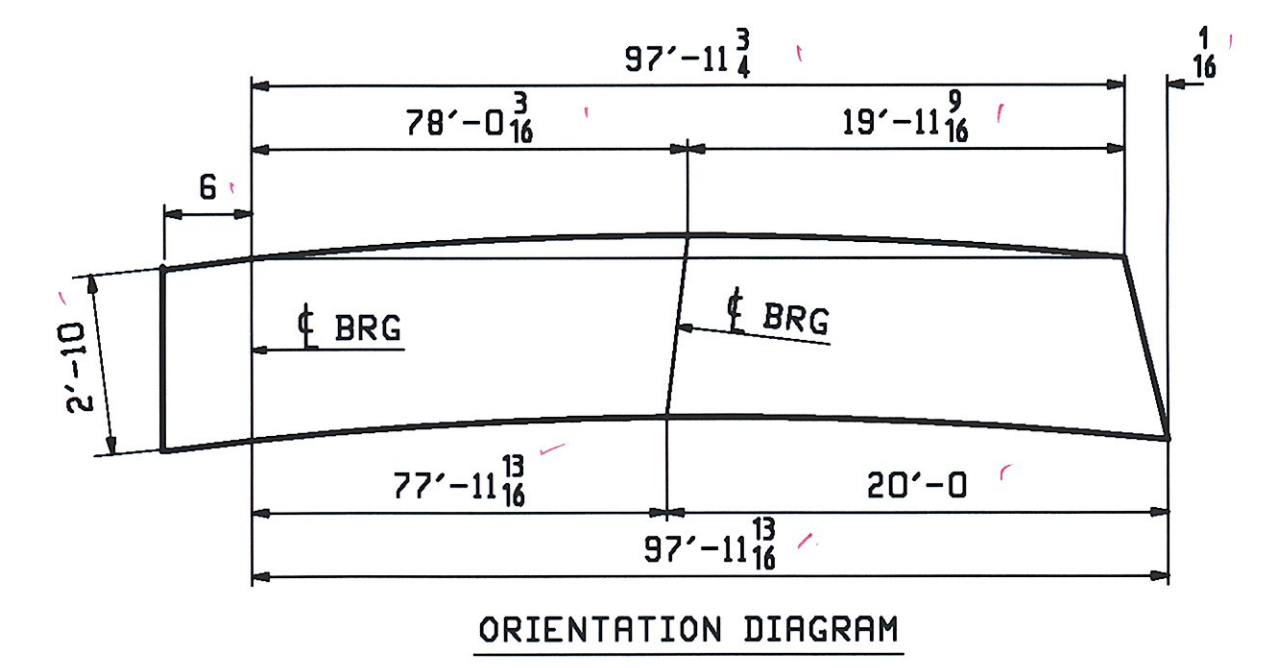
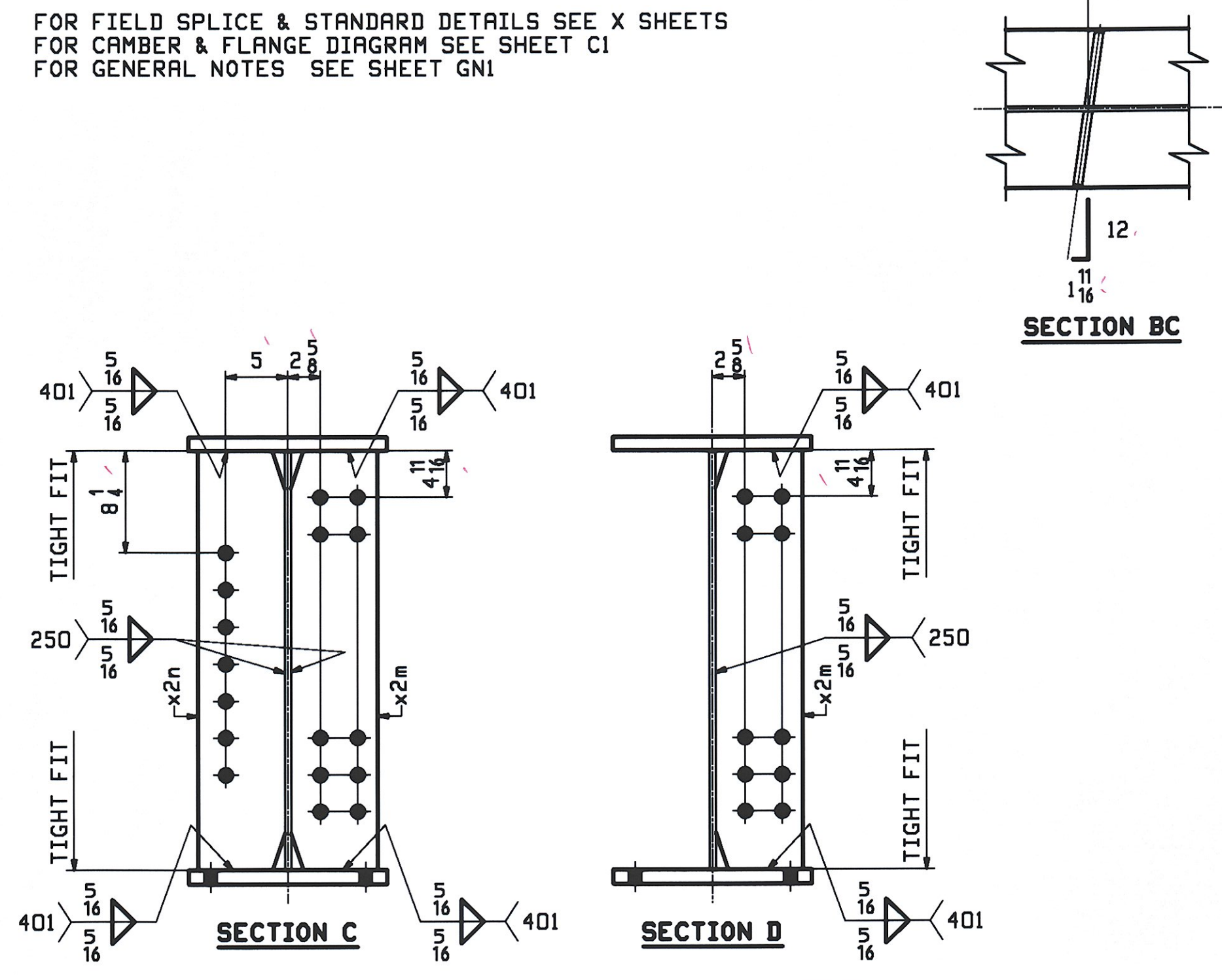
FOR FIELD SPLICE XIMI DETAILS SEE SHT XI

ONE - GIRDER - 2G2A

FOR FIELD SPLICE & STANDARD DETAILS SEE X SHEETS
 FOR CAMBER & FLANGE DIAGRAM SEE SHEET C1
 FOR GENERAL NOTES SEE SHEET GNI



"X"
14'-2 5/8
24'-2 5/8
34'-2 5/8
44'-2 5/8
54'-2 5/8
64'-2 5/8
74'-2 5/8
84'-2 5/8
94'-2 5/8



REV.	DATE	REMARKS	DMN	CHK	APVL	SHOP
0						
MATERIAL:		SURFACE PREP. & PAINT:		HOLES:		SHOP BOLTS:
M270-SOW (UN)		SEE GNI		15/16" U.N.		NONE
DESCRIPTION: GIRDER - 2G2A						
CASCO BAY STEEL STRUCTURES, INC. 75 SPRING HILL ROAD PHONE (207) 282-7360						SACO, MAINE 04072 FAX. (207) 282-1179
STRUCTURE: VT 11 OVER BLACK RIVER BRIDGE NO. 64 SPRINGFIELD, VERMONT COUNTY OF WINDSOR				DRAWN: WJF	DATE: 06/12	
LOCATION: TOWN OF SPRINGFIELD				CHKD: DO	DATE: 06/22	
PROJ NO. BHF 016-2(14)			JOB NO. 406-1		DWG NO. 2	
CUSTOMER: COLD RIVER BRIDGES, LLC					REV. 1	

RECEIVED
 JUN 26 2009
 APPROVED AS NOTED
 DATE 7-13-09

Thu Jun 25 2009 09:20:34 PM
 C:\PLOT\JOB\2827360\2827360.DWG