

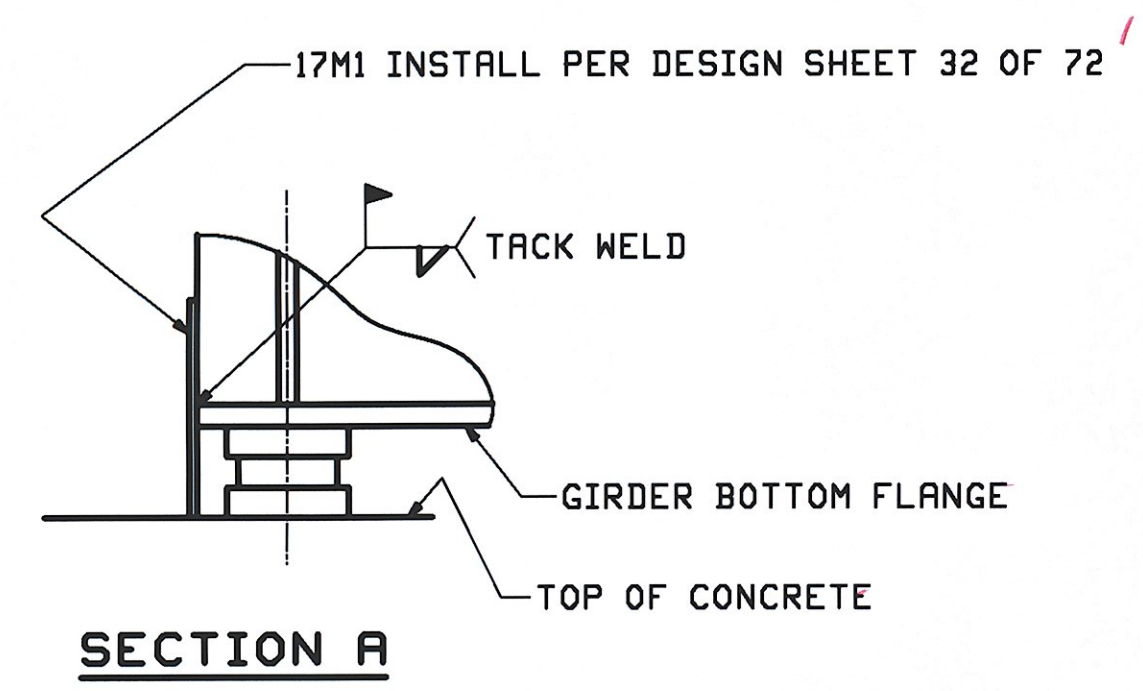
6 @ 7'-9" = 46'-6"

OF VT II

STAGE 2, STAGE 1

1'-4 1/2 TYP

17M1 (TYP 14 PLACES)



**FRAMING PLAN**

NOTE:  
WORK THIS DRAWING WITH DRAWING E2.

REV.	DATE	REMARKS	DWN	CHK	APVL	SHOP
0						
MATERIAL:		SURFACE PREP. & PAINT:		HOLES:		SHOP BOLTS:
DESCRIPTION: FRAMING PLAN						
CASCO BAY STEEL STRUCTURES, INC. 75 SPRING HILL ROAD SACO, MAINE 04072 PHONE (207) 282-7360 FAX. (207) 282-1179						
STRUCTURE: VT 11 OVER BLACK RIVER BRIDGE NO. 64 SPRINGFIELD, VERMONT COUNTY OF WINDSOR				DRAWN: WJF	DATE: 06/12	
				CHKD: DO	DATE: 06/24	
LOCATION: TOWN OF SPRINGFIELD				JOB NO.	DWG NO.	
PROJ NO. BHF 016-2(14)				406-1		E1
CUSTOMER: COLD RIVER BRIDGES, LLC						REV. A

RECEIVED  
 CVD BY DRP OK'D BY AWC  
 JUN 26 2009  
 RESUBMIT APPROVED  
 BY AWC DATE 7-17-09

10 Thu Jun 25 2009 09:58:44 PM C:\msdcs\apps\2009\251111.dwg