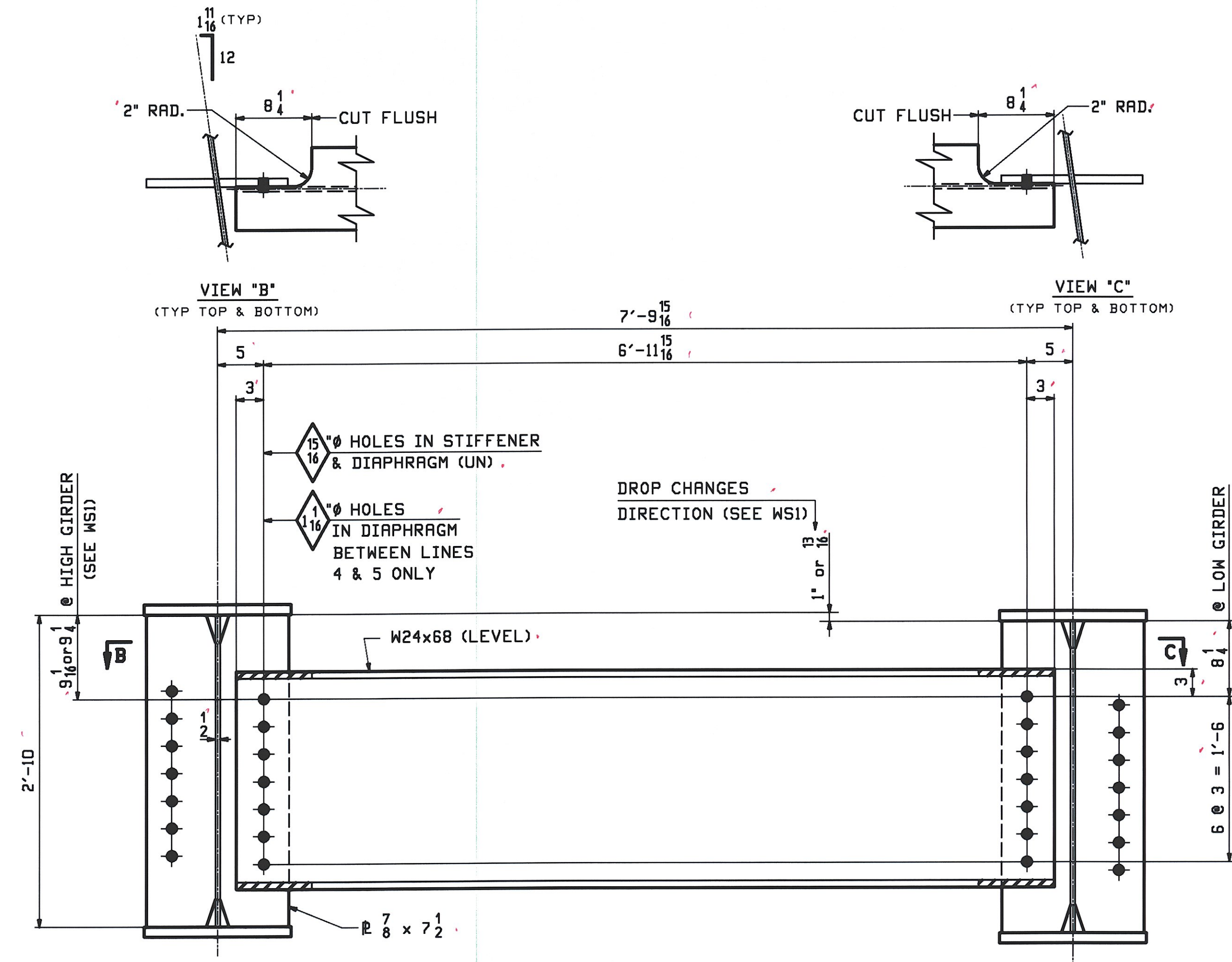


DIAPHRAGM - TYPE D1
LOOKING BACK STATION (RE: DES 28A/72)



DIAPHRAGM - TYPE D2
LOOKING BACK STATION @ PIER 1 (RE: DES 28A/72)

RECEIVED
 C'D BY *DRP* OK'D BY *owl*
 JUN 24 2009
 RESUBMIT _____ APPROVED _____
 BY *owl* DATE 7-13-09

**** NOTE ****
 THE PURPOSE OF THIS DRAWING IS TO COORDINATE GEOMETRIC CONTROL INFORMATION AND CONNECTION SPACING. THIS DWG IS SUBMITTED FOR INFORMATION ONLY & IS NOT INTENDED FOR SHOP FABRICATION. DETAIL DWGS WILL SHOW ALL WELDING AND DIMENSIONS REQ'D FOR FABRICATION.

| | | | | | | |
|---|------|------------------------|-----|-------------|---------------|--------------|
| REV. | DATE | REMARKS | DWN | CHK | APVL | SHOP |
| 0 | | | | | | |
| MATERIAL: | | SURFACE PREP. & PAINT: | | HOLES: | | SHOP BOLTS: |
| M270-50W | | SEE GNI | | 1 1/8" (UN) | | (FIELD) 7/8" |
| DESCRIPTION: LAYOUTS | | | | | | |
| CASCO BAY STEEL STRUCTURES, INC. 75 SPRING HILL ROAD SACO, MAINE 04072 PHONE (207) 282-7360 FAX. (207) 282-1179 | | | | | | |
| STRUCTURE: VT 11 OVER BLACK RIVER BRIDGE NO. 64 SPRINGFIELD, VERMONT COUNTY OF WINDSOR | | | | DRAWN: | DATE: | |
| | | | | WJF | 06/09 | |
| | | | | CHKD: | DATE: | |
| | | | | RLA | 06/13 | |
| LOCATION: TOWN OF SPRINGFIELD | | | | JOB NO. | DWG NO. | |
| PROJ NO. BHF 016-2(14) | | | | 406-1 | TD2 | |
| CUSTOMER: COLD RIVER BRIDGES, LLC | | | | | REV. Δ | |