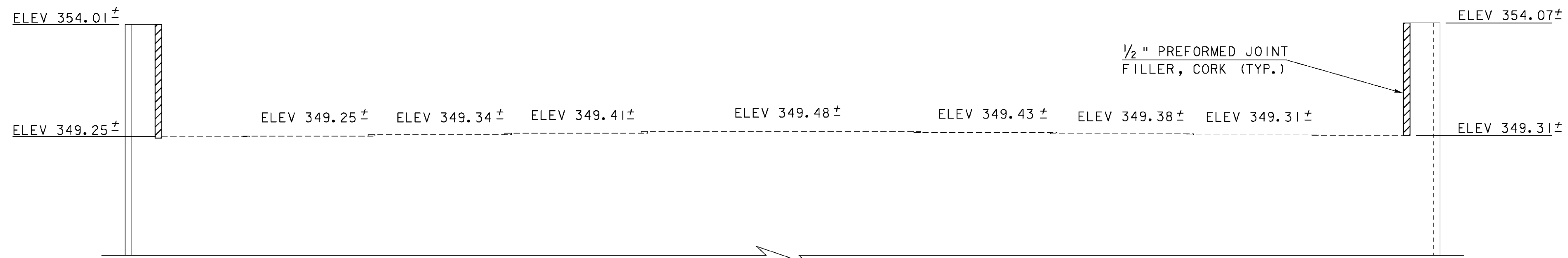
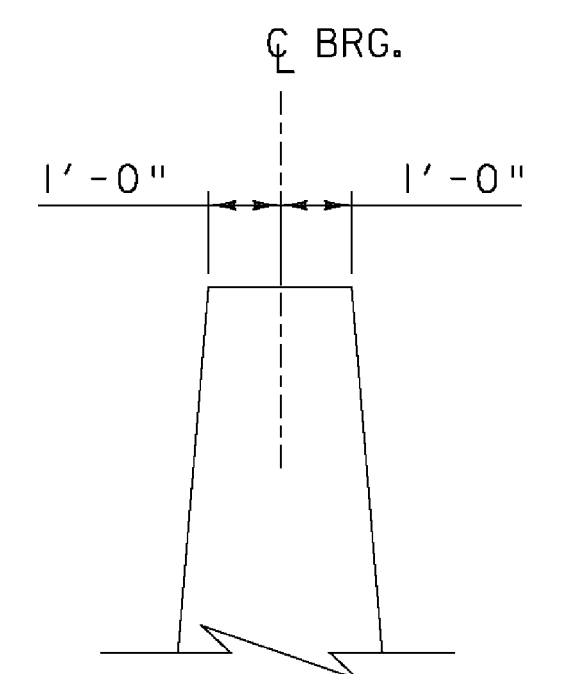


ABUTMENT NO. 1 PLAN
SCALE 3/8" = 1'-0"



ABUTMENT NO. 1 ELEVATION
SCALE 3/8" = 1'-0"



ABUTMENT NO. 1
TYPICAL SECTION
SCALE 3/8" = 1'-0"

EXISTING BRIDGE SEAT ELEVATIONS
POSTED ABOVE BRIDGE SEAT.
PROPOSED BRIDGE SEAT ELEVATION
POSTED BELOW BRIDGE SEAT

REV.	BY	DATE	DESCRIPTION
3	LBB	5/26/09	REVISED GIRDERS

ABUTMENT 1

PROJECT NAME:	SPRINGFIELD	PLOT DATE:	29-MAY-2009
PROJECT NUMBER:	BHF 016-2(14)	DRAWN BY:	D. PETERSON
FILE NAME:	s06j004sub.dgn	CHECKED BY:	C. CARLSON
PROJECT LEADER:	R. WHITCOMB	ABUTMENT NO. 1 DETAILS	SHEET 35 OF 72