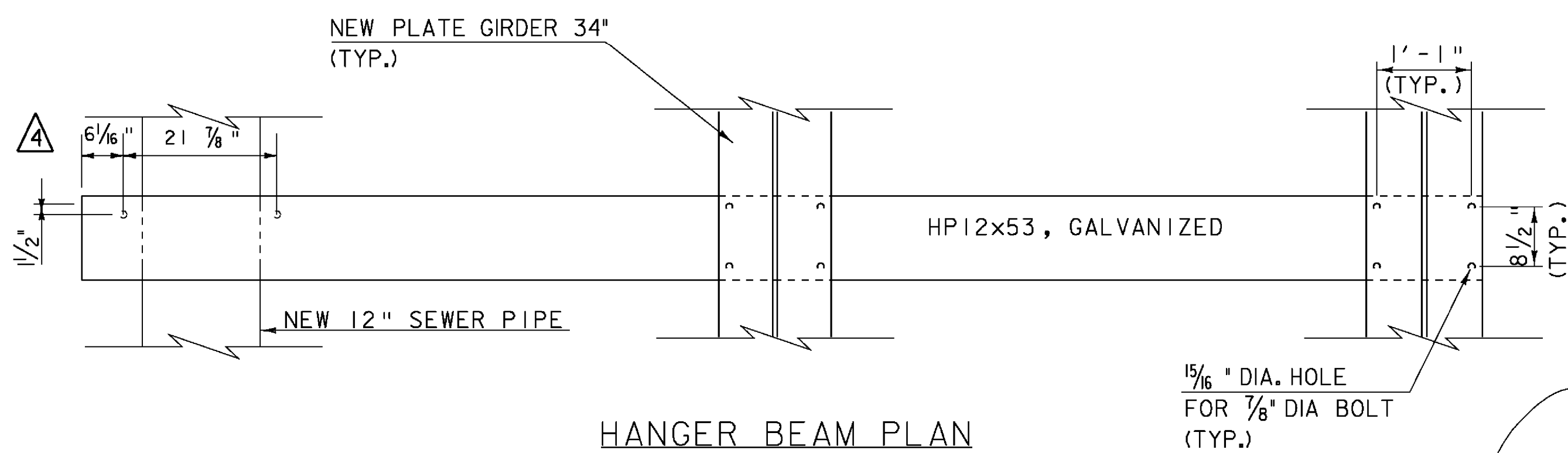
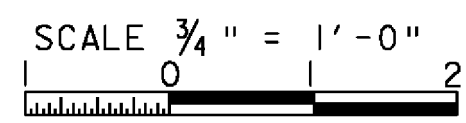
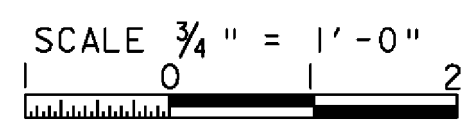


HANGER BEAM ELEVATION



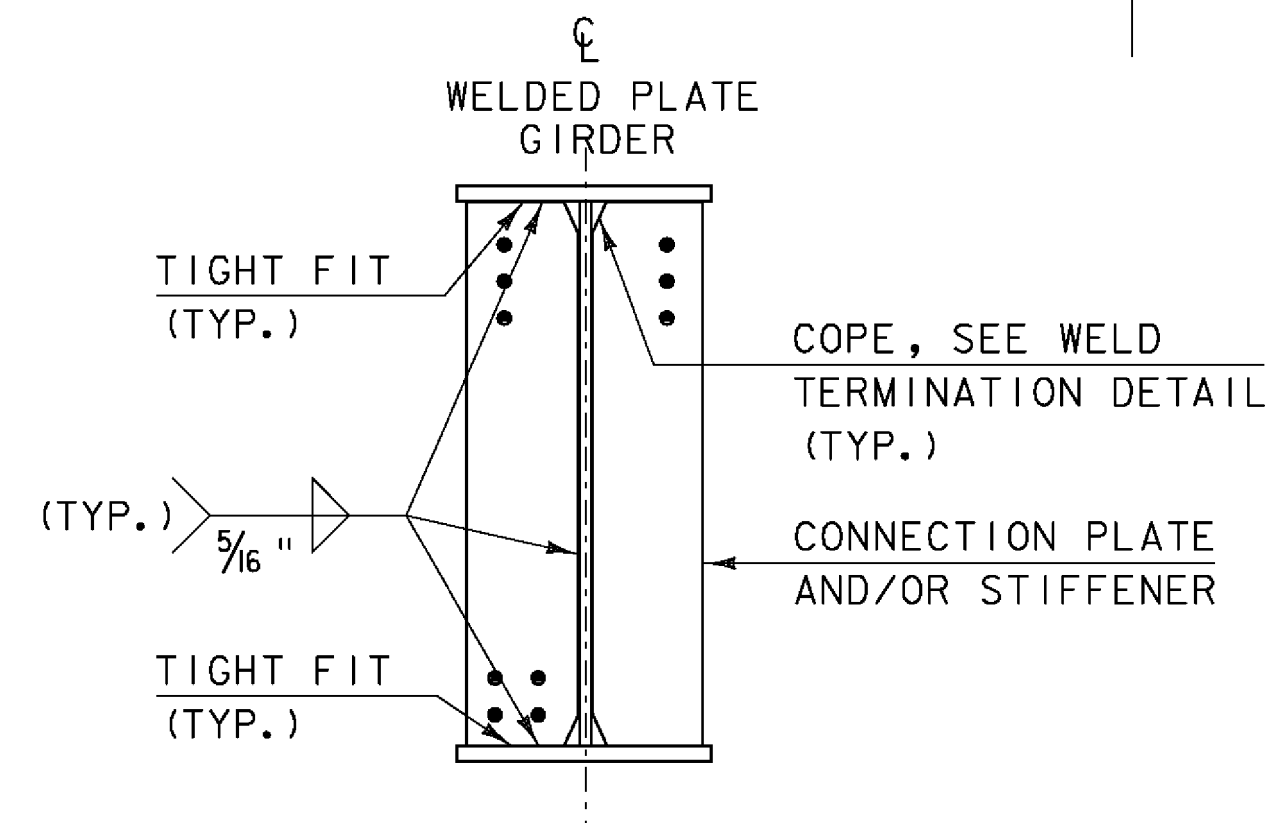
HANGER BEAM PLAN



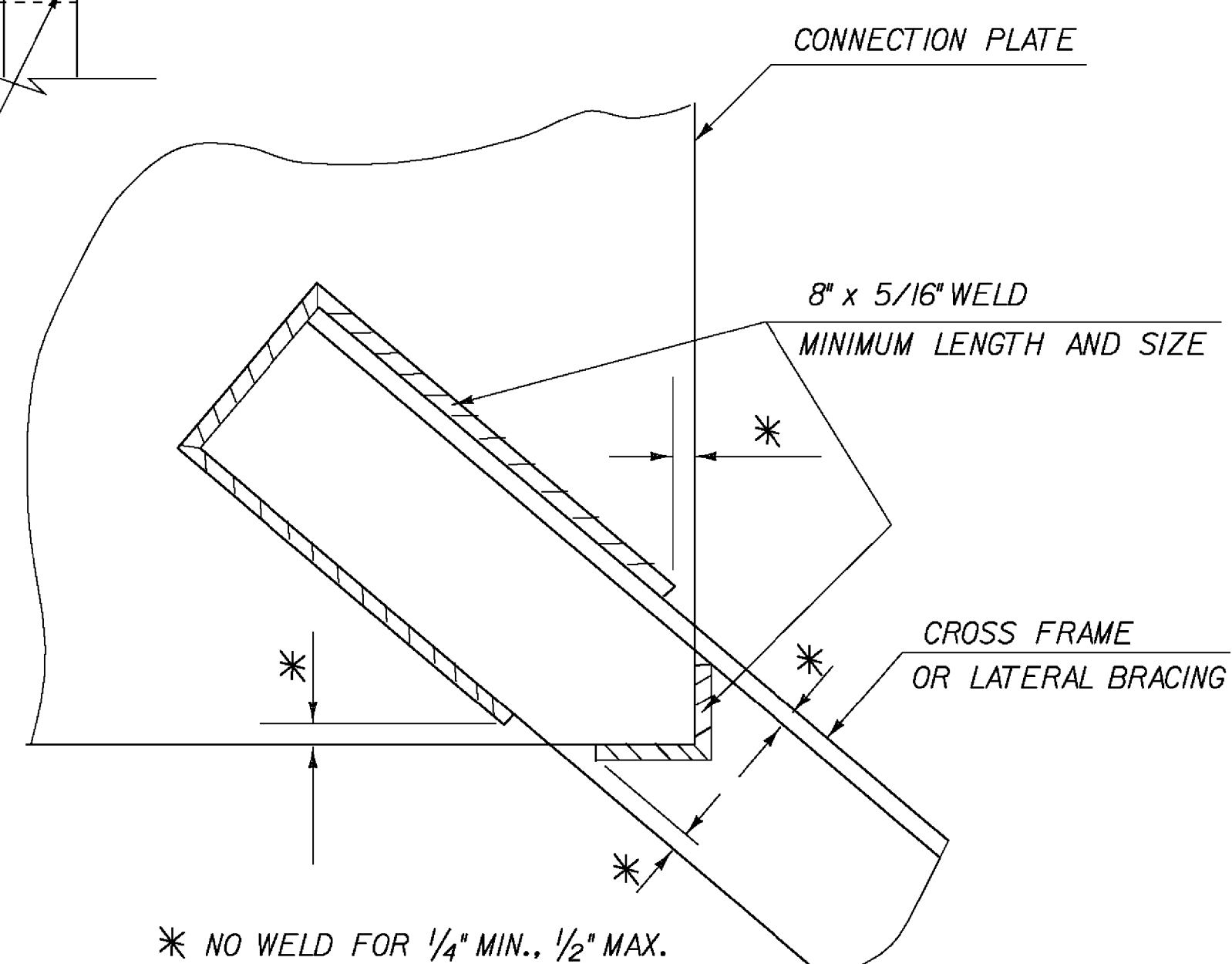
NOTE:
SEWER HANGER BEAMS (SHB) ARE NUMBERED WITH SHBI CLOSEST TO ABUTMENT NO. 1

BEAM #	L (FT)	X (FT)
SHB1	16'-8"	2'-4 3/4"
SHB2	16'-8"	2'-9"
SHB3	16'-8"	3'-1 1/4"
SHB4	16'-8"	3'-5 1/2"
SHB5	16'-8"	3'-9 3/4"
SHB6	16'-8"	4'-0"
SHB7	16'-8"	4'-0"
SHB8	16'-8"	4'-0"
SHB9	16'-8"	4'-0"
SHB10	16'-8"	4'-0"
SHB11	16'-8"	4'-0"
SHB12	16'-8"	4'-0"
SHB13	16'-8"	4'-0"

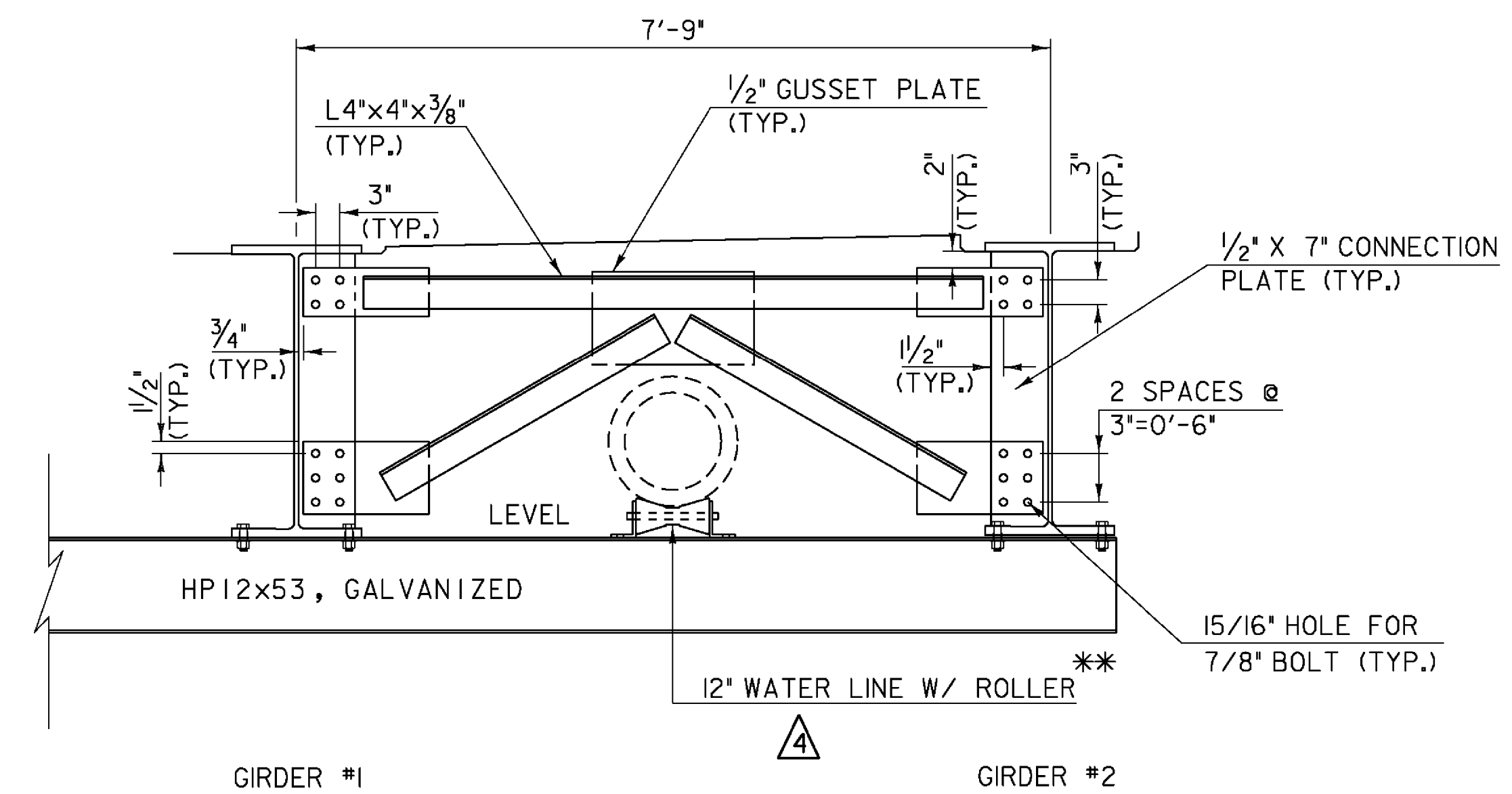
HANGER BEAM SETTING TABLE



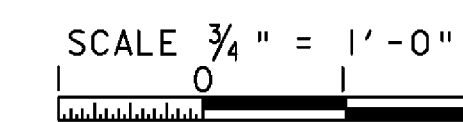
INTERMEDIATE CONNECTION PLATES FOR CROSS FRAME B (NOT TO SCALE)



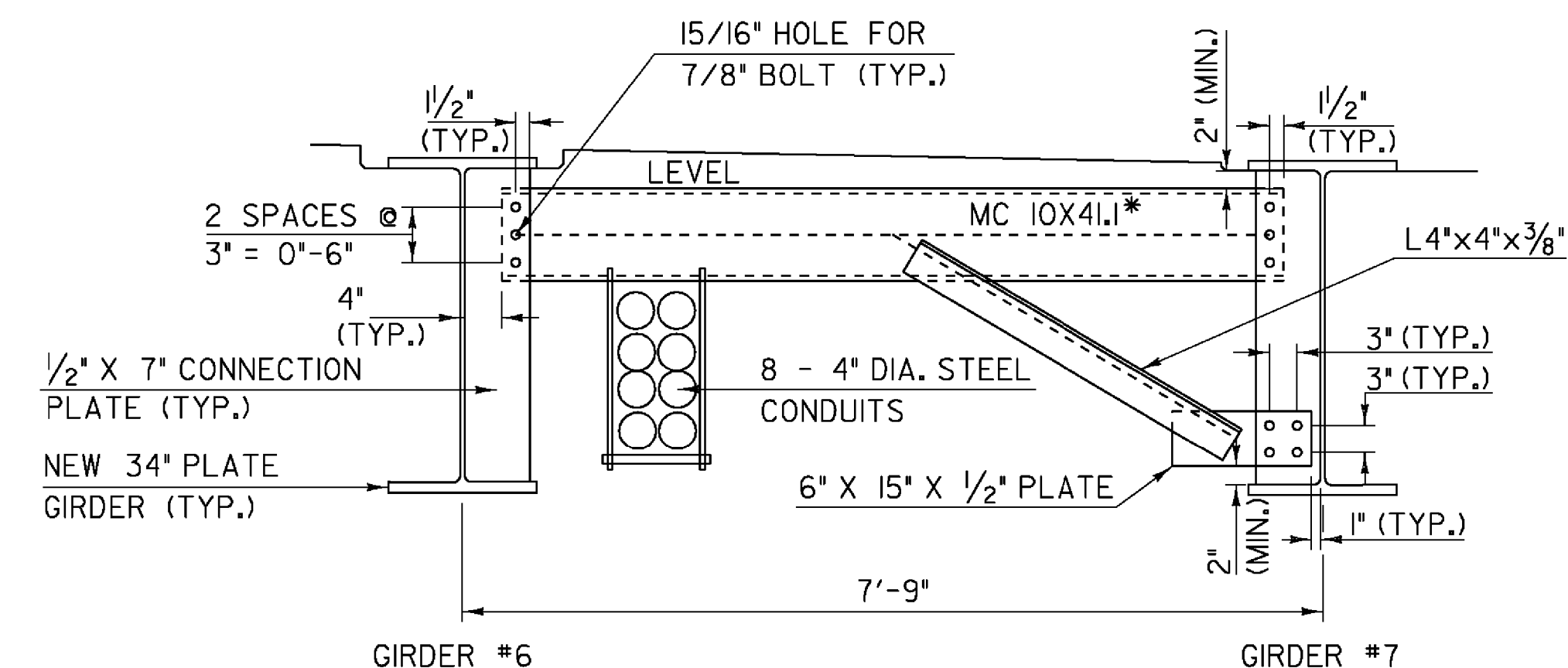
WELD LOCATION DETAIL AT CROSS FRAMES AND LATERAL BRACING



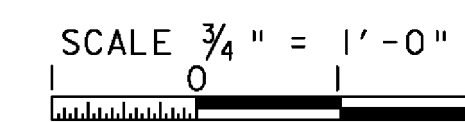
CROSS FRAME A DETAIL



** THE DETAIL FOR CROSS FRAME A APPLIES ONLY IF THE WATERLINE IS MOVED TO THE CENTER OF BAY 1. IF THE WATERLINE IS NOT MOVED THE CONTRACTOR SHALL SUPPLY A LATERAL BRACING SYSTEM BETWEEN GIRDER 1 AND GIRDER 2.



CROSS FRAME B DETAIL



* MC10x41.1 AT THE PIER SHALL BE 7'-1 5/16" LONG.

REV.	BY	DATE	DESCRIPTION
3	LBB	5/26/09	REVISED HANGER AND CROSS FRAME
4	CWC	6/18/09	REVISED SEWER SUPPORT LENGTH

PROJECT NAME: SPRINGFIELD
PROJECT NUMBER: BHF 016-2(14)

FILE NAME: s06j004sup.dgn PLOT DATE: 18-JUN-2009
PROJECT LEADER: R. WHITCOMB DRAWN BY: D. PETERSON
DESIGNED BY: C. CARLSON CHECKED BY: C. CARLSON
VE CROSS FRAME DETAILS SHEET 28 OF 72