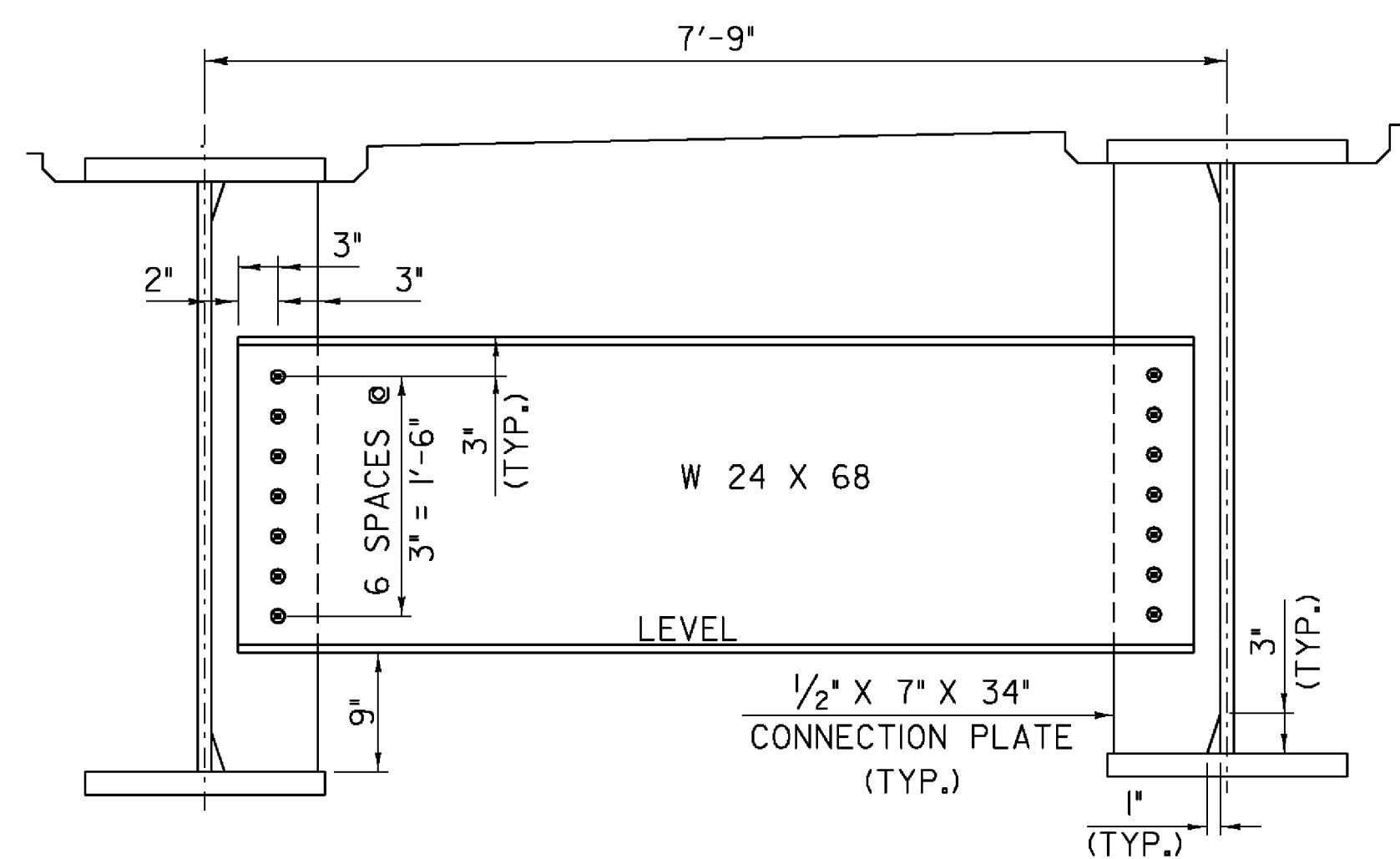


GIRDER ELEVATION

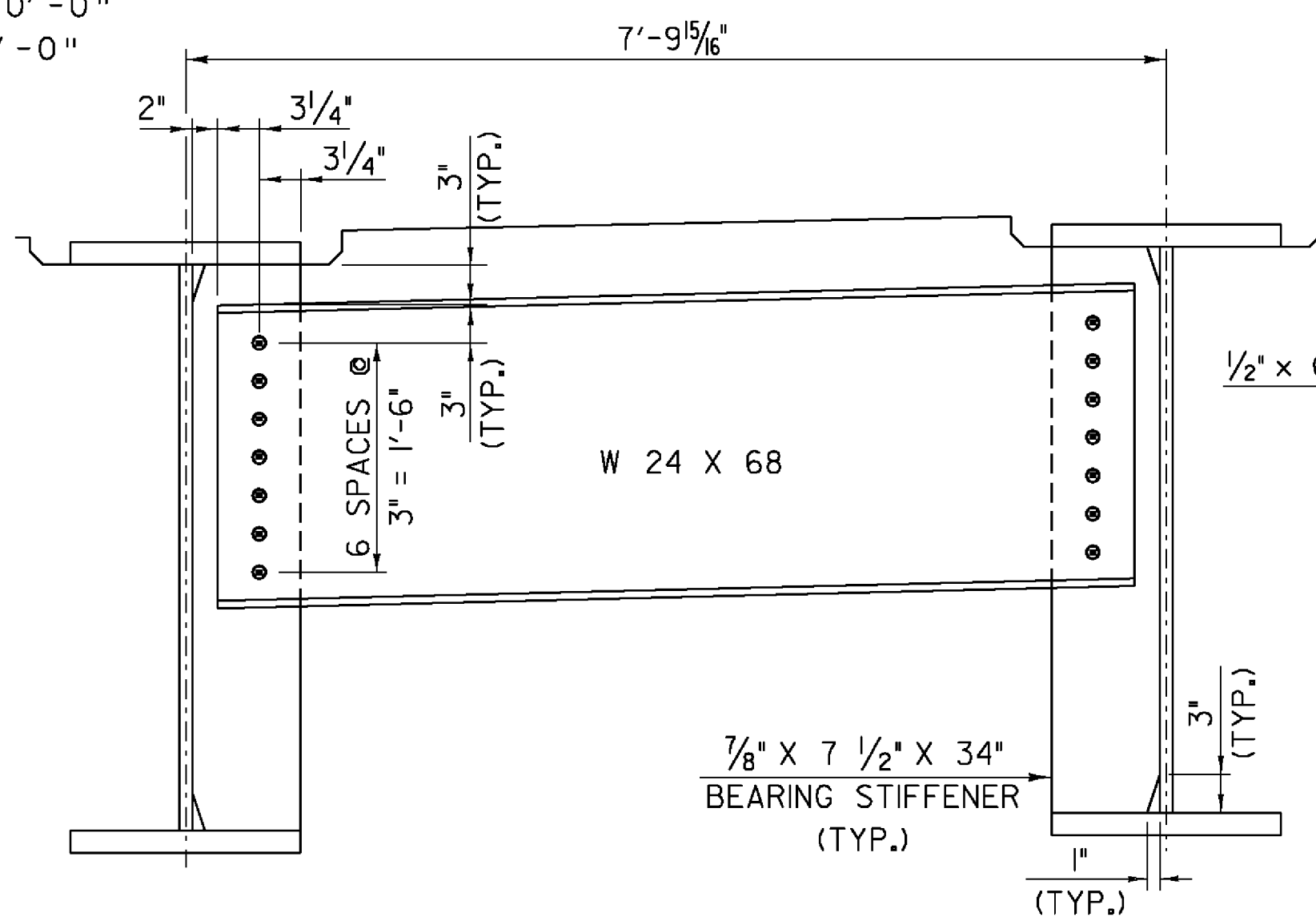
HORIZONTAL SCALE 1" = 10'-0"
VERTICAL SCALE 1" = 2'-0"

* CVN ~ CHARPY V NOTCH TESTING



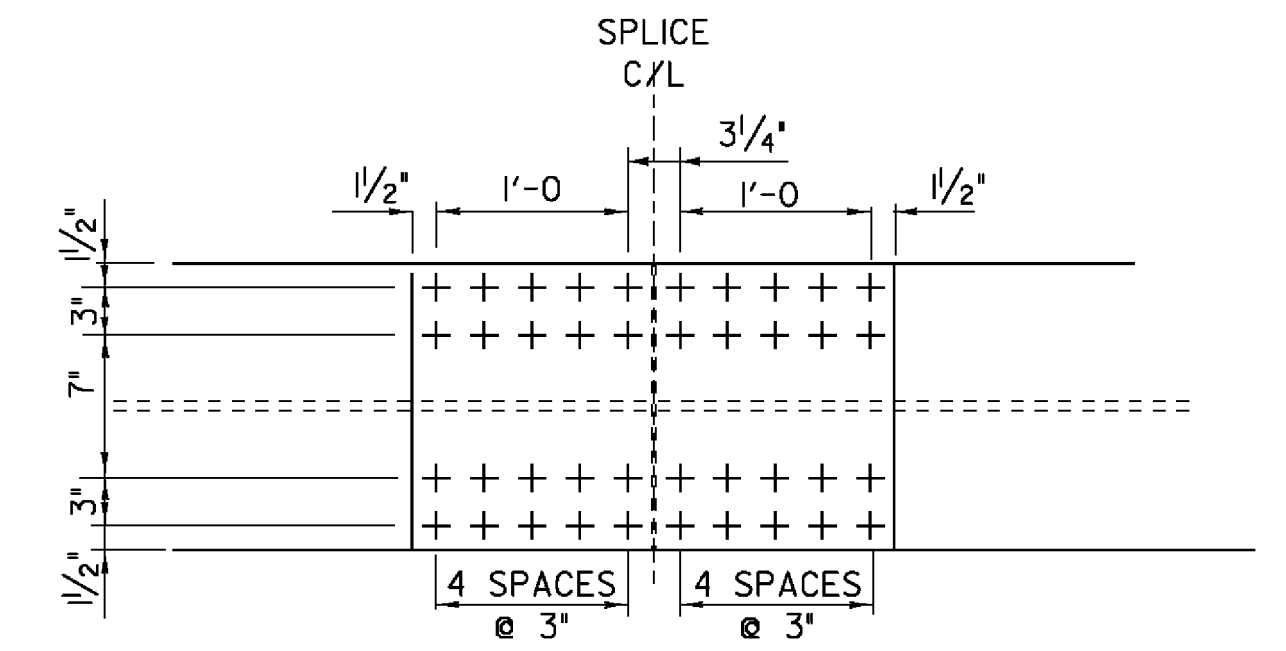
TYPICAL INTERMEDIATE DIAPHRAGM DETAIL

(NTS)

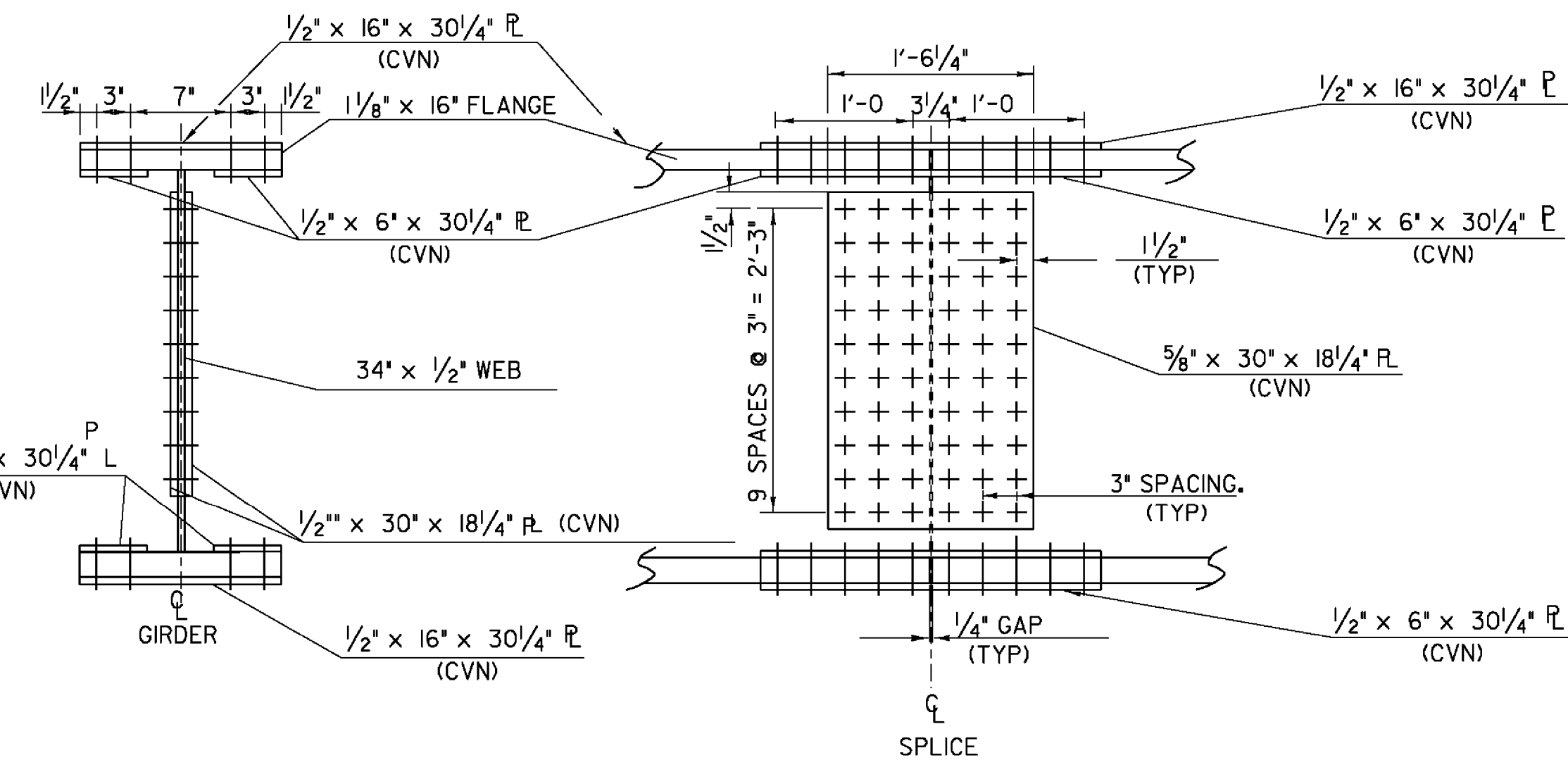


TYPICAL PIER DIAPHRAGM DETAIL

(NTS)



**PLAN VIEW
TOP & BOTTOM
(TYP)**

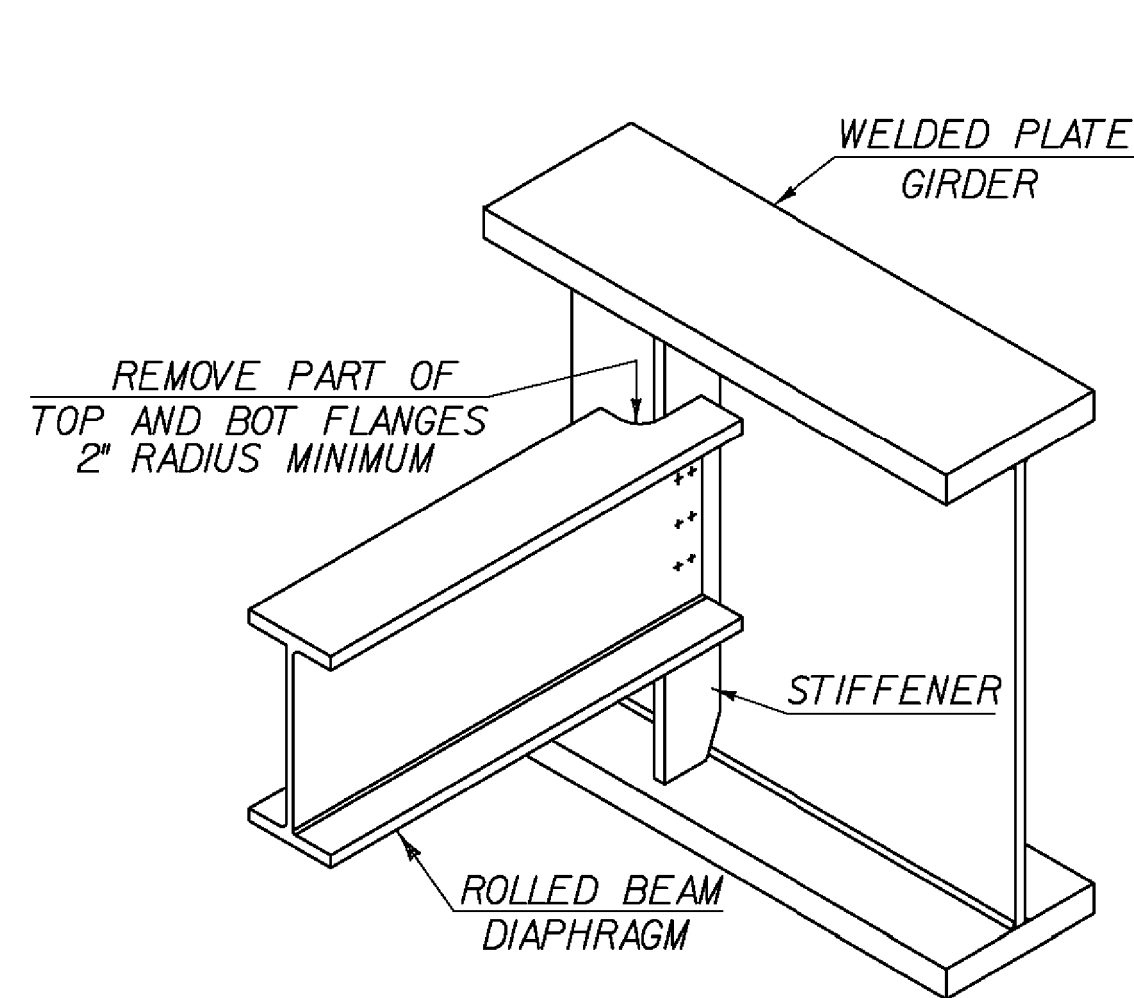


SPRINGFIELD BHF 016-2(14)

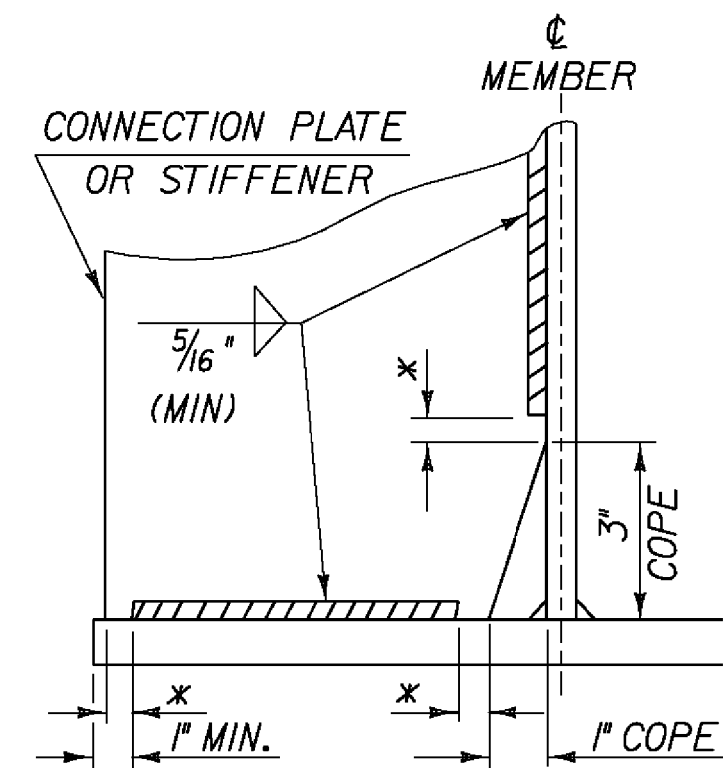
(NEW DESIGN)

SPLICE DETAIL SPAN #2

(NTS)

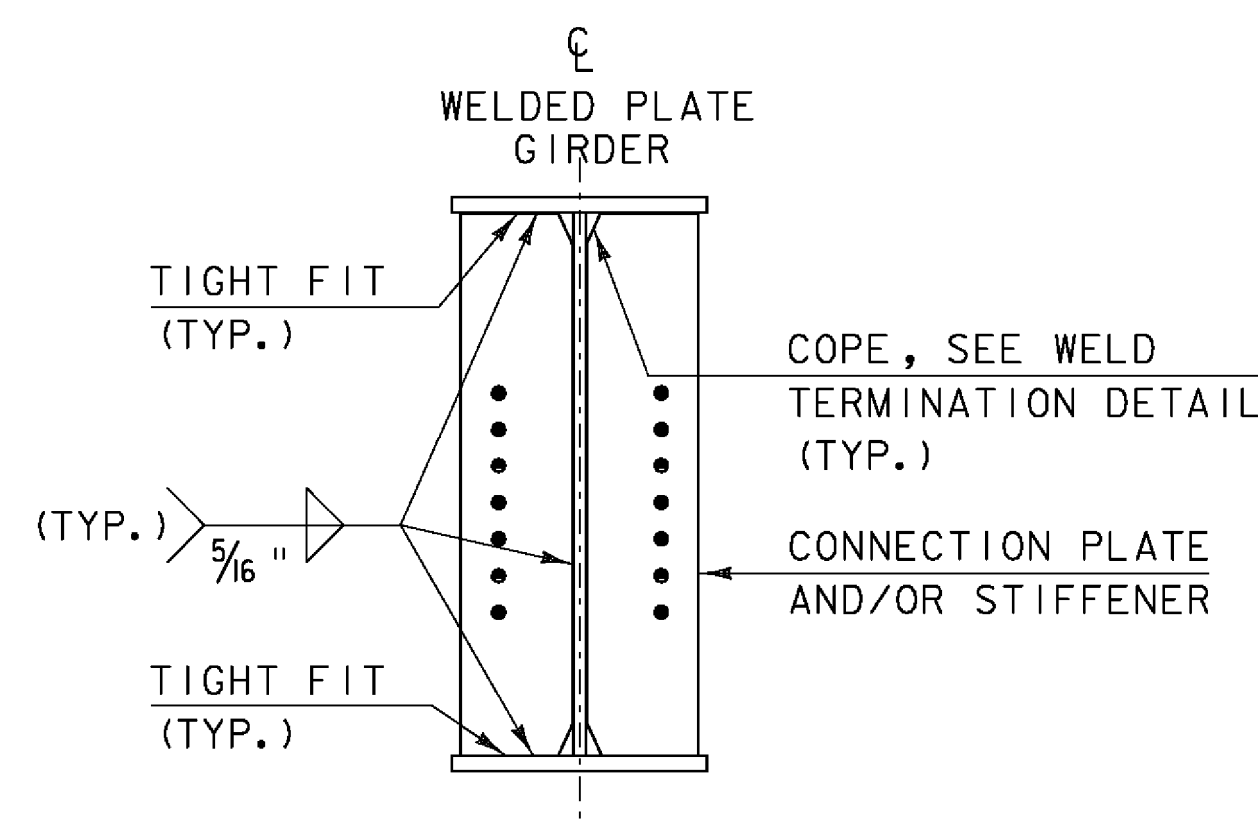


ROLLED BEAM USED AS DIAPHRAGM



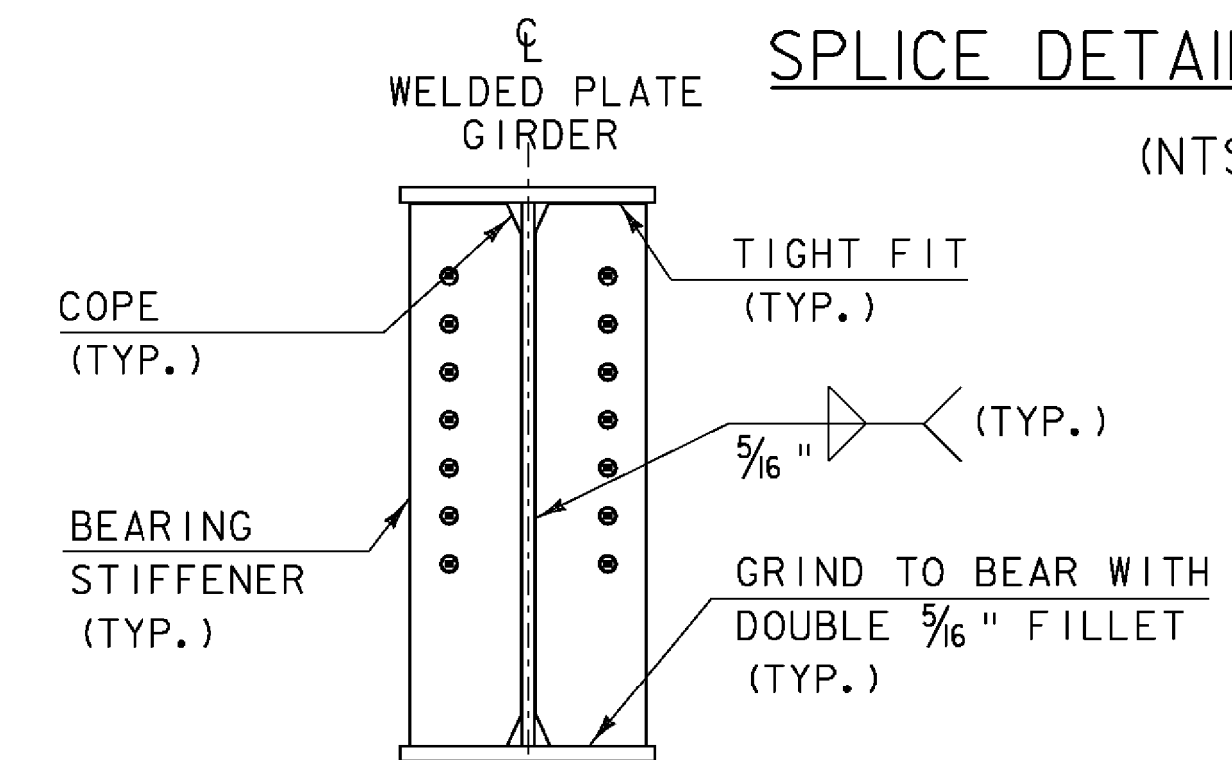
**WELD TERMINATION AND COPING
DETAILS FOR STEEL MEMBERS**

* NO WELD FOR 3/8" MIN. 7/8" MAX. (EXCEPT MUST MAINTAIN 1" MINIMUM FROM EDGE OF FLANGE)



**INTERMEDIATE CONNECTION PLATES
AND/OR STIFFENERS FOR WELDED
PLATE GIRDERS**

(NOT TO SCALE)



**PIER BEARING STIFFENERS
FOR WELDED PLATE GIRDERS**

(NOT TO SCALE)

REV.	BY	DATE	DESCRIPTION
3	LBB	5/26/09	REVISED GIRDERS

PROJECT NAME: SPRINGFIELD

PROJECT NUMBER: BHF 016-2(14)

FILE NAME: s06j004sup.dgn

PROJECT LEADER: R. WHITCOMB

DESIGNED BY: C. CARLSON

VE GIRDER ELEVATION

PLOT DATE: 29-MAY-2009

DRAWN BY: L. BULLOCK

CHECKED BY: C. CARLSON

SHEET 28A OF 72