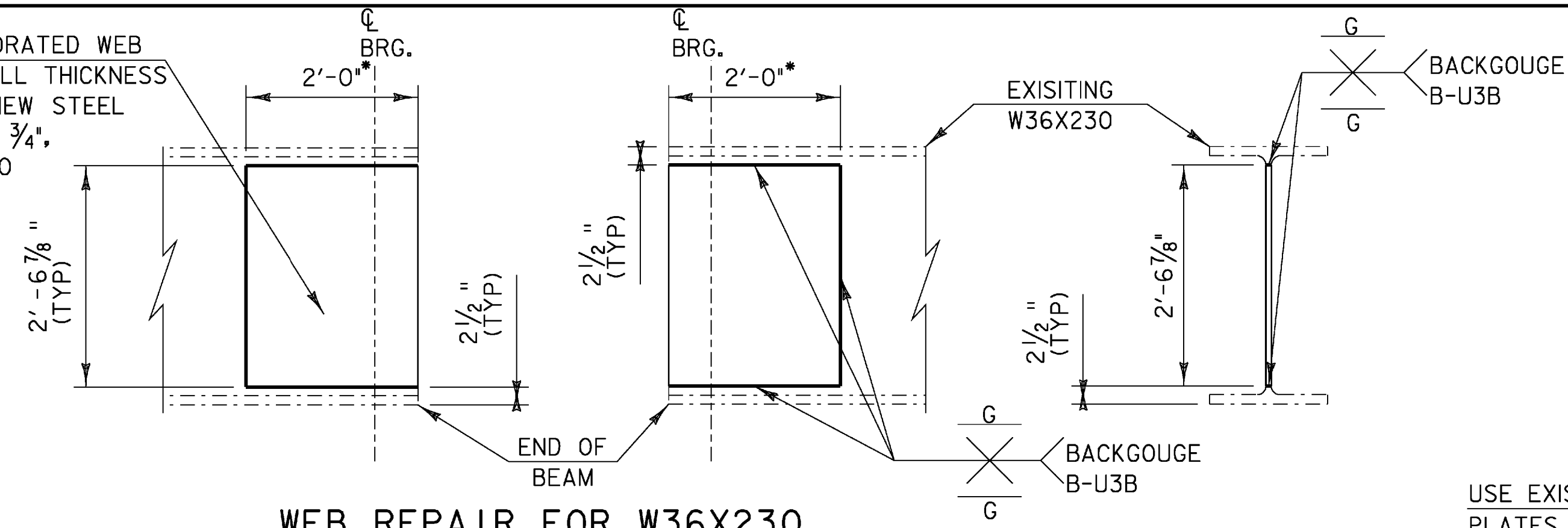


REMOVE DETERIORATED WEB TO AREA OF FULL THICKNESS
 REPLACE WITH NEW STEEL PLATE 30 7/8" X 3/4",
 GRADE 36 OR 50

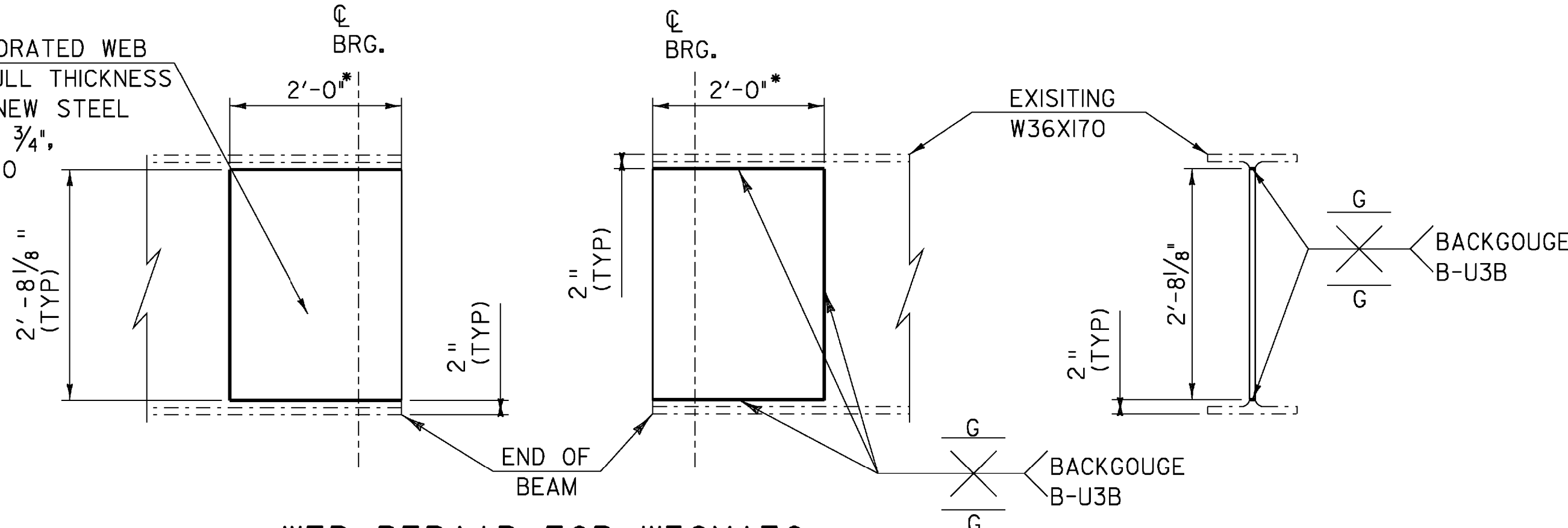


WEB REPAIR FOR W36X230

BEAMS AT PIER

SCALE 3/4" = 1'-0"

REMOVE DETERIORATED WEB TO AREA OF FULL THICKNESS
 REPLACE WITH NEW STEEL PLATE 32 1/8" X 3/4",
 GRADE 36 OR 50

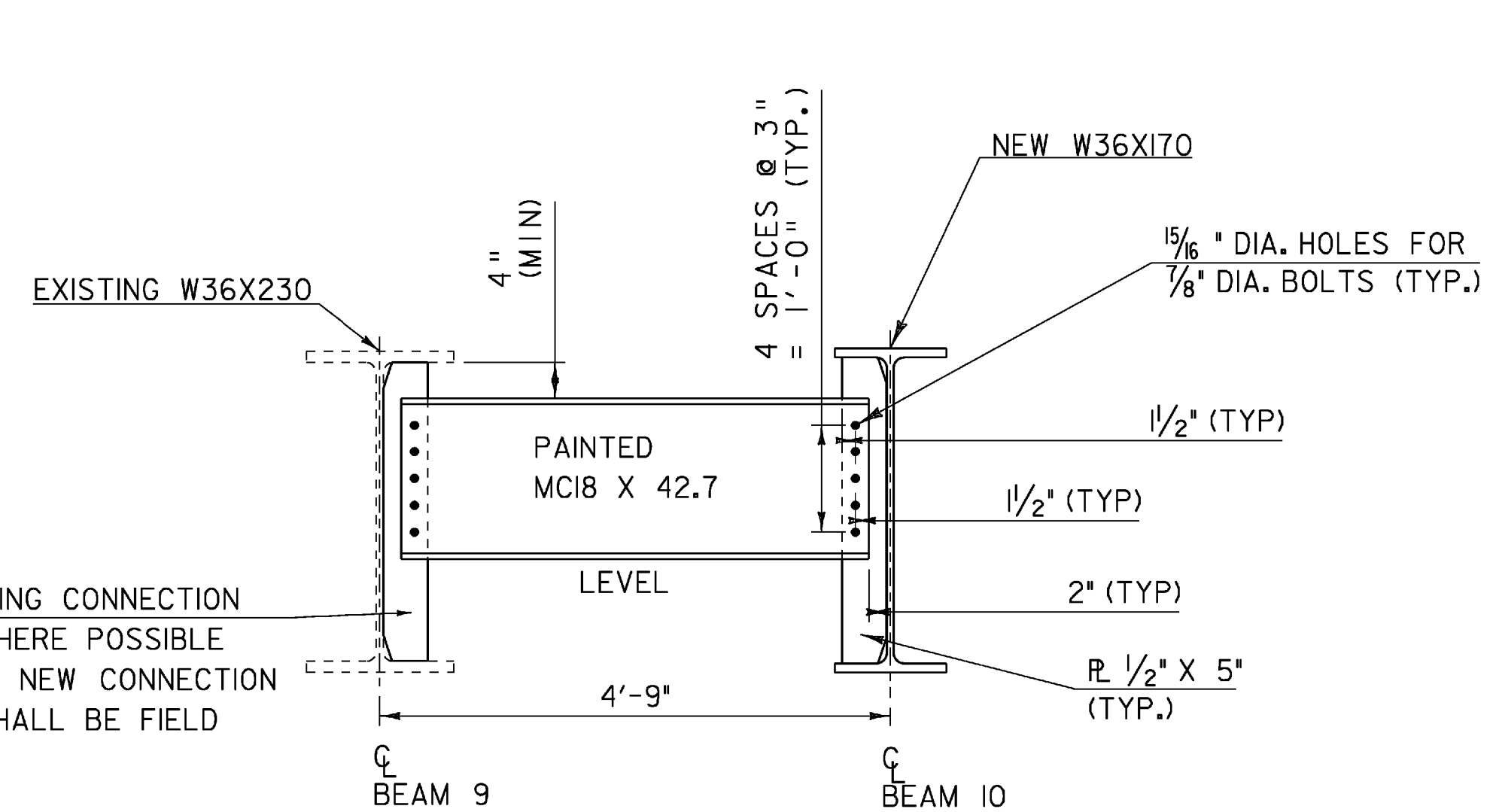


WEB REPAIR FOR W36X170

BEAMS AT PIER

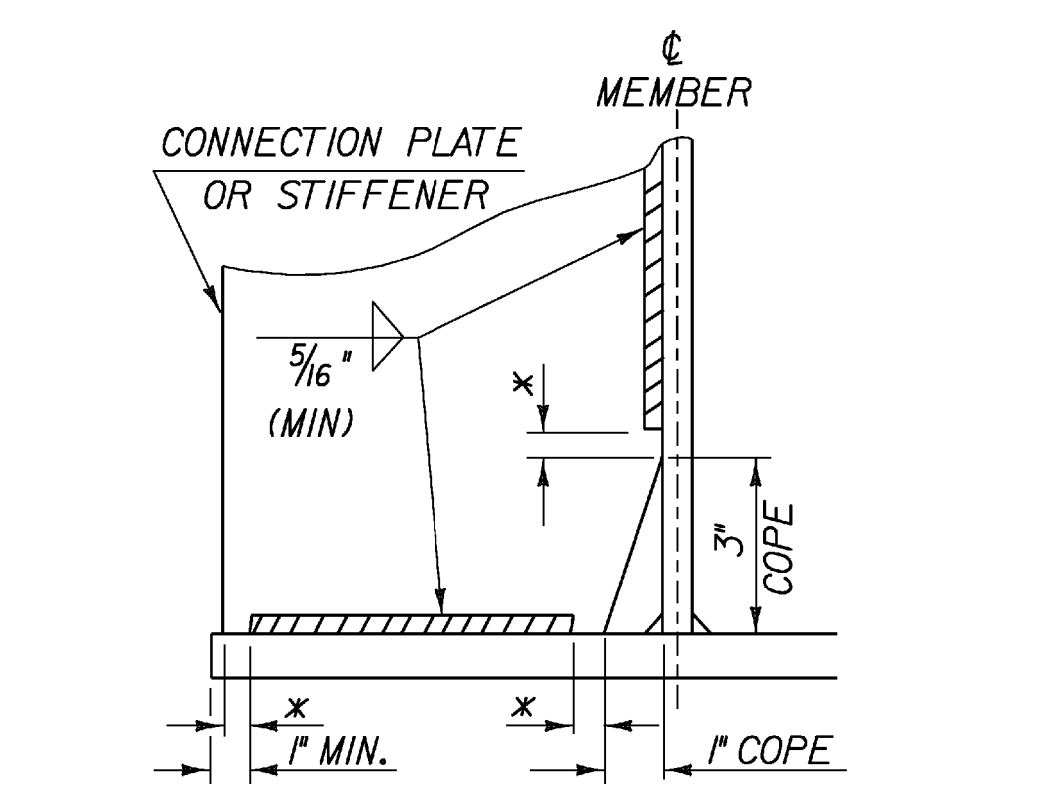
SCALE 3/4" = 1'-0"

* APPROXIMATE DIMENSION, CONTRACTOR SHALL
 FIELD VERIFY THIS DIMENSION WITH RESIDENT
 ENGINEER. THE WEB REPAIR LENGTH
 MAY BE MORE OR LESS THAN 2'-0"



**INTERMEDIATE DIAPHRAGMS
 BETWEEN BEAMS 9 AND 10**

SCALE 3/4" = 1'-0"



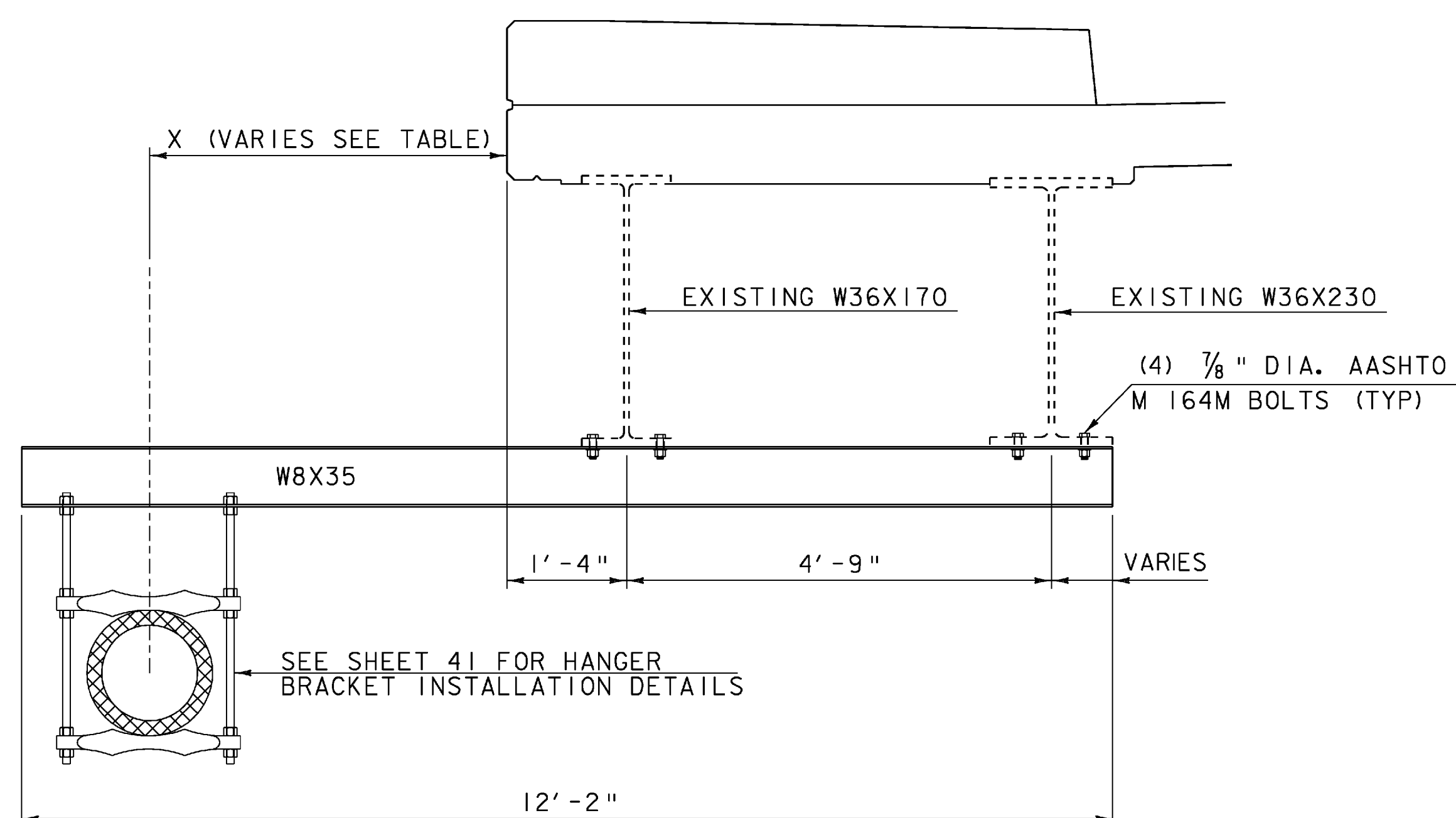
**WELD TERMINATION AND COPING
 DETAILS FOR STEEL MEMBERS**

* NO WELD FOR 3/8" MIN. 7/8" MAX. (EXCEPT MUST
 MAINTAIN 1" MINIMUM FROM EDGE OF FLANGE)

NOTE:
 SEWER HANGER BEAMS (SHB) ARE NUMBERED
 WITH SHBI CLOSEST TO ABUTMENT NO. 1

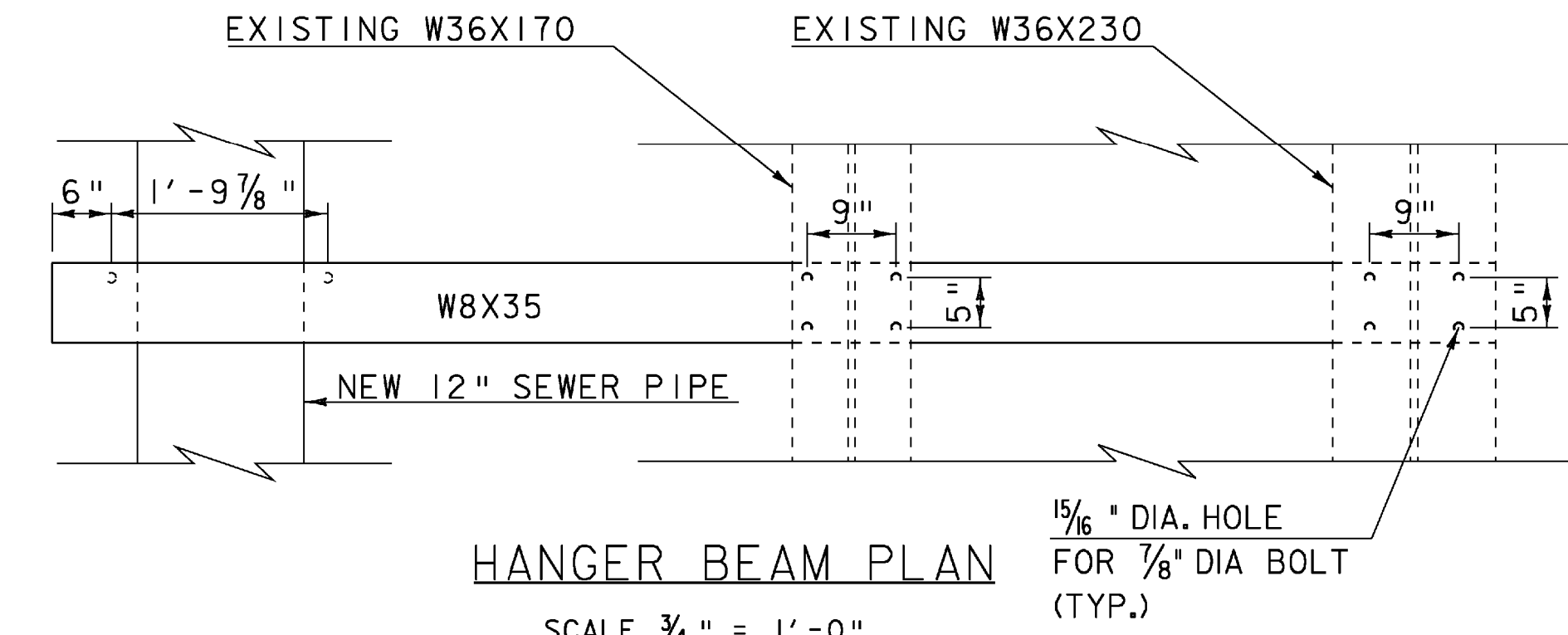
BEAM #	L (FT)	X (FT)
SHBI	12'-2"	2'-4 3/4"
SHB2	12'-2"	2'-9"
SHB3	12'-2"	3'-1 1/4"
SHB4	12'-2"	3'-5 1/2"
SHB5	12'-2"	3'-9 3/4"
SHB6	12'-2"	4'-0"
SHB7	12'-2"	4'-0"
SHB8	12'-2"	4'-0"
SHB9	12'-2"	4'-0"
SHB10	12'-2"	4'-0"
SHB11	12'-2"	4'-0"
SHB12	12'-2"	4'-0"
SHB13	12'-2"	4'-0"

SCALE 3/4" = 1'-0"



HANGER BEAM ELEVATION

SCALE 3/4" = 1'-0"



HANGER BEAM PLAN

SCALE 3/4" = 1'-0"

VOID
 SEE REVISED
 SHEET

PROJECT NAME: SPRINGFIELD
 PROJECT NUMBER: BHF 016-2(14)
 FILE NAME: s06j004sup.dgn
 PROJECT LEADER: R. WHITCOMB
 DESIGNED BY: C. CARLSON
 STRUCTURAL STEEL REPAIR DETAILS
 PLOT DATE: 24-MAR-2009
 DRAWN BY: C. MOONEY
 CHECKED BY: D. PETERSON
 SHEET 28 OF 72