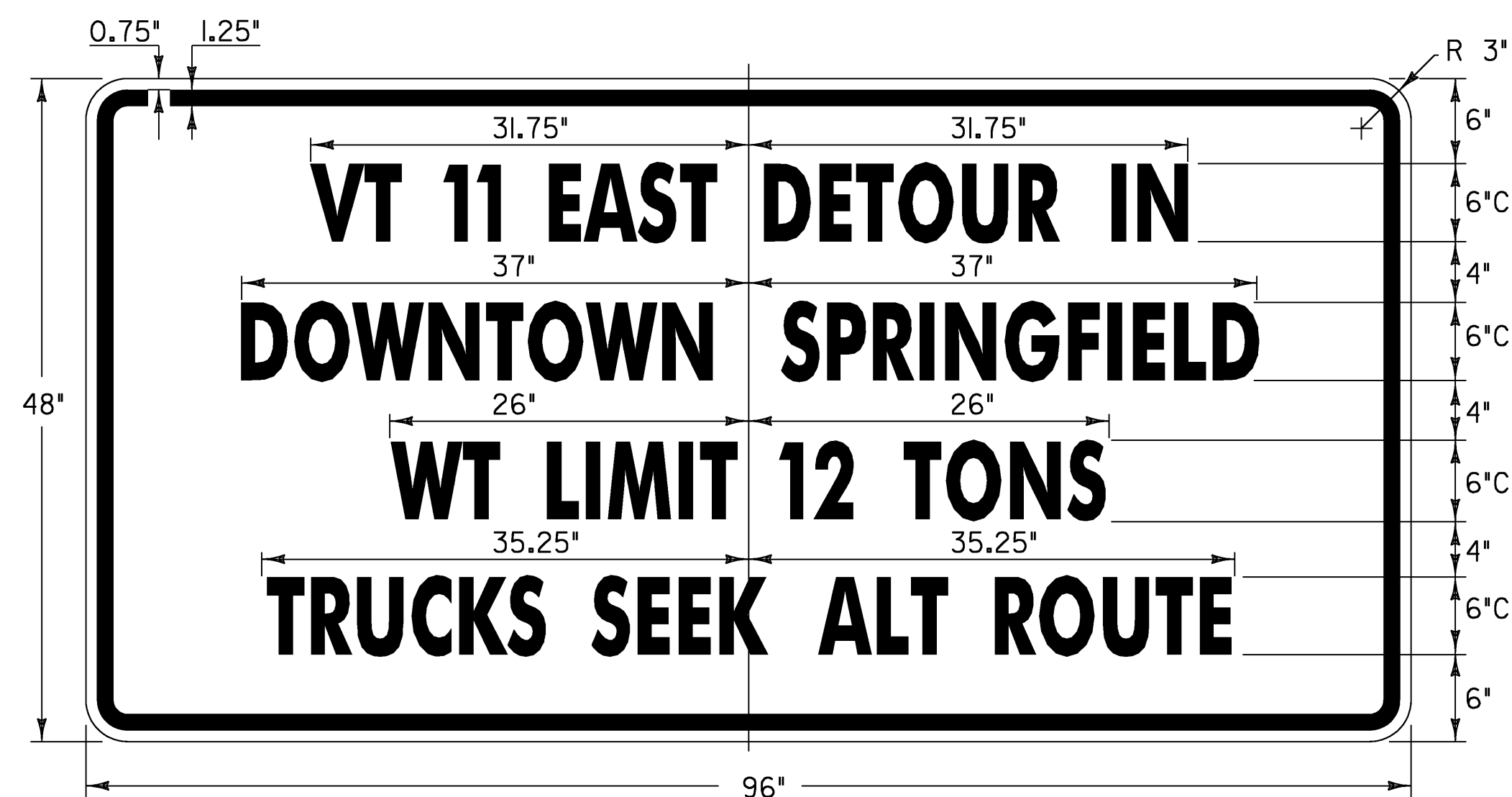
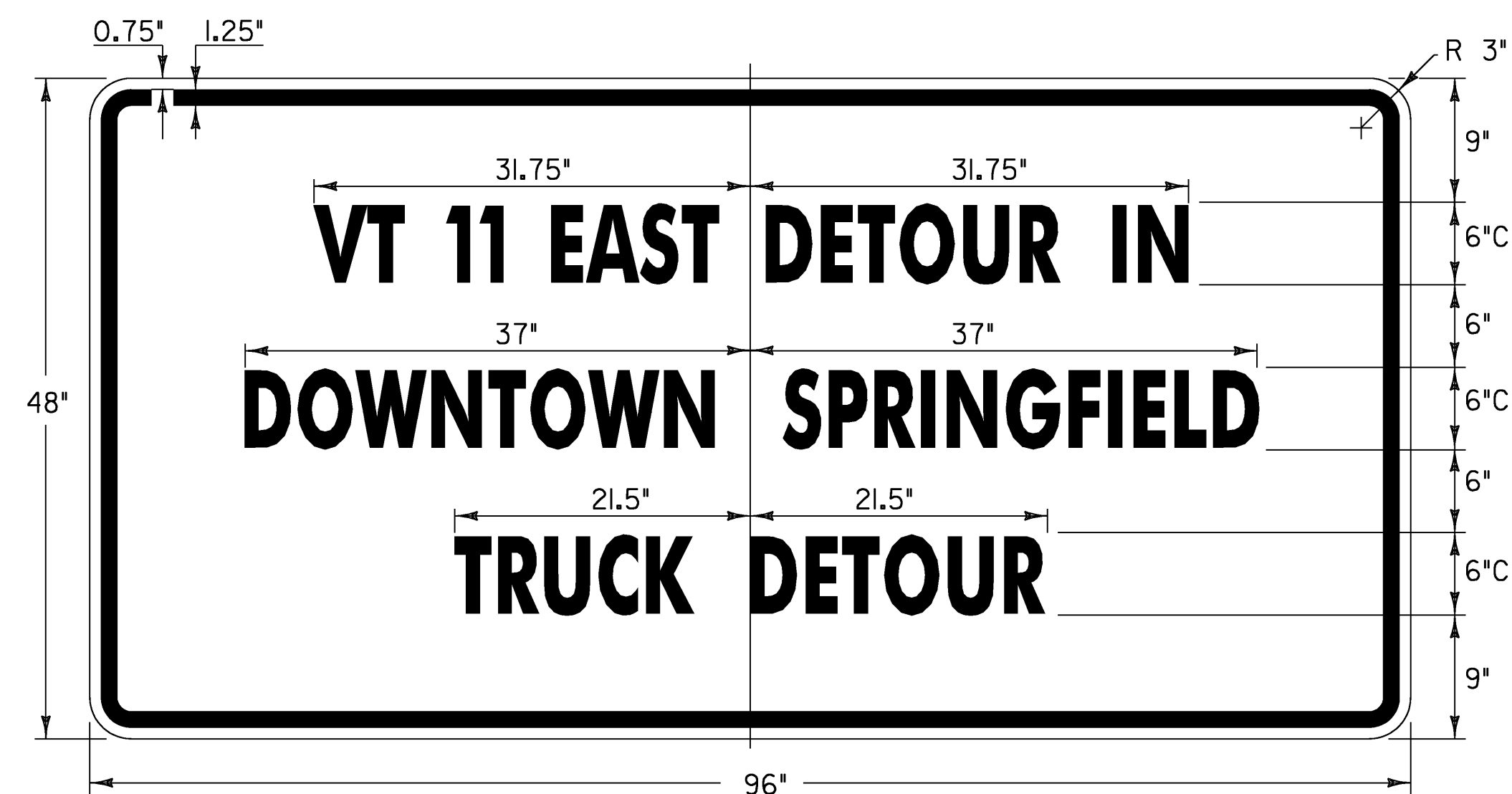


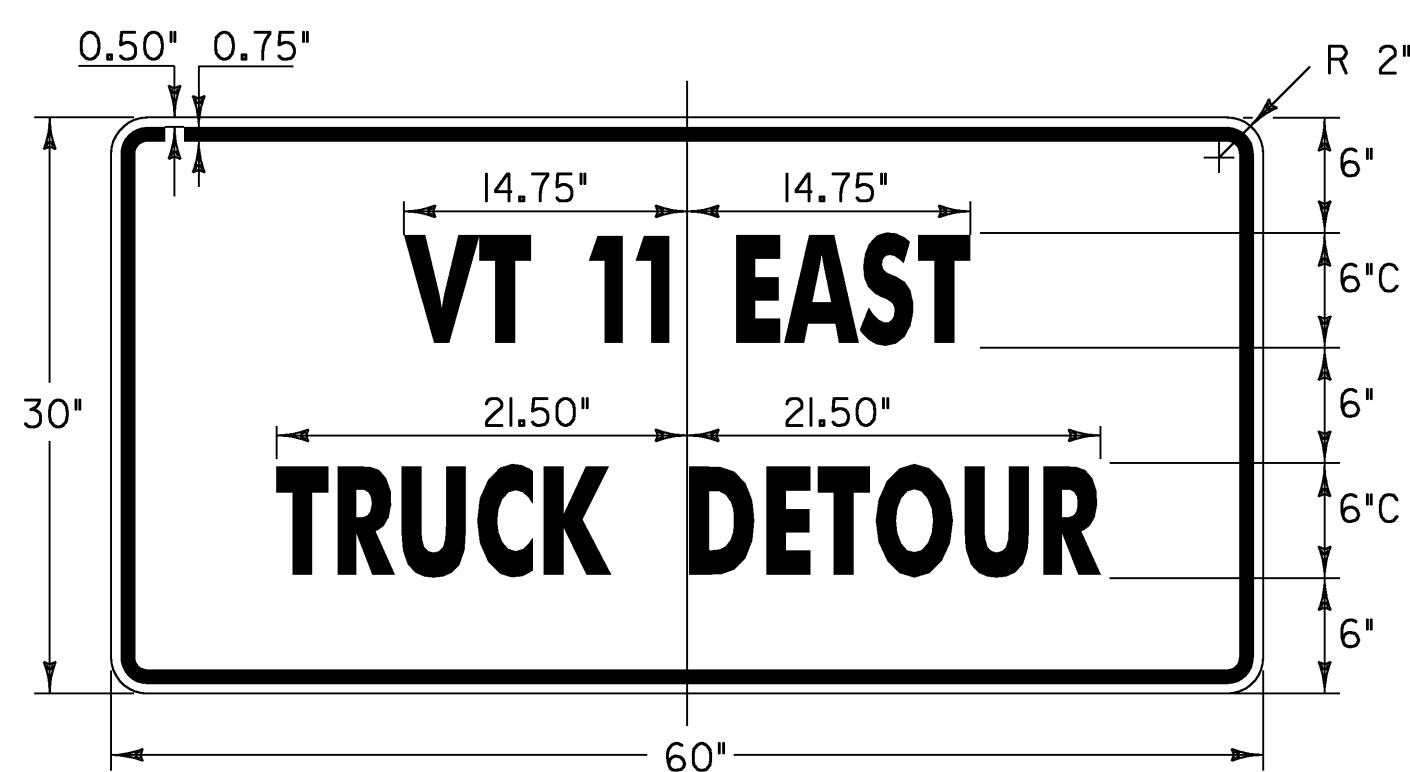
QUANTITY OF SIGNS	SIGN LEGEND	SIGN DIMENSIONS		FLANGED CHANNEL lbs/ft
		WIDTH (In)	HEIGHT (In)	
11	VT 11 EAST DETOUR IN DOWNTOWN SPRINGFIELD WT LIMIT 12 TONS TRUCKS SEEK ALT ROUTE	96	48	x
1	VT 11 EAST DETOUR IN DOWNTOWN SPRINGFIELD TRUCK DETOUR	96	48	x
6	VT 11 EAST TRUCKS DETOUR	60	30	x
1	INTERSTATE WEIGHT LIMITS APPLY	60	30	x
2	ROAD CLOSED R11-2	60	30	x
1	ROAD WORK AHEAD W20-1A	36	36	x
2	DETOUR AHEAD W20-2	36	36	x
1	ROAD CLOSED AHEAD W20-3	36	36	x
1	BRIDGE WORK AHEAD VC-807	36	36	x
1	BRIDGE CLOSED AHEAD VC-821	36	36	x
1	BRIDGE CLOSED 500 FT VC-821	36	36	x
5	DETOUR M4-9(U)	30	24	x
8	DETOUR M4-9(R)	30	24	x
5	DETOUR M4-9(L)	30	24	x
2	END DETOUR M4-8A	24	18	x
4	VERMONT 11 MI-6A	24	24	x
3	EAST M3-2	24	12	x
1	WEST M3-4	24	12	x
5	STOP RI-1	30	30	x
5	R3-2	24	24	x
6	DO NOT ENTER R5-1	30	30	x



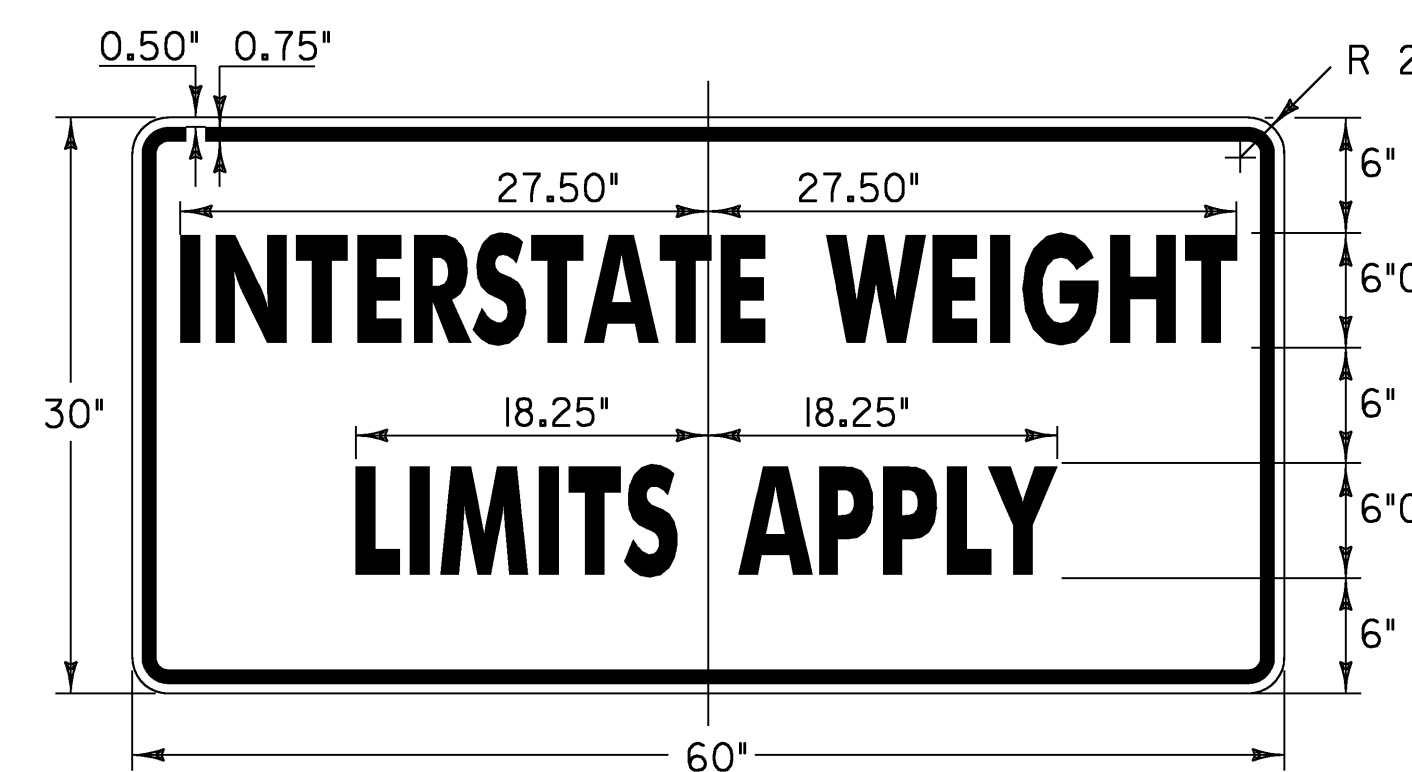
BLACK TEXT & BORDER WITH ORANGE BACKGROUND



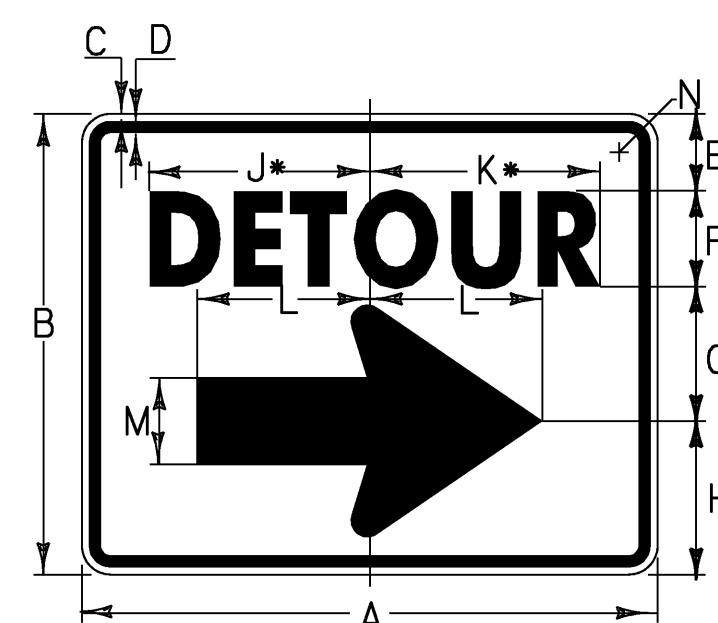
BLACK TEXT & BORDER WITH ORANGE BACKGROUND



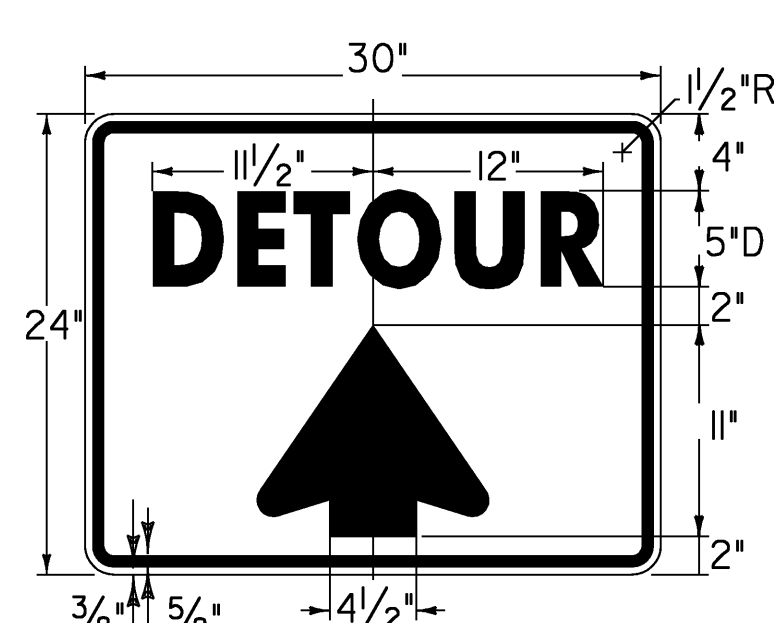
BLACK TEXT & BORDER WITH ORANGE BACKGROUND



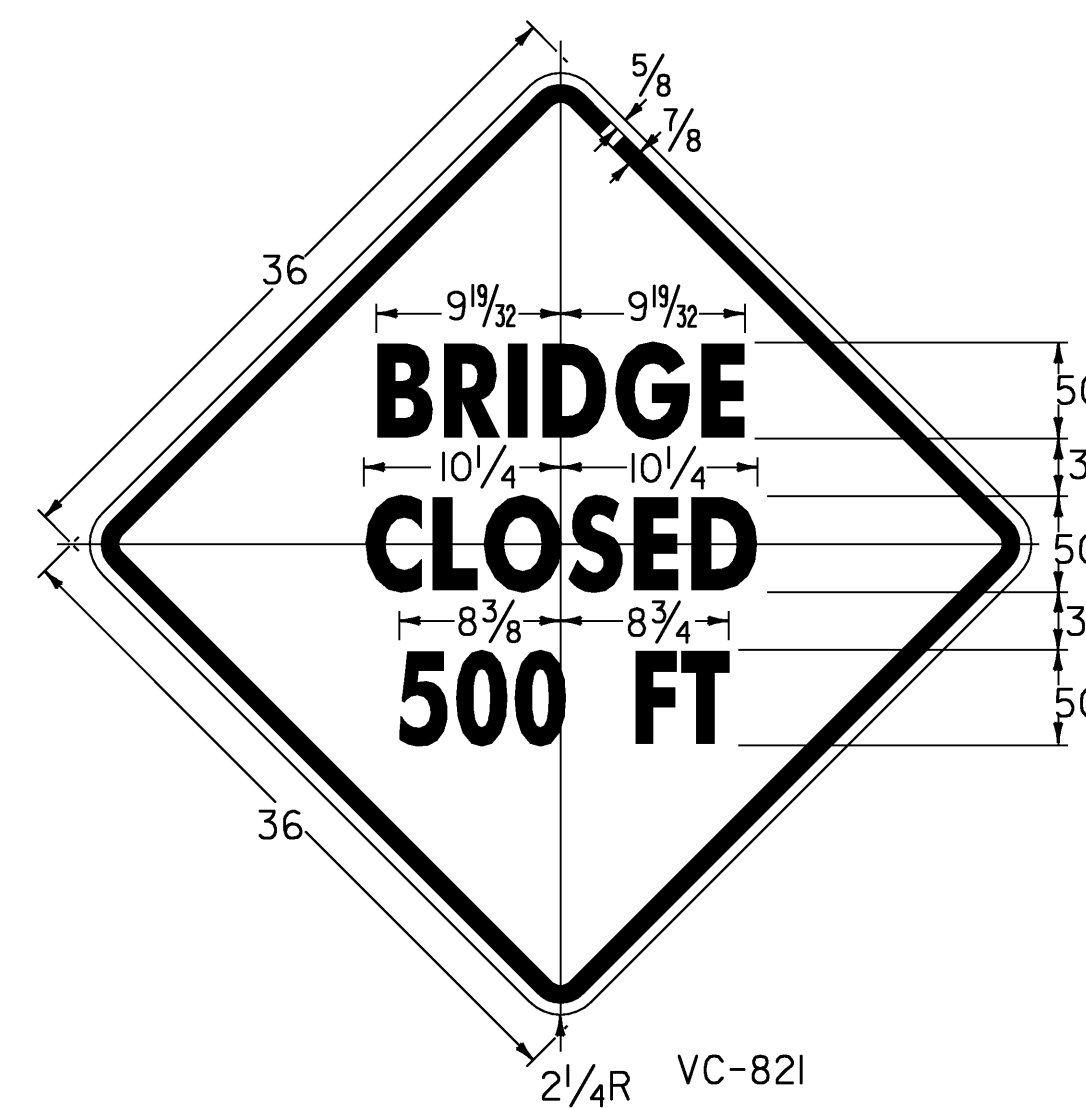
BLACK TEXT & BORDER WITH ORANGE BACKGROUND



M4-9(R) BLACK TEXT & BORDER WITH ORANGE BACKGROUND



M4-9(U) BLACK TEXT & BORDER WITH ORANGE BACKGROUND



COLORS: BLACK BORDER AND TEXT NON (REFL.) ORANGE BACKGROUND (REFL.)

SIGN	DIMENSIONS (INCHES)												
	A	B	C	D	E	F	G	H	J	K	L	M	N
STD.	30	24	3/8	5/8	4	5D	7	8	11 1/2	12	9	4 1/2	1 1/2
SPECIAL	48	36	5/8	7/8	6	8D	10	12	19 1/2	20 1/4	13 1/2	7	2 1/4
SPECIAL	60	48	3/4	1 1/4	8	10D	14	16	23	24	18	9	3

* REDUCE SPACING 40%

PROJECT NAME: SPRINGFIELD	PLOT DATE: 19-MAR-2009
PROJECT NUMBER: BHF 016-2(14)	DRAWN BY: D. PETERSON
FILE NAME: 06J004/Str/s06J004def.dgn	CHECKED BY: C. CARLSON
DESIGNED BY: C. CARLSON	DETOUR SIGN SUMMARY SHEET #1
	SHEET 16 OF 72