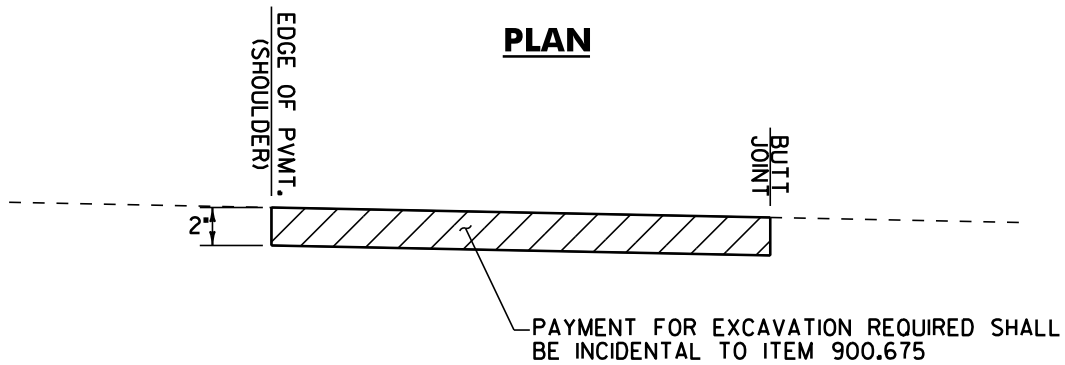
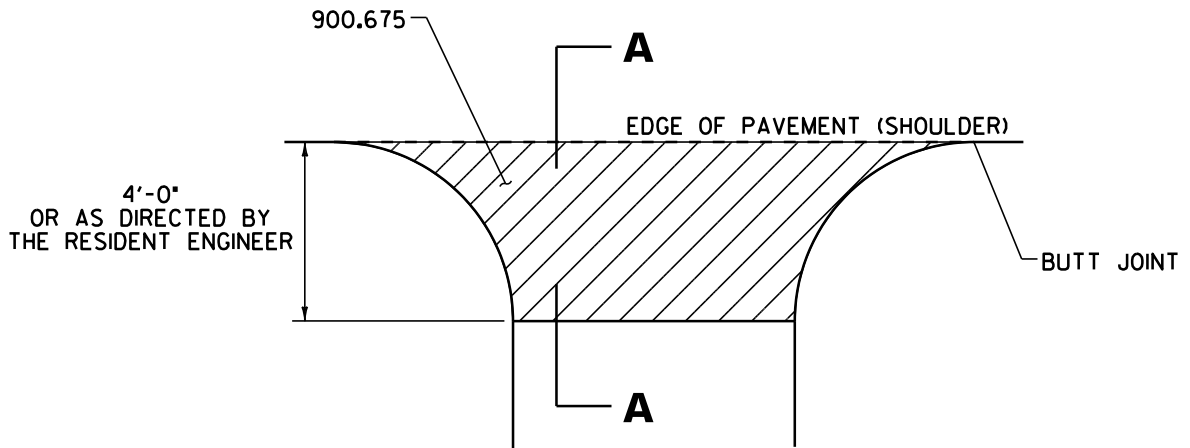


PLAN



SECTION

HANDWORK DETAILS FOR PAVED DRIVES



PLAN

HANDWORK DETAILS FOR GRAVEL DRIVES

HANDWORK DETAILS FOR DRIVES	PROJECT NAME:	WOODFORD - SEARSBURG
	PROJECT NUMBER:	NH ST 2630 (I)
	FILE NAME: p06b228.dgn	PLOT DATE: 04-OCT-2011 12:47
	PROJECT LEADER: TED DOMEY	DRAWN BY: WILDER
DESIGNED BY: LSW	CHECKED BY: PAVT MGMT	
IPARM FILE NAME: 06b228hwl.i	SHEET 8 OF 24	