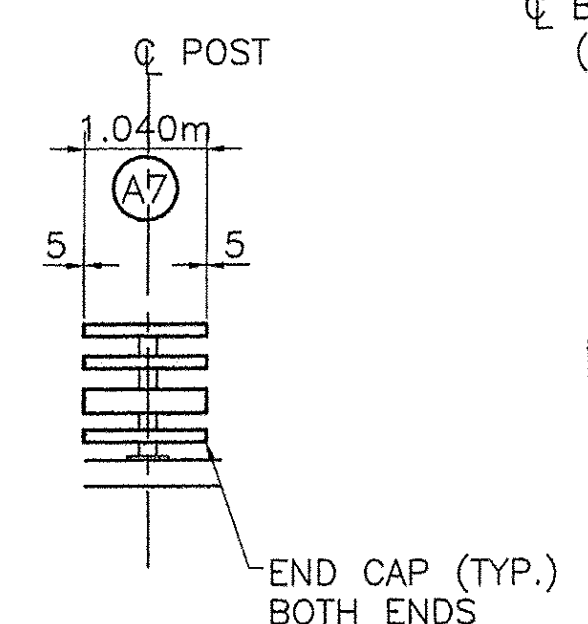
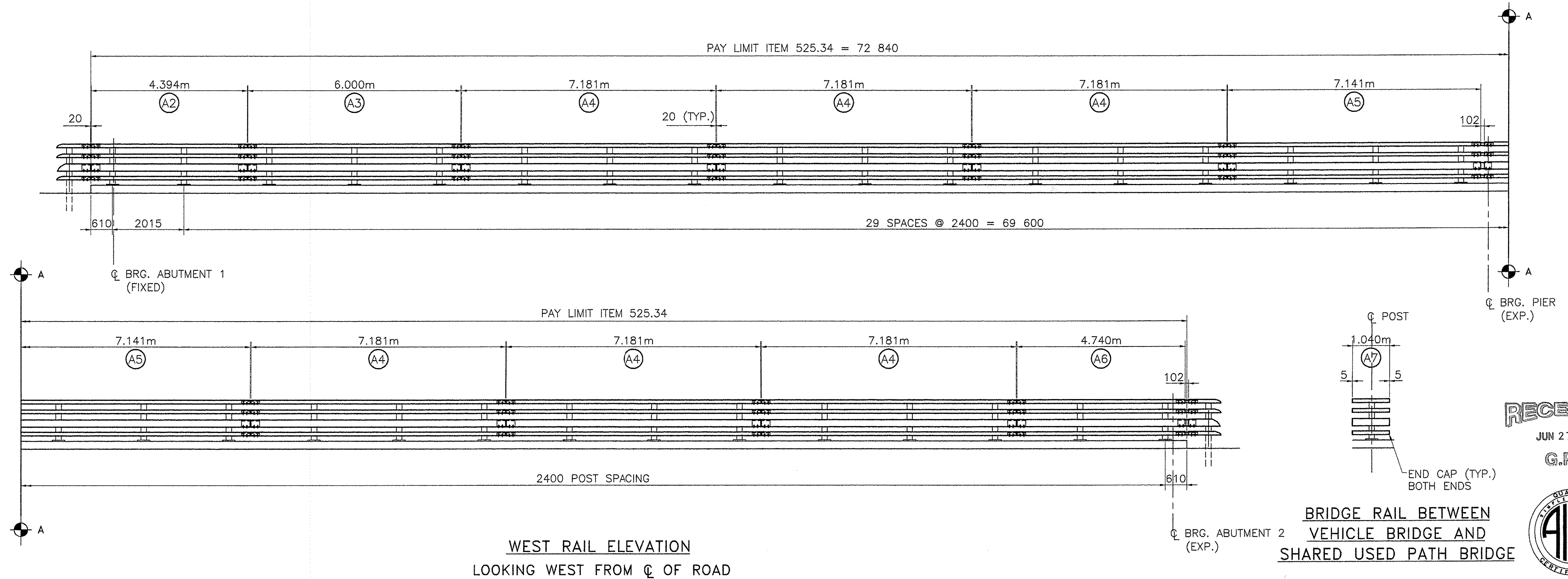
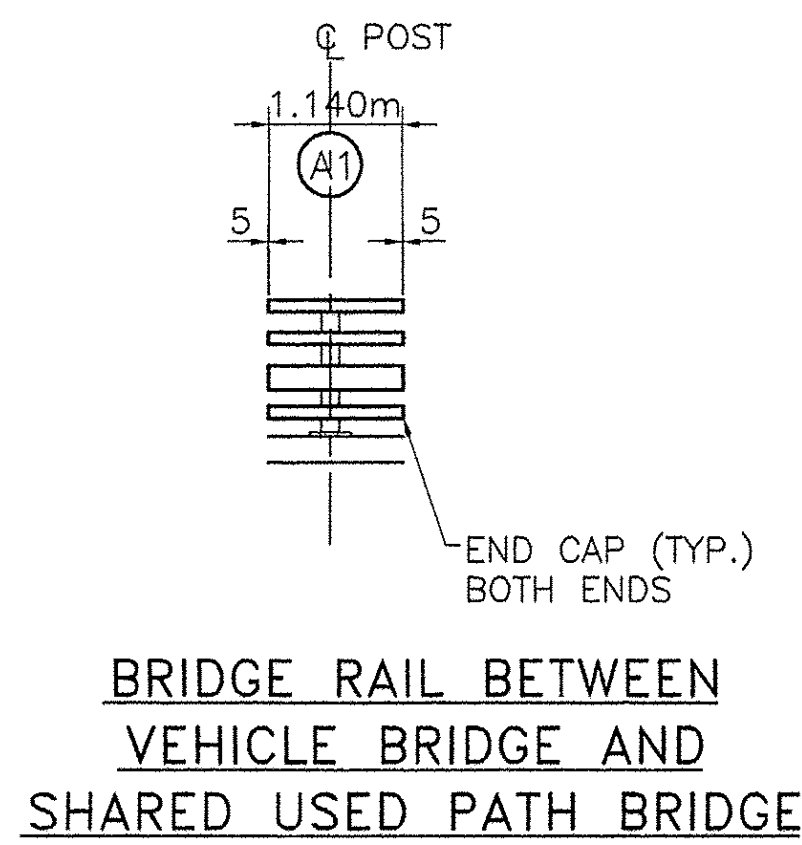


NOTE:
 1. WEST BRIDGE RAILS TO BE SET ON 795.500m CONVEX RADIUS.
 2. RAILS ARE PROVIDED STRAIGHT AND WILL FLEX UNDER OWN WEIGHT IN ACCESS OF REQUIRED RAIL CURVATURE DUE TO LARGE RADIUS.

BILL OF MATERIAL (WEST RAIL)					
Mark #	Qty.	Description	Size/Shape	Length/Qty. per unit	Material
4P	31	W150x37 POST W/BASEPLATE 1145 OAL			
		POST UPRIGHT	W150 x 37	1120	A709M Gr. 345
		POST BASE PLATE	254 x 25	356	A709M Gr. 345
			254 x 3	356	NEOPRENE
A1	3	TS 102 x 102 x 6		1.140m	A500 Gr. B
	1	TS 203 x 102 x 8		1.140m	A500 Gr. B
A2	3	TS 102 x 102 x 6		4.394m	A500 Gr. B
	1	TS 203 x 102 x 8		4.394m	A500 Gr. B
A3	3	TS 102 x 102 x 6		6.000m	A500 Gr. B
	1	TS 203 x 102 x 8		6.000m	A500 Gr. B
A4	18	TS 102 x 102 x 6		7.181m	A500 Gr. B
	6	TS 203 x 102 x 8		7.181m	A500 Gr. B
A5	6	TS 102 x 102 x 6		7.141m	A500 Gr. B
	2	TS 203 x 102 x 8		7.141m	A500 Gr. B
A6	3	TS 102 x 102 x 6		4.740m	A500 Gr. B
	1	TS 203 x 102 x 8		4.740m	A500 Gr. B
A7	3	TS 102 x 102 x 6		1.040m	A500 Gr. B
	1	TS 203 x 102 x 8		1.040m	A500 Gr. B
	9	TS 178 x 76 x 10 FIXED SPLICE TUBE		510	A500 Gr. B
	1	TS 178 x 76 x 10 EXP. SPLICE TUBE		600	A500 Gr. B
	27	TS 76 x 76 x 10 FIXED SPLICE TUBE		510	A500 Gr. B
	3	TS 76 x 76 x 10 EXP. SPLICE TUBE		600	A500 Gr. B
	248	M20 ROUND HEAD BOLT		152	M164M
	248	M20 HEX NUT			A563 DH
	248	M20 WASHER			F436M
	160	M16 SPLICE BOLT		44	A325M
	160	M16 PLAIN HARDENED WASHER			F436M
	80	M16 NUT WELDED TO SPLICE TUBE			A563M
	16	DN 20 SCH. 40 PIPE SPACER		13	A53 Gr. B
	4	END CAP FOR 203 x 102 TUBE RAIL	102 x 5	203	A709M Gr. 250
	12	END CAP FOR 102 x 102 TUBE RAIL	102 x 5	102	A709M Gr. 250



RECEIVED
 JUN 27 2008
 G.P.I.
 QUALITY ASSURANCE CERTIFICATION

REVISIONS		
No.	Remarks	Date
0	Initial submittal	

6/24/08
 7/2/08

HIGHWAY SAFETY CORP.
 GLASTONBURY, CT

ITEM 525.34 BRIDGE RAILING - 4 RAIL
 TOWN OF BENNINGTON
 COUNTY OF BENNINGTON
 PROJECT AC NH 019-1(53) BRIDGE B11
 EAST ROAD OVER VT ROUTE 279

1615

8 of 11