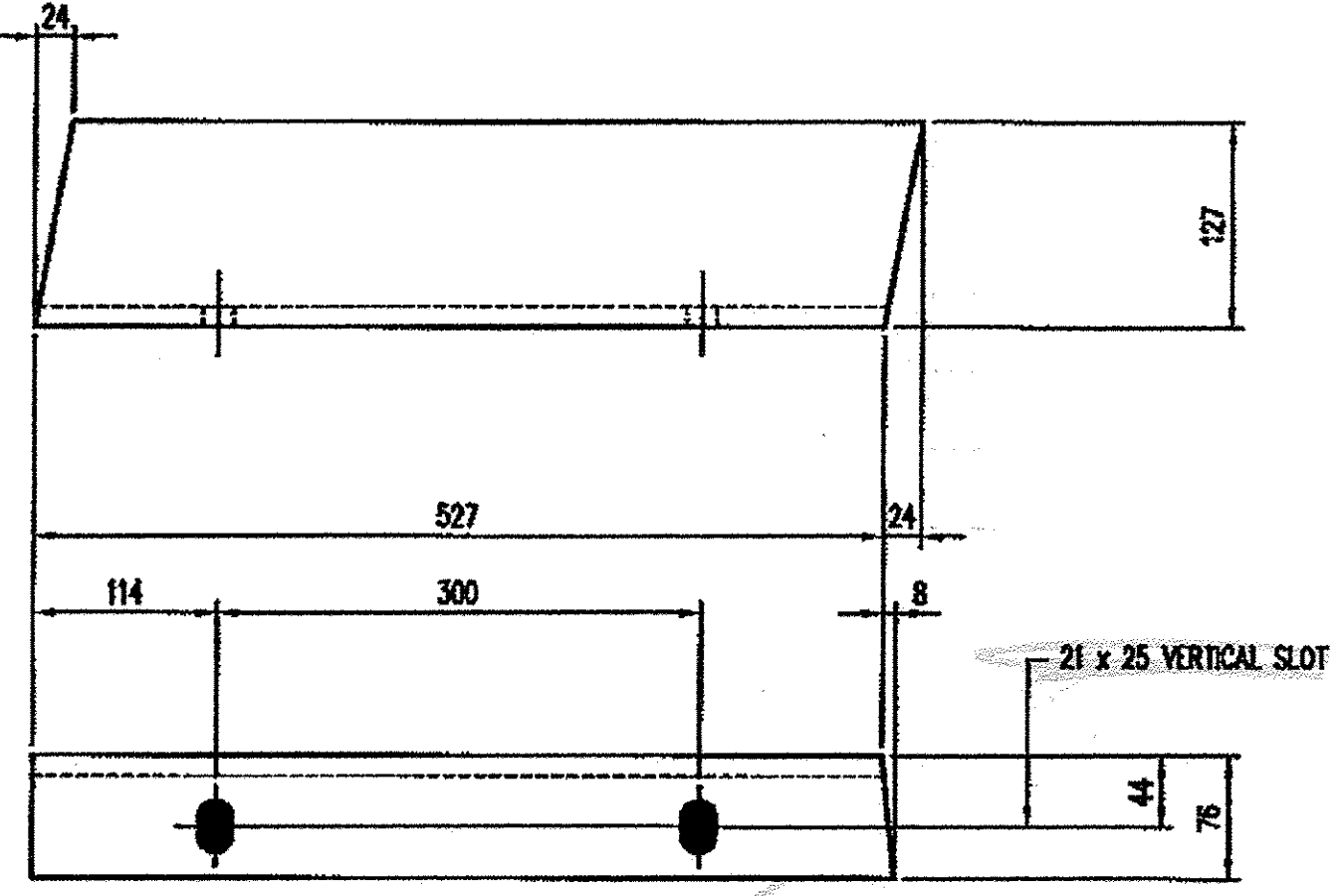
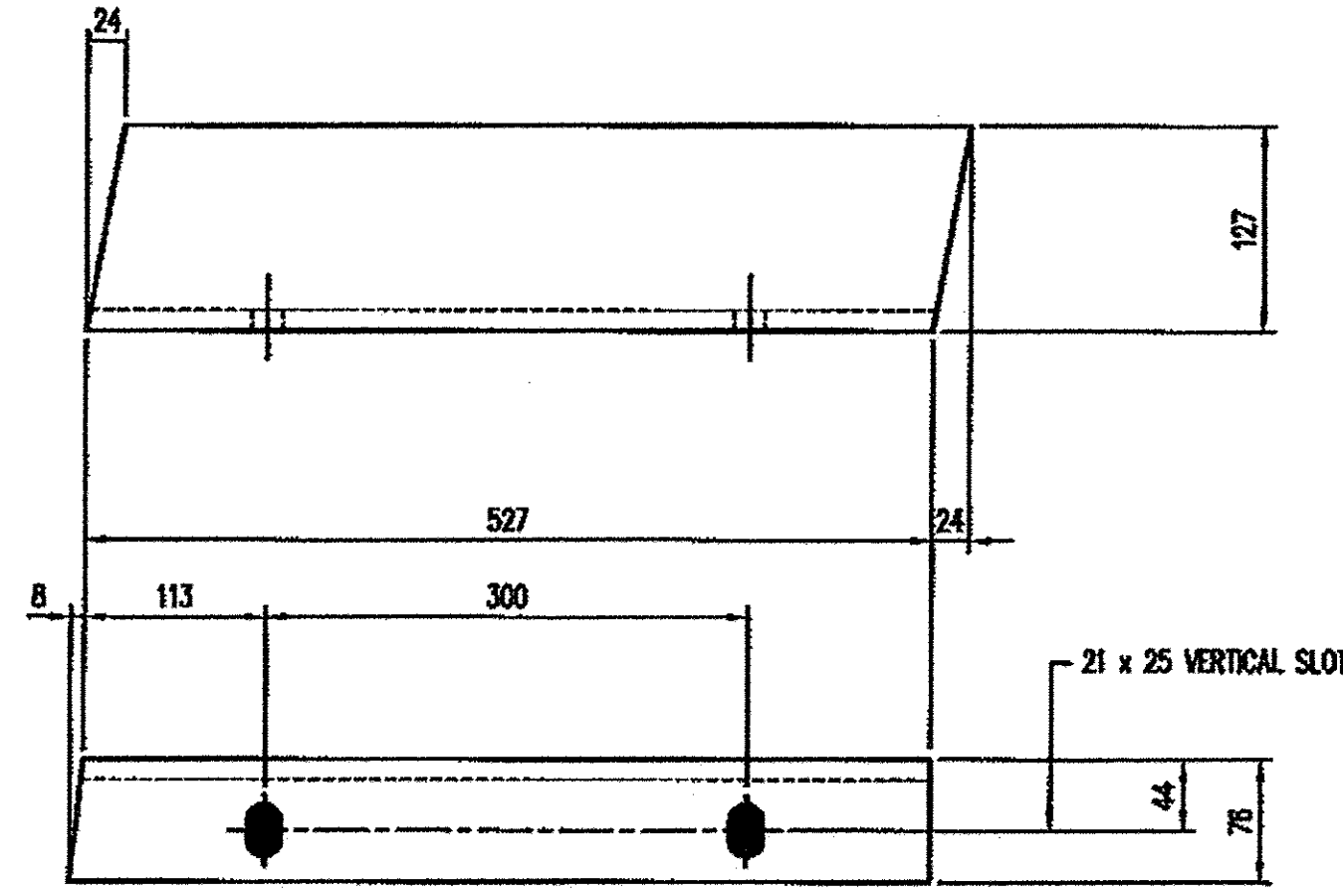


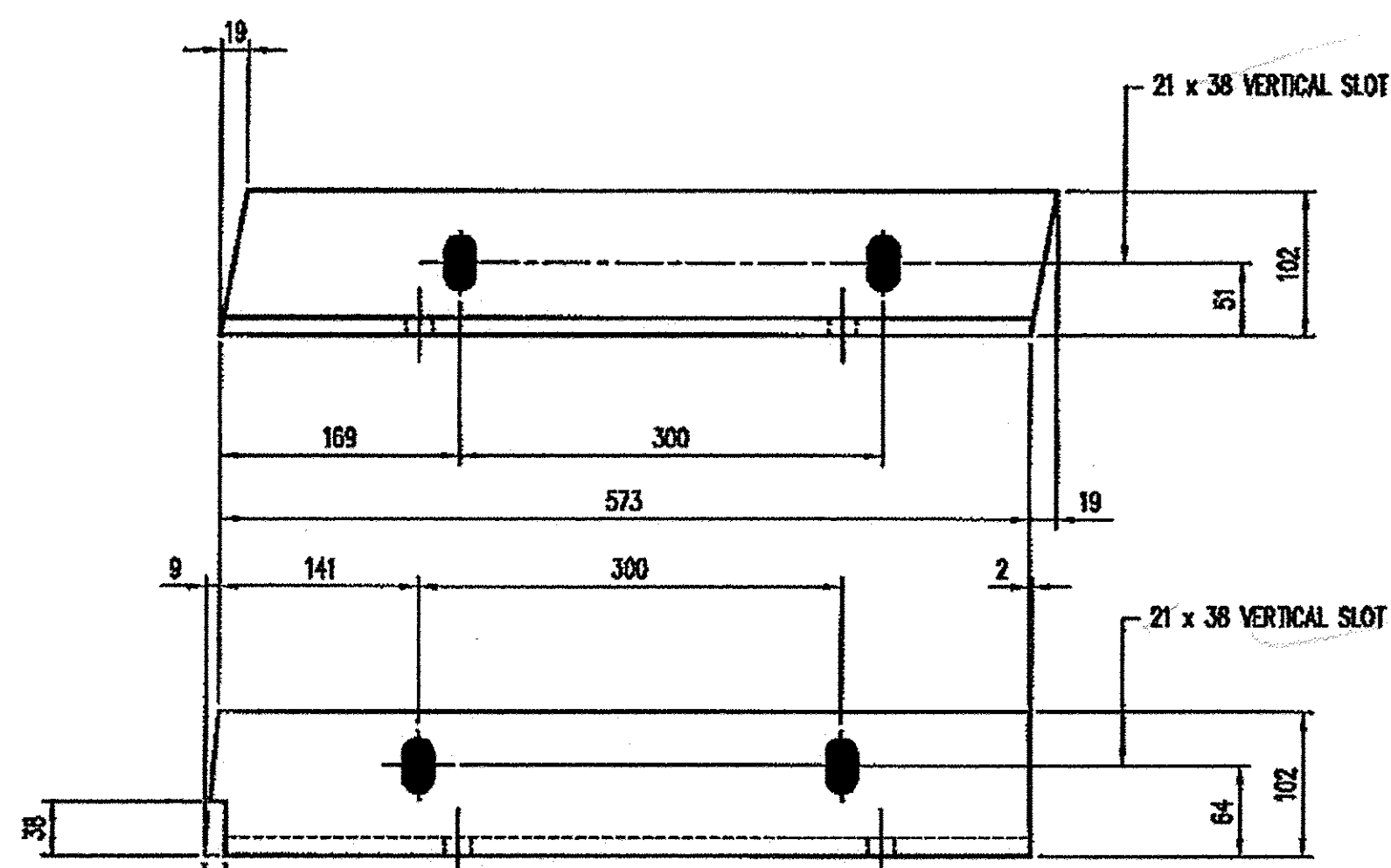
L102 x 76 x 12.7 - ad3



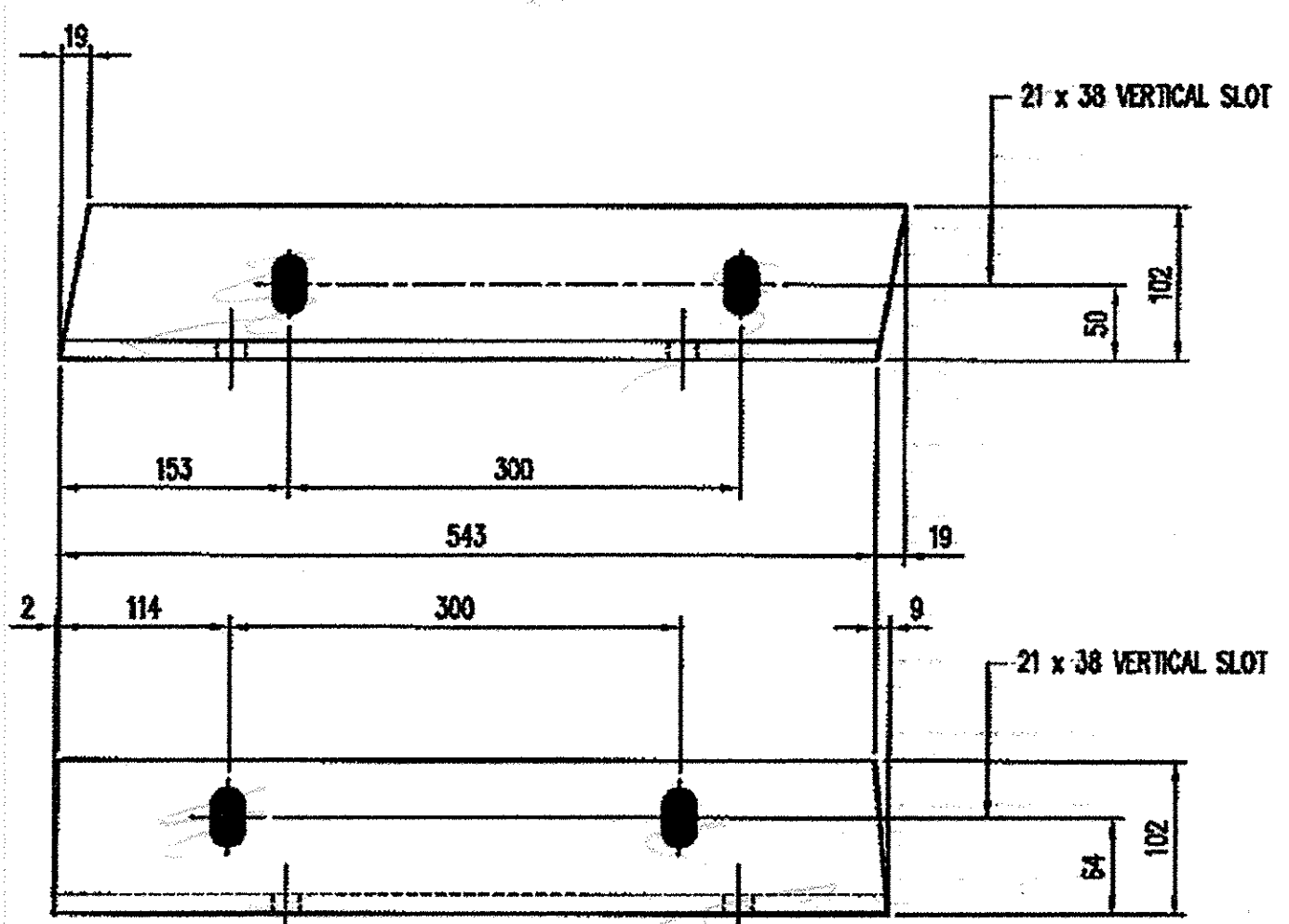
L127 x 76 x 12.7 - ab3



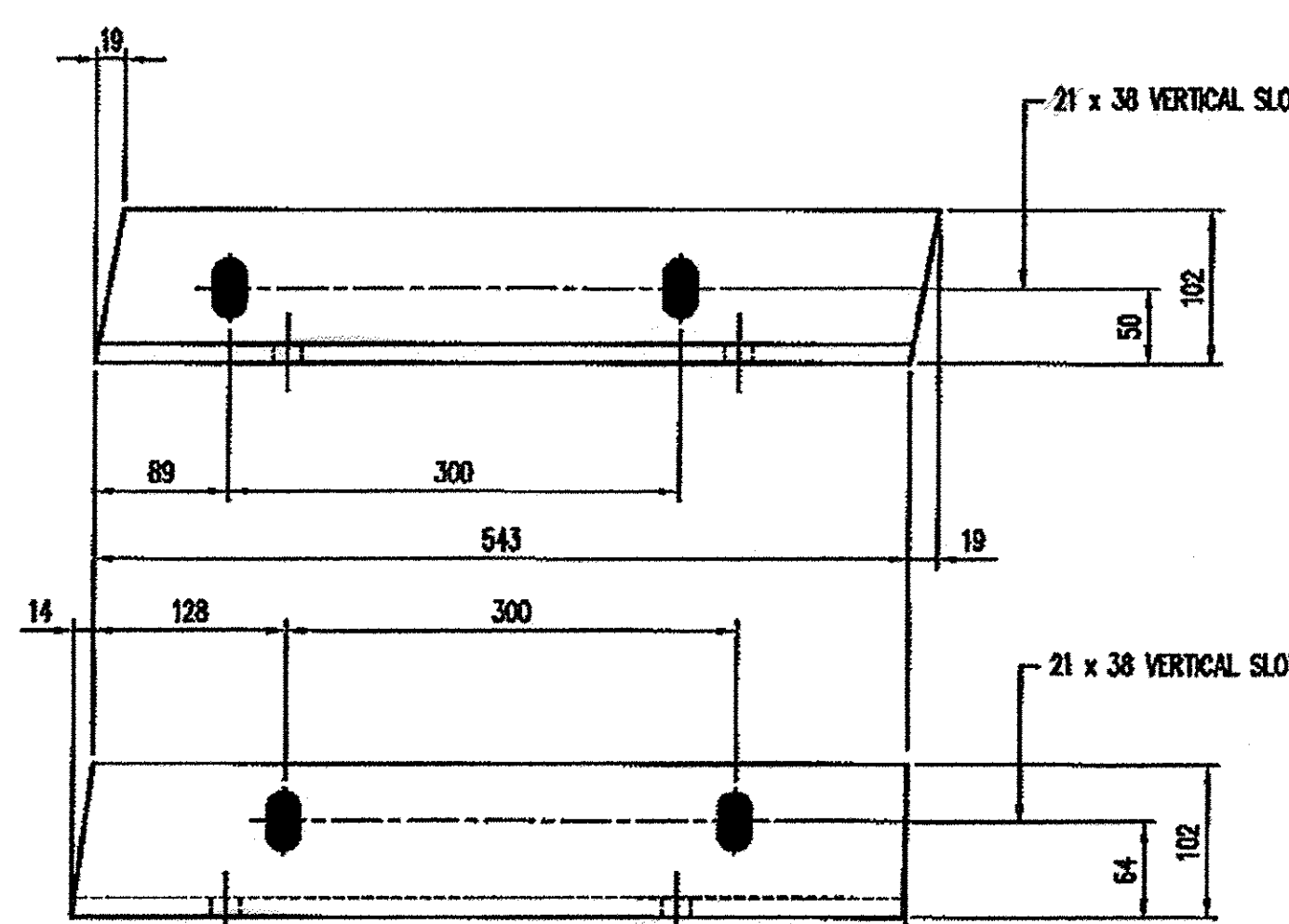
L127 x 76 x 12.7 - ab4



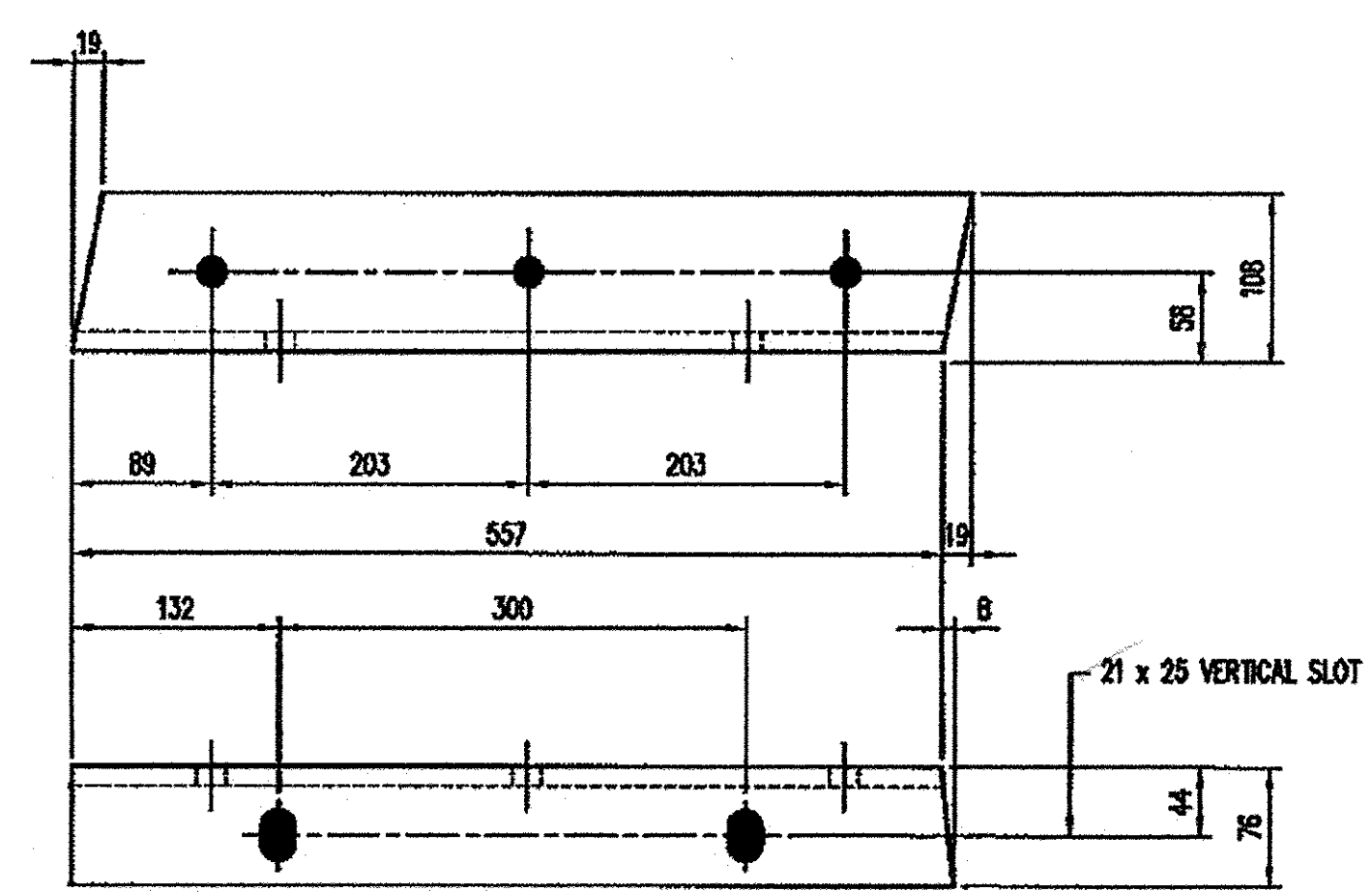
L102 x 102 x 12.7 - ac3



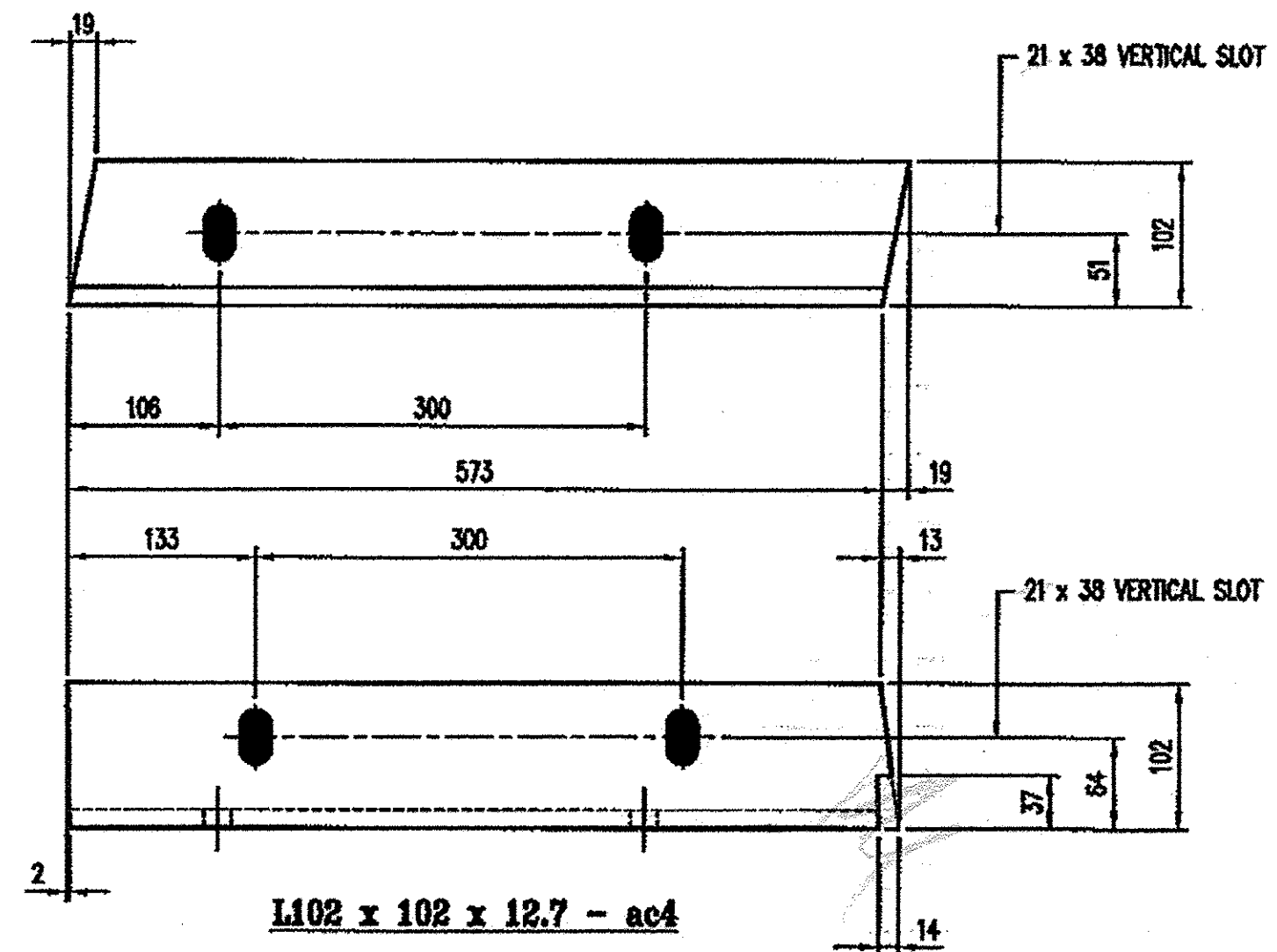
L102 x 102 x 12.7 - ac8



L102 x 102 x 12.7 - ac4



L102 x 76 x 12.7 - ad4



L102 x 102 x 12.7 - ac4

USE THESE ANGLE DETAILS IN ACCORDANCE WITH CURB ASSEMBLIES FOUND ON SHEETS 3 AND 4

IF ANY DRAWINGS ARE REVIEWED UNLESS NOTED OR OTHERWISE INDICATED TAKEN  
 (REVISIONS AS NOTED) (REVISIONS AS NOTED)  
 (REVISIONS AS NOTED) (REVISIONS AS NOTED)  
 (REVISIONS AS NOTED) (REVISIONS AS NOTED)  
 (REVISIONS AS NOTED) (REVISIONS AS NOTED)  
 DATE: 4/20/08  
 SIGNATURE: [Signature]

No.	Description	Date	By	Approved
REVISIONS				

**Niagara Bridge and Rail**  
 4817 Henry Avenue, Niagara Falls, N.Y. 14304  
 Phone: (716) 283-4710 Fax: (716) 283-5137

Project Information:  
 STATE: VERMONT  
 COUNTY: BENNINGTON  
 CITY / TOWNSHIP: EAST RD. OVER VT ROUTE 279  
 PROJECT NO.: AC NH 019-1(53)  
 OWNER: VT-ADT  
 CONTRACTOR:

Drawn By: JLB Date: 4/24/08 Checked By: TFW Date: 4/25/08  
 Description: VERMONT - EXPANSION JOINT DETAIL CURB PLATE ANGLE DETAILS  
 Sheet No: 6 of 180 Code: NONE  
 Drawing No: 10063-01 Rev No: -

RECEIVED  
 MAY 05 2008  
 G.P.I.