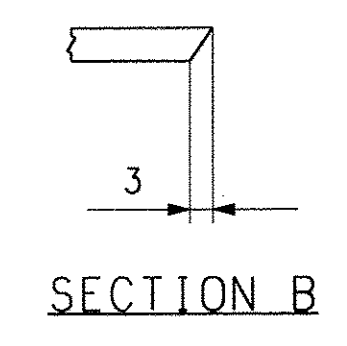
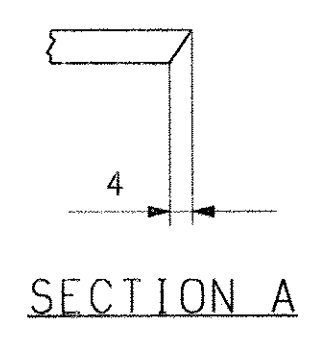
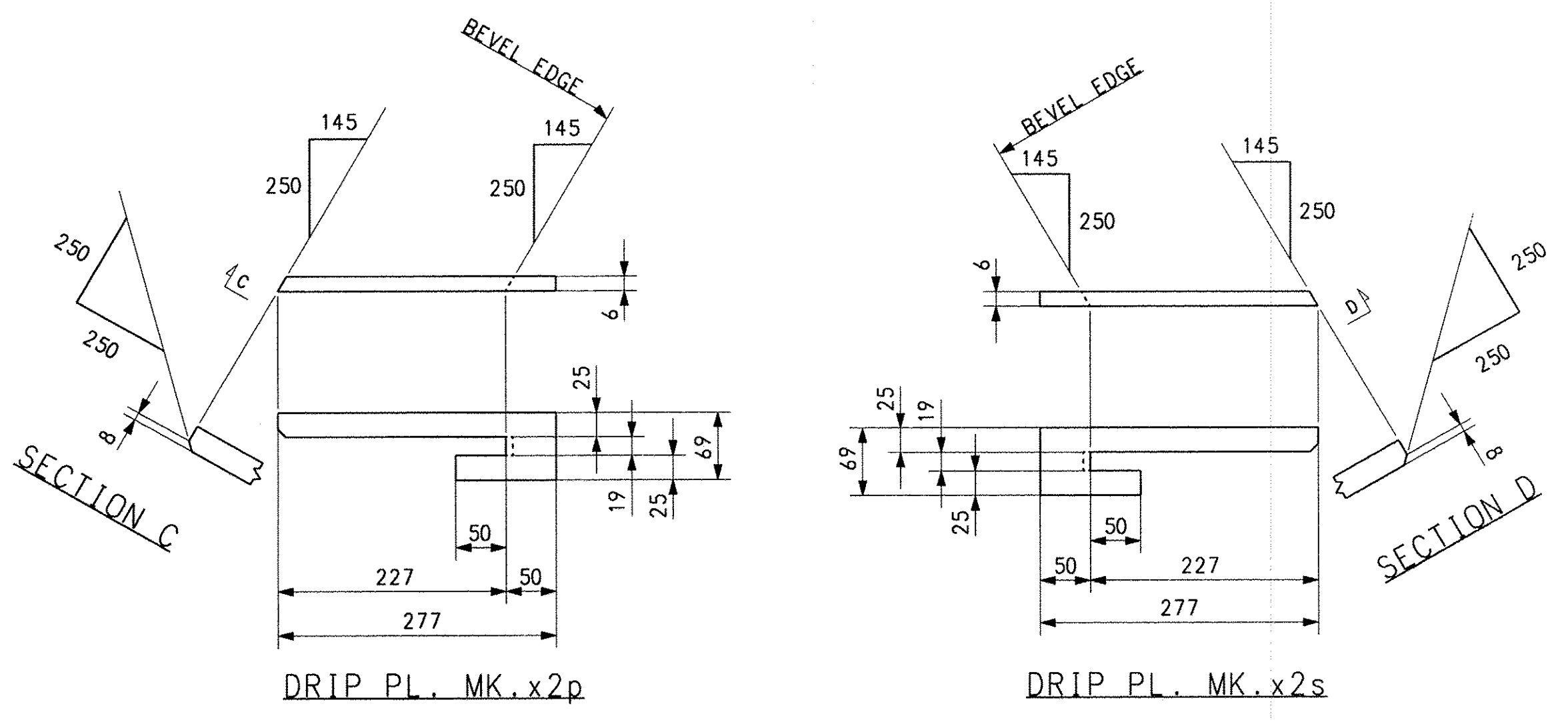
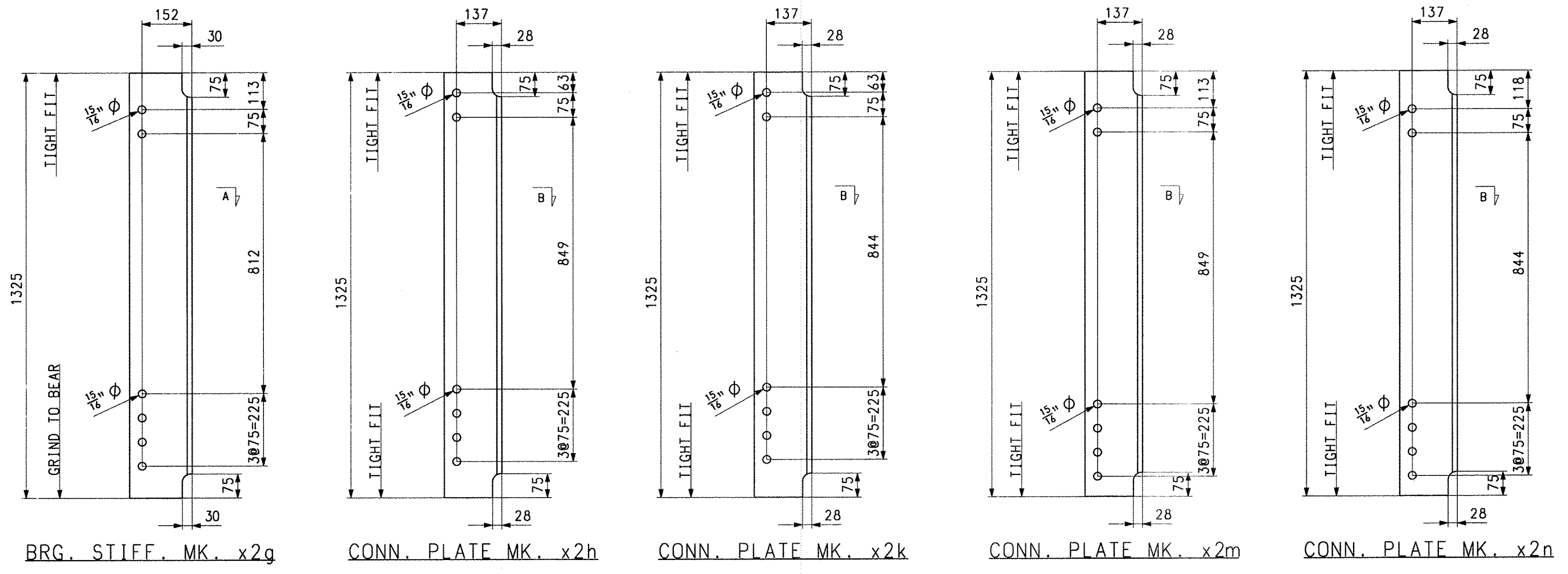
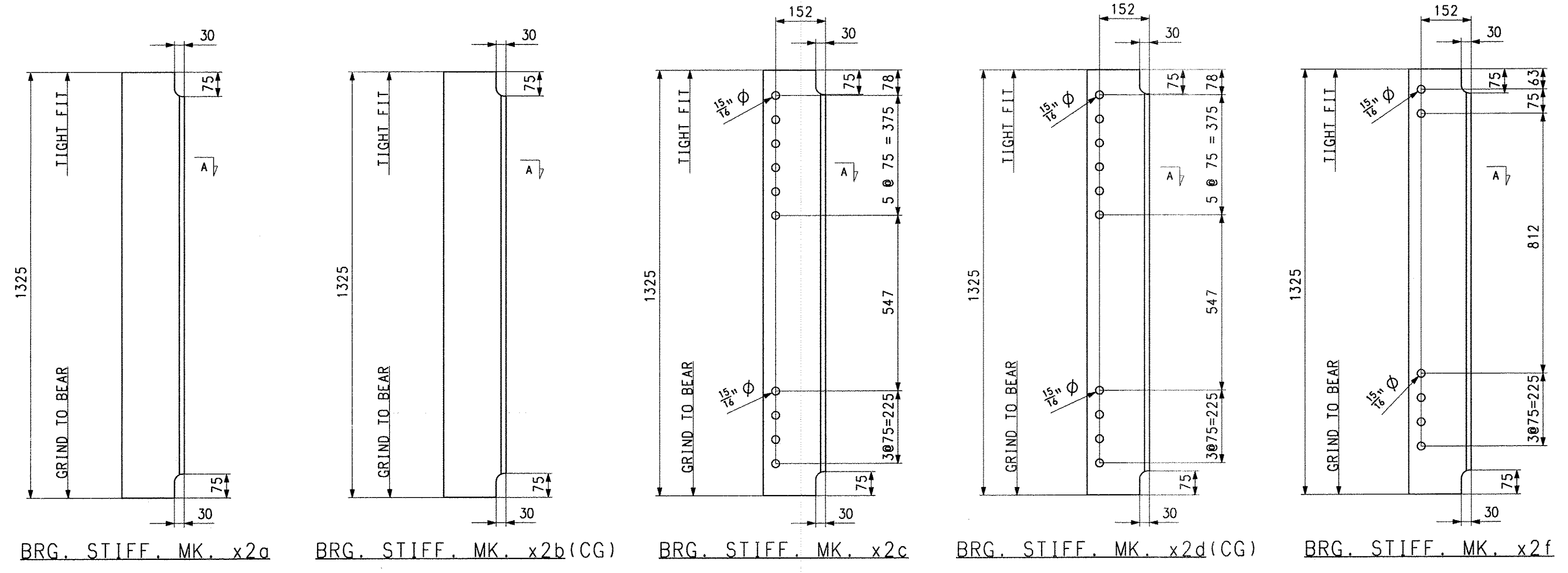


SHIPMENT 1 PMAKENG: 5002814 PRD: 5002815 SHIPPERECT: 5002816

BY: MKReide  
PLOTTED: 10/02/07 14:13:26



BILL OF MATERIAL

| QTY | MARK | COMMODITY | DESCRIPTION | LENGTH | SPEC  | GRADE | TEST | REMARKS | ITEM  | GROSS WEIGHT EA. | DEDUCTED WEIGHT EA. | NET WEIGHT EA. |
|-----|------|-----------|-------------|--------|-------|-------|------|---------|-------|------------------|---------------------|----------------|
| 4   | x2a  | PL        | 22.2 x 190  | 1325   | M270M | 345W  |      |         | 70001 | 43.87            | 0                   | 43.87          |
| 2   | x2b  | PL        | 22.2 x 190  | 1325   | M270M | 345W  |      |         | 70001 | 43.87            | 0                   | 43.87          |
| 2   | x2c  | PL        | 22.2 x 190  | 1325   | M270M | 345W  |      |         | 70001 | 43.87            | 0                   | 43.87          |
| 2   | x2d  | PL        | 22.2 x 190  | 1325   | M270M | 345W  |      |         | 70001 | 43.87            | 0                   | 43.87          |
| 1   | x2e  | PL        | 22.2 x 190  | 1325   | M270M | 345W  |      |         | 70001 | 43.87            | 0                   | 43.87          |
| 1   | x2g  | PL        | 22.2 x 190  | 1325   | M270M | 345W  |      |         | 70001 | 43.87            | 0                   | 43.87          |
| 4   | x2h  | PL        | 14.3 x 175  | 1325   | M270M | 345W  |      |         | 70002 | 26.03            | 0                   | 26.03          |
| 5   | x2i  | PL        | 14.3 x 175  | 1325   | M270M | 345W  |      |         | 70002 | 26.03            | 0                   | 26.03          |
| 4   | x2j  | PL        | 14.3 x 175  | 1325   | M270M | 345W  |      |         | 70002 | 26.03            | 0                   | 26.03          |
| 5   | x2k  | PL        | 14.3 x 175  | 1325   | M270M | 345W  |      |         | 70002 | 26.03            | 0                   | 26.03          |
| 2   | x2l  | PL        | 6.4 x 69    | 277    | M270M | 345W  |      |         | 70003 | 0.96             | 0                   | 0.96           |
| 2   | x2m  | PL        | 6.4 x 69    | 277    | M270M | 345W  |      |         | 70003 | 0.96             | 0                   | 0.96           |

|   |                 |                     |                      |                   |
|---|-----------------|---------------------|----------------------|-------------------|
| NO.   | REVISION        | BY                  | CHK'D                | DATE              |
|   |                 |                     |                      |                   |
| GIRDER JOB STANDARDS<br>SHARED USE PATH OVER VT ROUTE 279<br>SHARED USE PATH STA. 1+148.400 TO STA. 1+220.200<br>TOWN OF BENNINGTON VERMONT, BRIDGE B11<br>STATE OF VERMONT<br>AGENCY OF TRANSPORTATION |                 |                     |                      |                   |
| STATE CONT. OR REF. NO.   | AC NH 019-1(53) | FED. AID PROJ. NO.  |                      |                   |
| SCALE   | N.T.S.          | GENERAL CONTRACTOR  | J. A. McDONALD, INC. | HSSI PROJ. MGR    |
| SHPMT   | 2               | DRAWING MANAGER     | BRITIGAN (IH)        | MADE BY ERS       |
| STATE   | VT              | HSSI PROJECT NUMBER | S-1070147            | HSSI STRUCT. ID C |
|   |                 |                     | CHK'D BY CS          | DATE 9-25-07      |
|   |                 |                     | X2 OF X2             |                   |