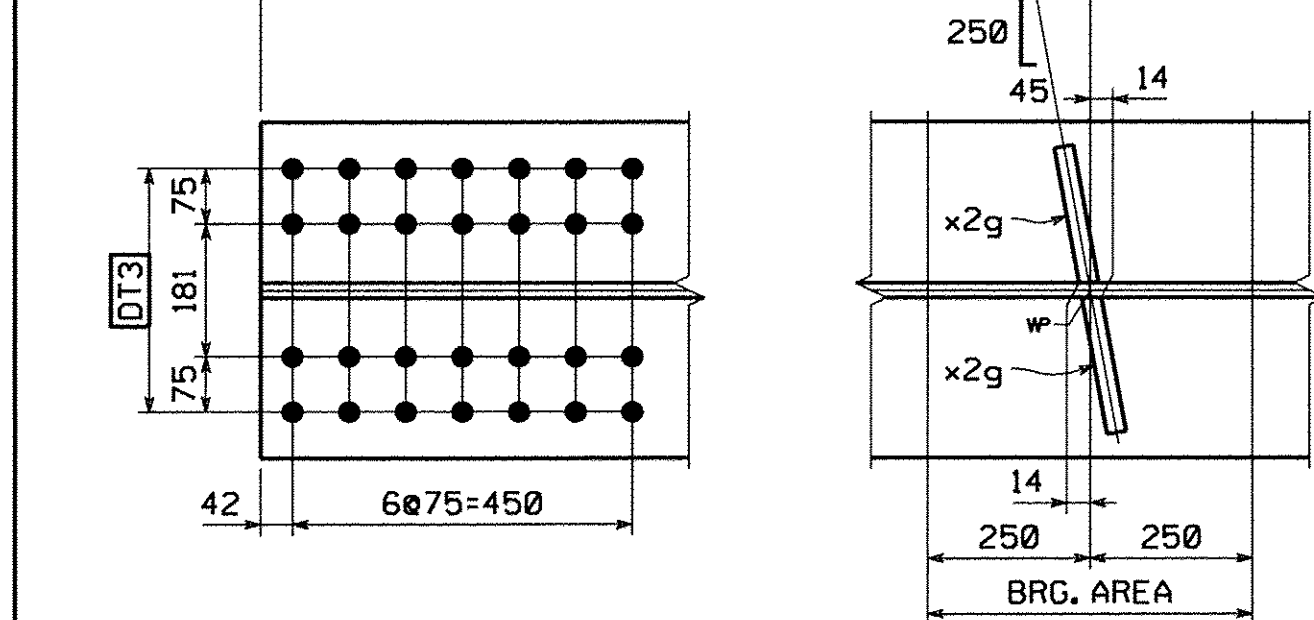
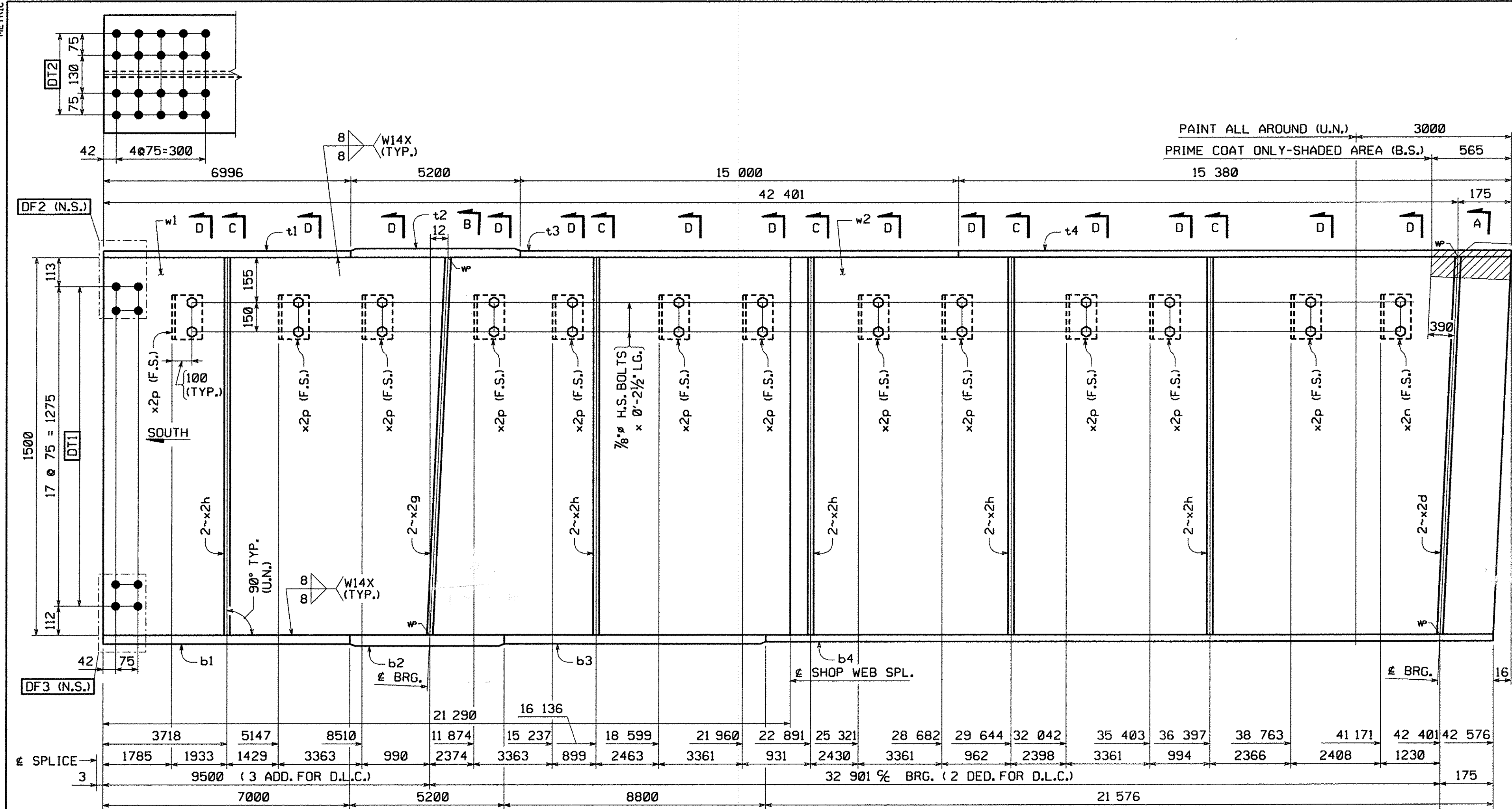
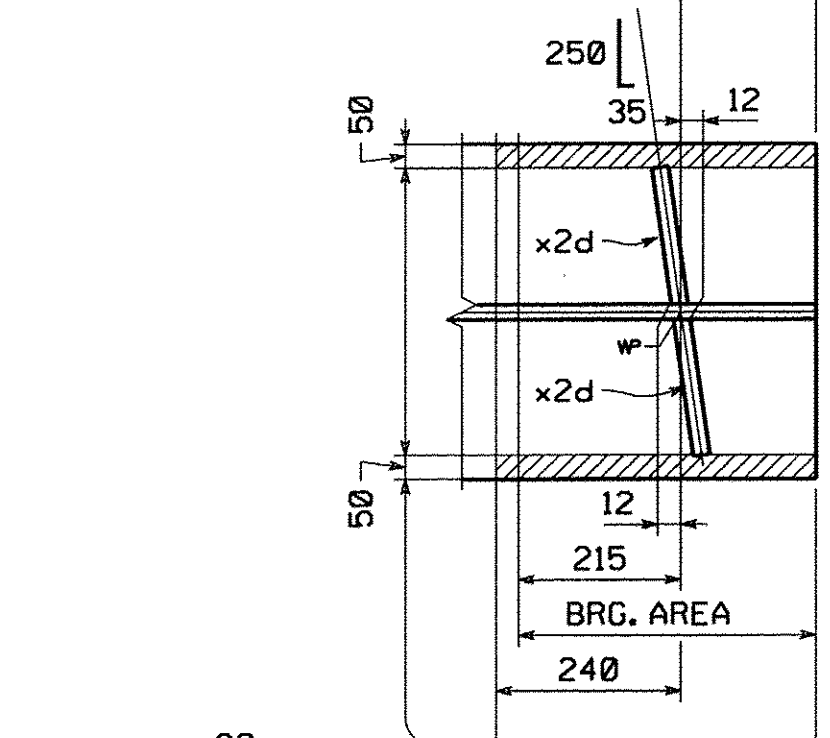


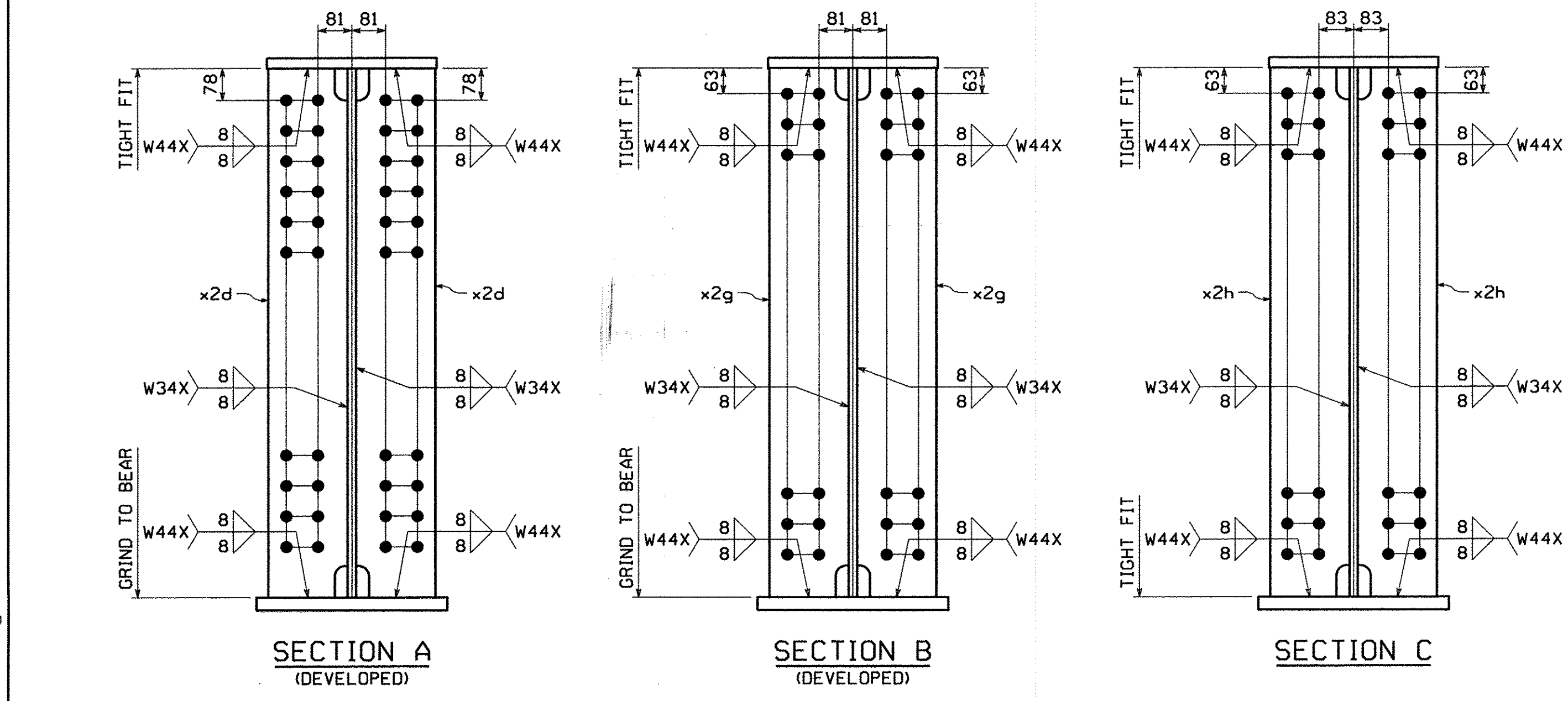
METRIC



GIRDER ~ MK. G3B
 FOR GENERAL SHOP NOTES, SEE DWG. GNI.
 FOR WEB CAMBER DIAGRAM, SEE DWG. WC1.
 FOR HORIZ. CURVE DIAGRAM, SEE DWG. HC1.

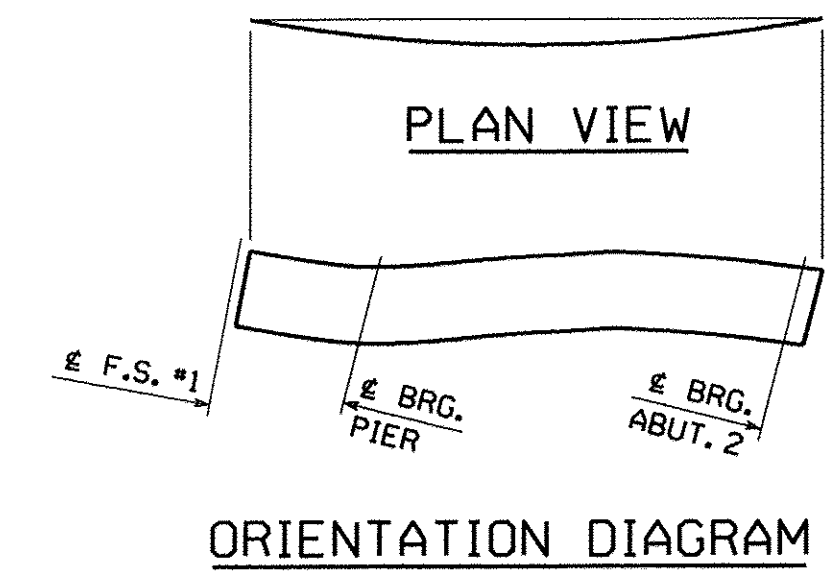


(LIGHT RUST PREVENTIVE COAT OF PRIMER (F.S.), EDGES & SHADED AREA (N.S.))



BILL OF MATERIAL												
QTY EA	MARK	COMM	DESCRIPTION	LENGTH	SPEC	GRADE	TEST	REMARKS	ITEM	GROSS WT. EA	NET WT. EA	
1	G3B		GIRDER							15 916.34	2.64	15 913.71
1	w1	PL	14 x 1500	21 290	M270M	345W	T		03001	3509.23	1.32	3507.91
1	w2	PL	14 x 1500	21 303	M270M	345W	T		03002	3511.37	1.32	3510.06
1	t1	PL	25 x 406	6 996	M270M	345W	T		04012	557.36	0.00	557.36
1	t2	PL	42 x 406	5 200	M270M	345W	T		04002	695.98	0.00	695.98
1	t3	PL	25 x 406	15 000	M270M	345W	T		04010	1195.02	0.00	1195.02
1	t4	PL	25 x 406	15 381	M270M	345W	T		04009	1225.37	0.00	1225.37
1	b1	PL	32 x 457	7 000	M270M	345W	T		04006	803.49	0.00	803.49
1	b2	PL	45 x 457	5 200	M270M	345W	T		04001	839.36	0.00	839.36
1	b3	PL	32 x 457	8 800	M270M	345W	T		04005	1010.10	0.00	1010.10
1	b4	PL	25 x 457	21 577	M270M	345W	T		04007	1934.93	0.00	1934.93
2	x2d	PL	22.2 x 190	1 500	M270M	345W	T		07001	49.72	0.00	49.72
2	x2g	PL	25.4 x 190	1 500	M270M	345W	T		07002	56.82	0.00	56.82
10	x2h	PL	14.3 x 190	1 500	M270M	345W	T		07003	31.96	0.00	31.96
1	x2n	L	203 x 152 x 12.7	226	M270M	345W			07005	85.00	0.00	85.00
12	x2p	L	203 x 152 x 12.7	226	M270M	345W			07005	7.80	0.00	7.80
26	140208	HS Bolt	7/8	2 1/2	M164 Type 3 (RCT)				17002	0.00	0.00	0.00
2	140208-G	HS Bolt	7/8	2 1/2	M164 Type 1 (RCT)			Mech. Galv.	17001	0.00	0.00	0.00
26	W14	Std Wash	7/8		M293 Weathering (RCT)				17006	0.00	0.00	0.00
2	W14-G	Std Wash	7/8		M293 (RCT)			Mech. Galv.	17005	0.00	0.00	0.00
26	N14	Nut	7/8		M291 (RCT)		DH3		17004	0.00	0.00	0.00
2	N14-G	Nut	7/8		M291 (RCT)		DH	Mech. Galv.	17003	0.00	0.00	0.00

TOTAL WEIGHT THIS SHEET: 15 913.71 kgs



NO.	REVISION	BY	CHK'D	DATE
COATING EAST ROAD OVER VT ROUTE 279 EAST ROAD STA. 1+148.400 TO STA. 1+220.200 TOWN OF BENNINGTON VERMONT, BRIDGE B11 STATE OF VERMONT AGENCY OF TRANSPORTATION				
SCALE N.T.S. GENERAL CONTRACTOR: J.A. McDONALD, INC. HSSI PROJ. MGR: DEB KUPRES				
SHPMT	1	DRAWING MANAGER: BRITIGAN (IH)	MADE BY: JAW	CHK'D BY: CS
STATE	VT	HSSI PROJECT NUMBER: S-1070147	HSSI STRUCT. ID: B	DRAWING NUMBER: 7 OF 12

PLOTTED: 10/17/2007 5:24:03 AM
 BY: MKrcndel
 SHIPMENT 01
 PKGNO: 5022811 PRD: 5022812 SHIPARECT: 5022813