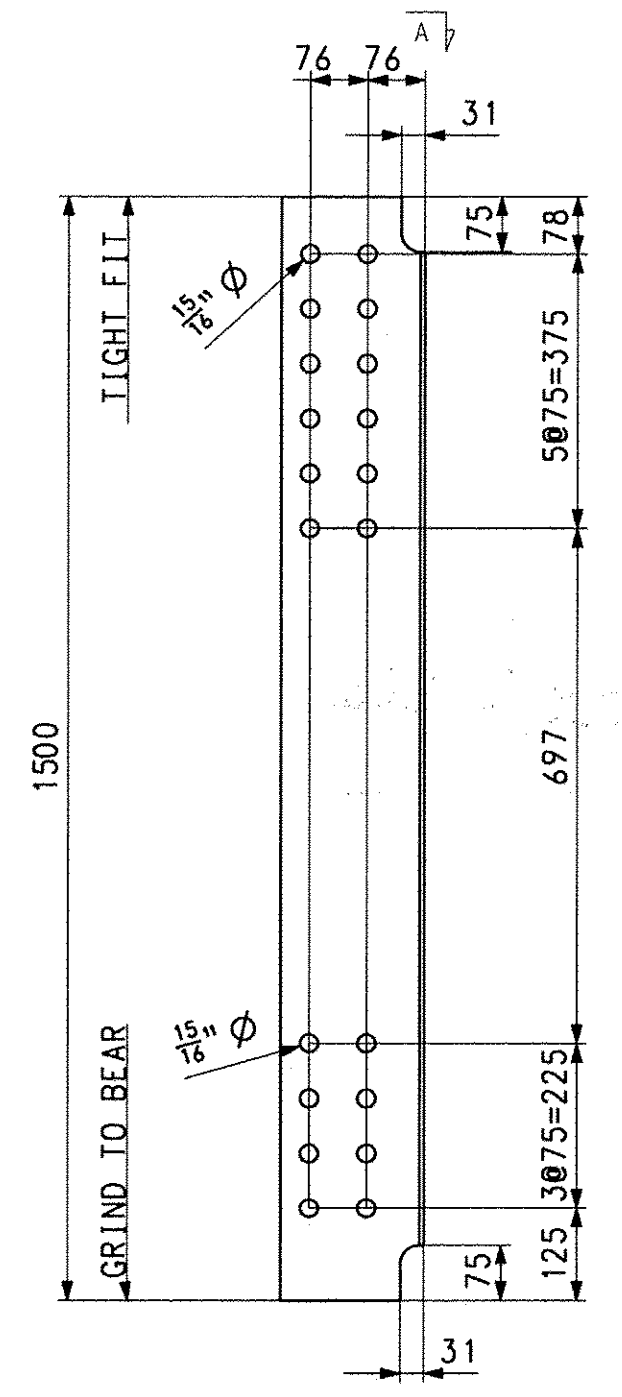
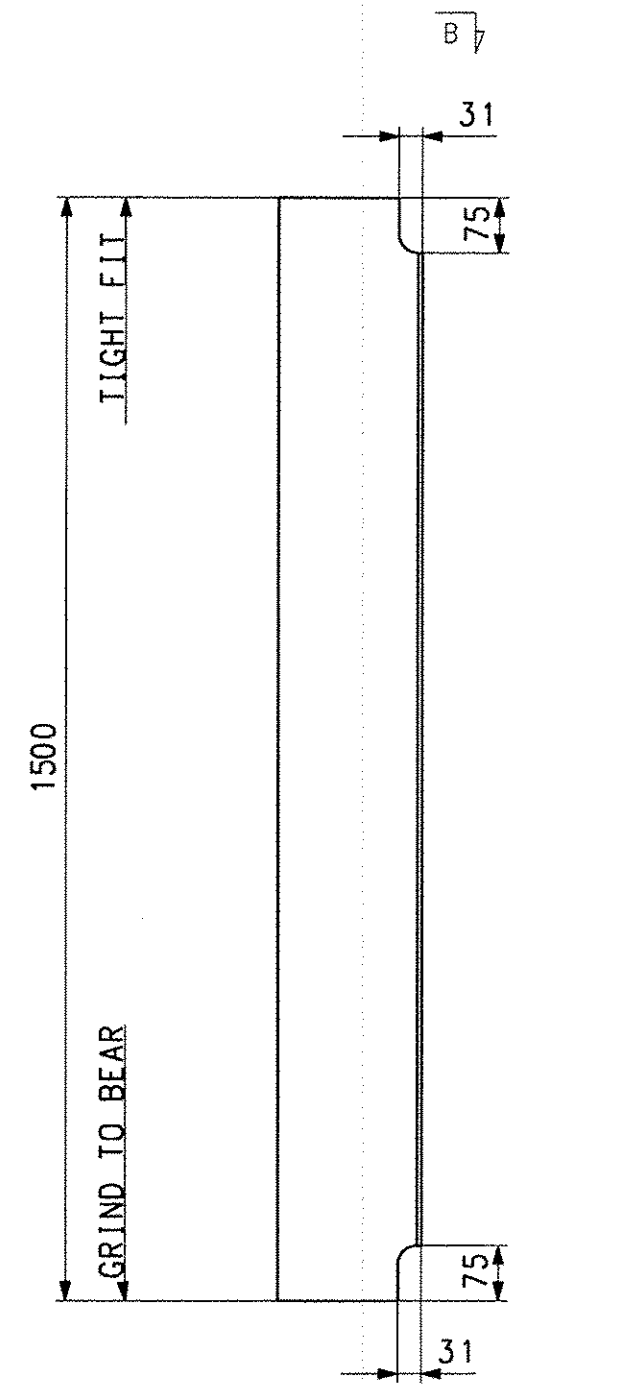


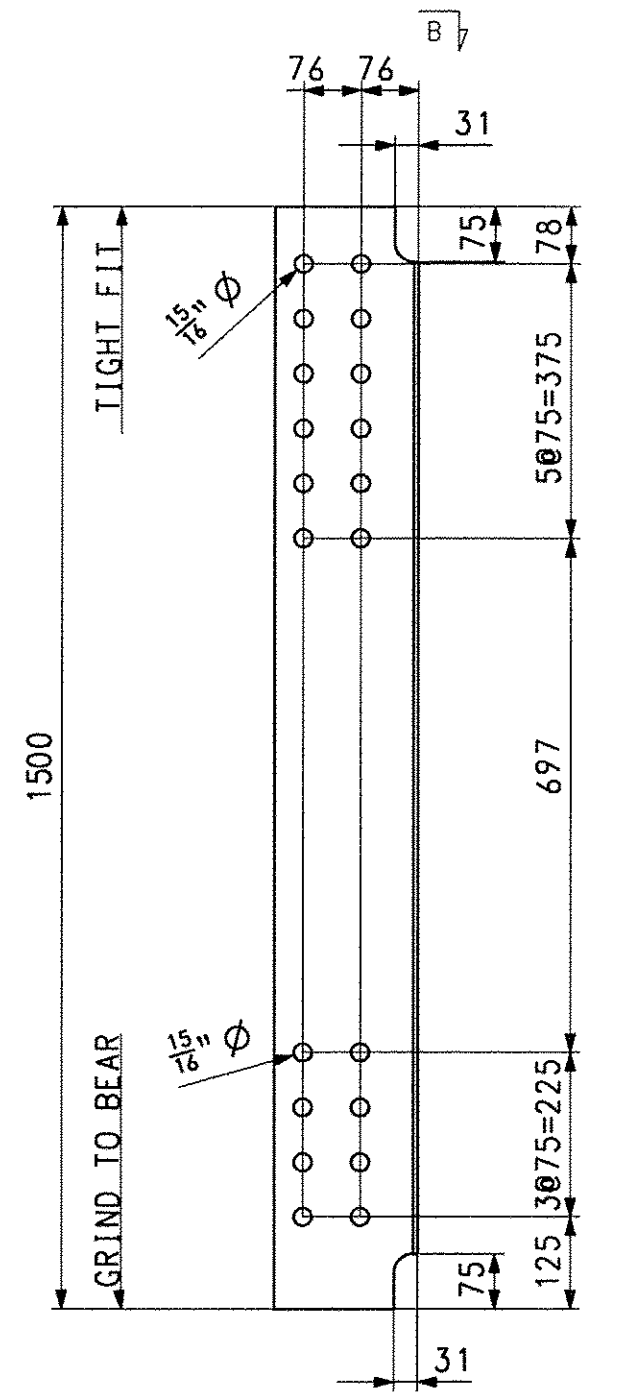
BRG. STIFF. MK. x2a



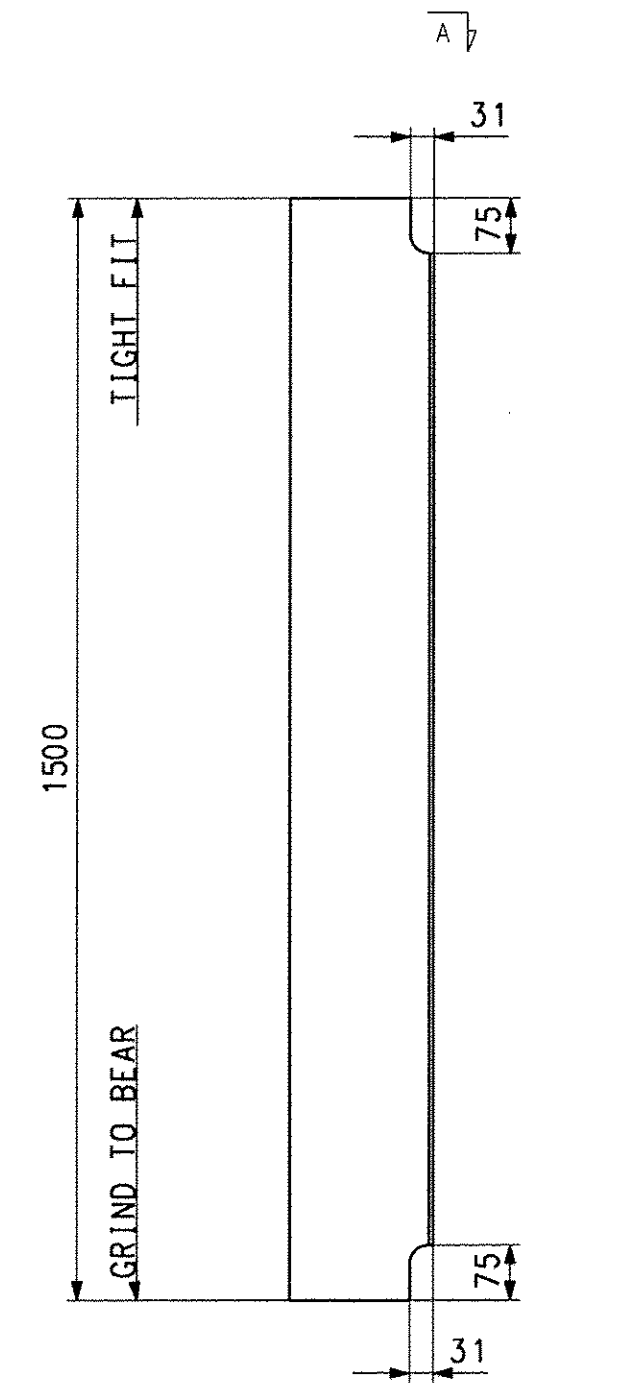
BRG. STIFF. MK. x2b



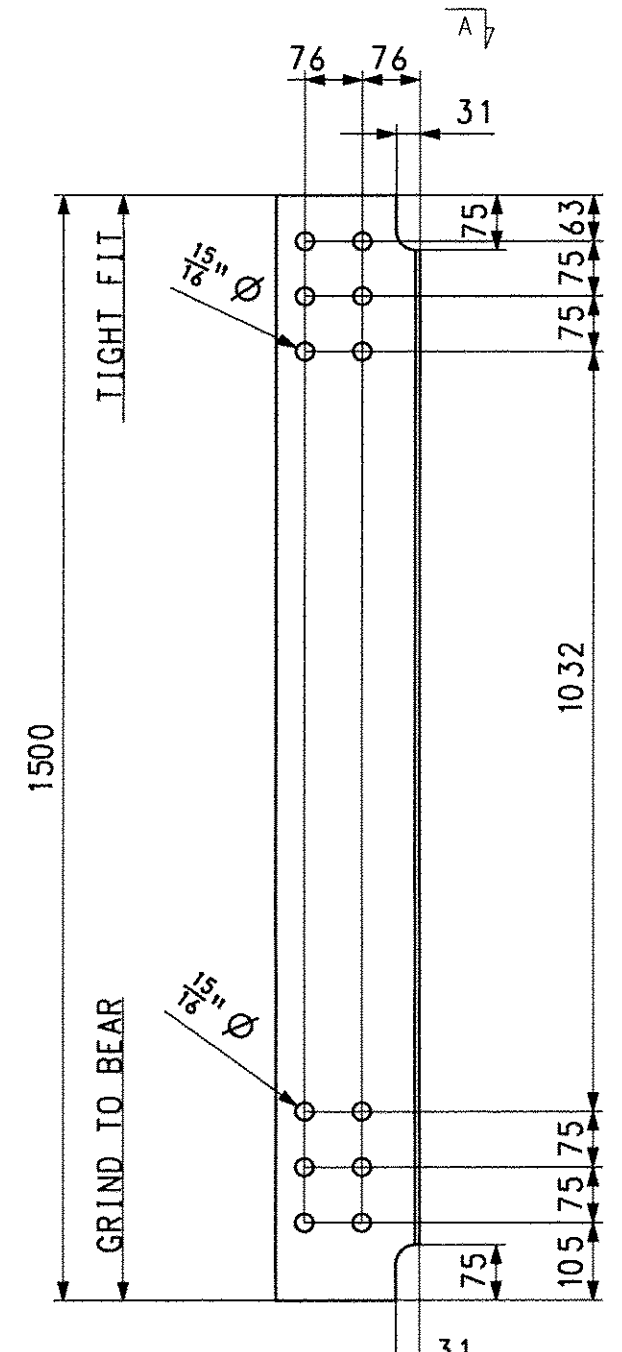
BRG. STIFF. MK. x2c  
(CG)



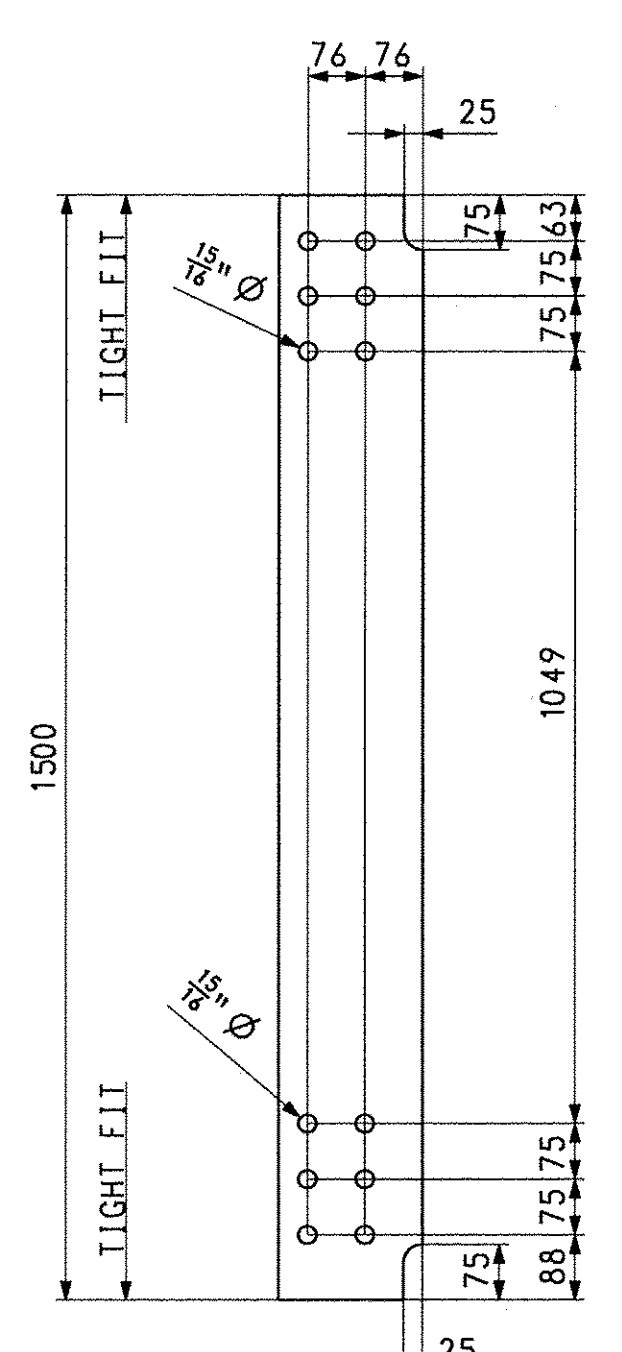
BRG. STIFF. MK. x2d  
(CG)



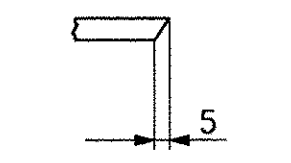
BRG. STIFF. MK. x2f



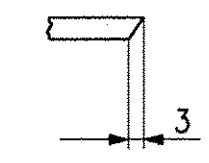
BRG. STIFF. MK. x2g



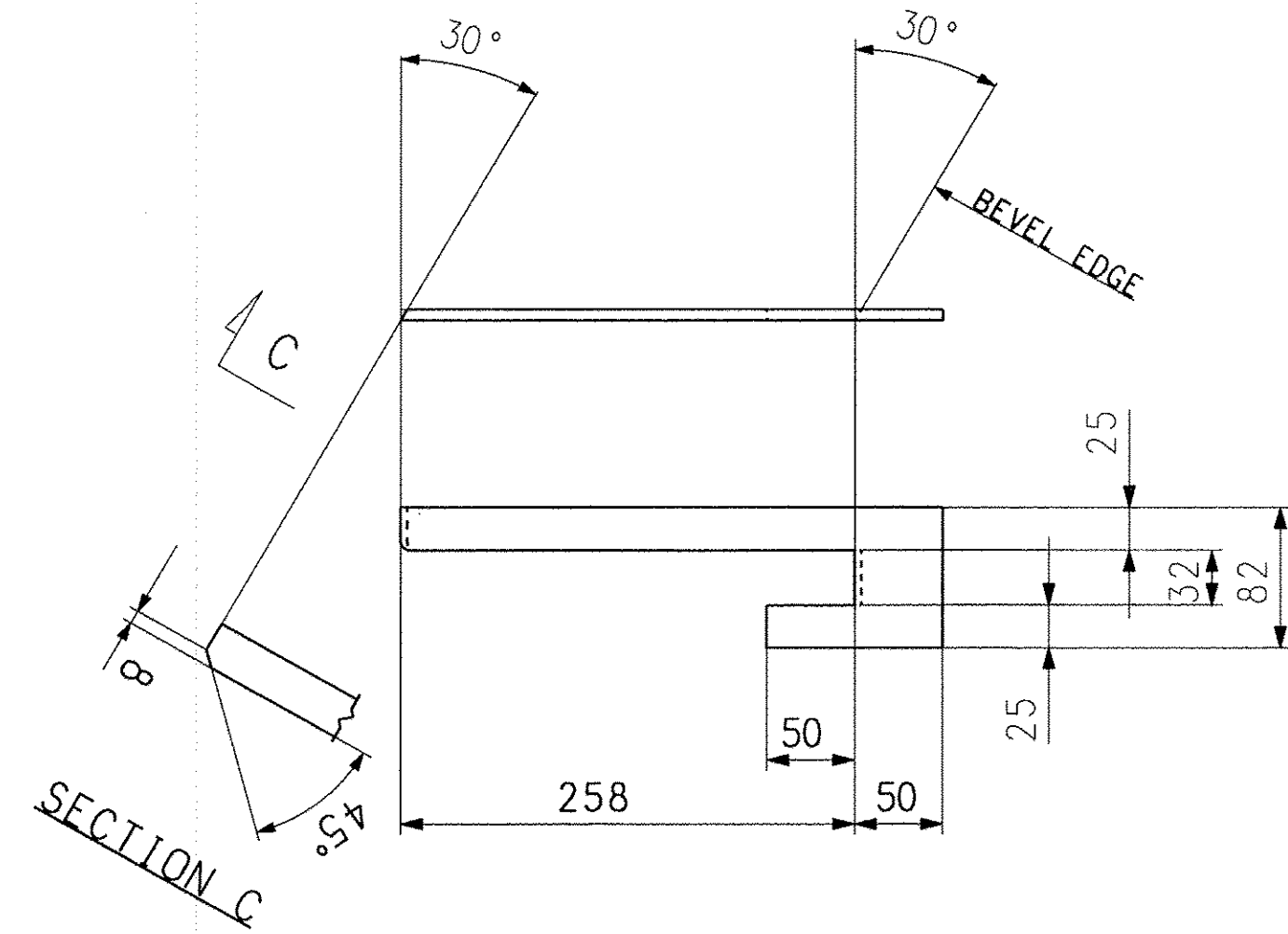
CONN. PLATE. MK. x2h



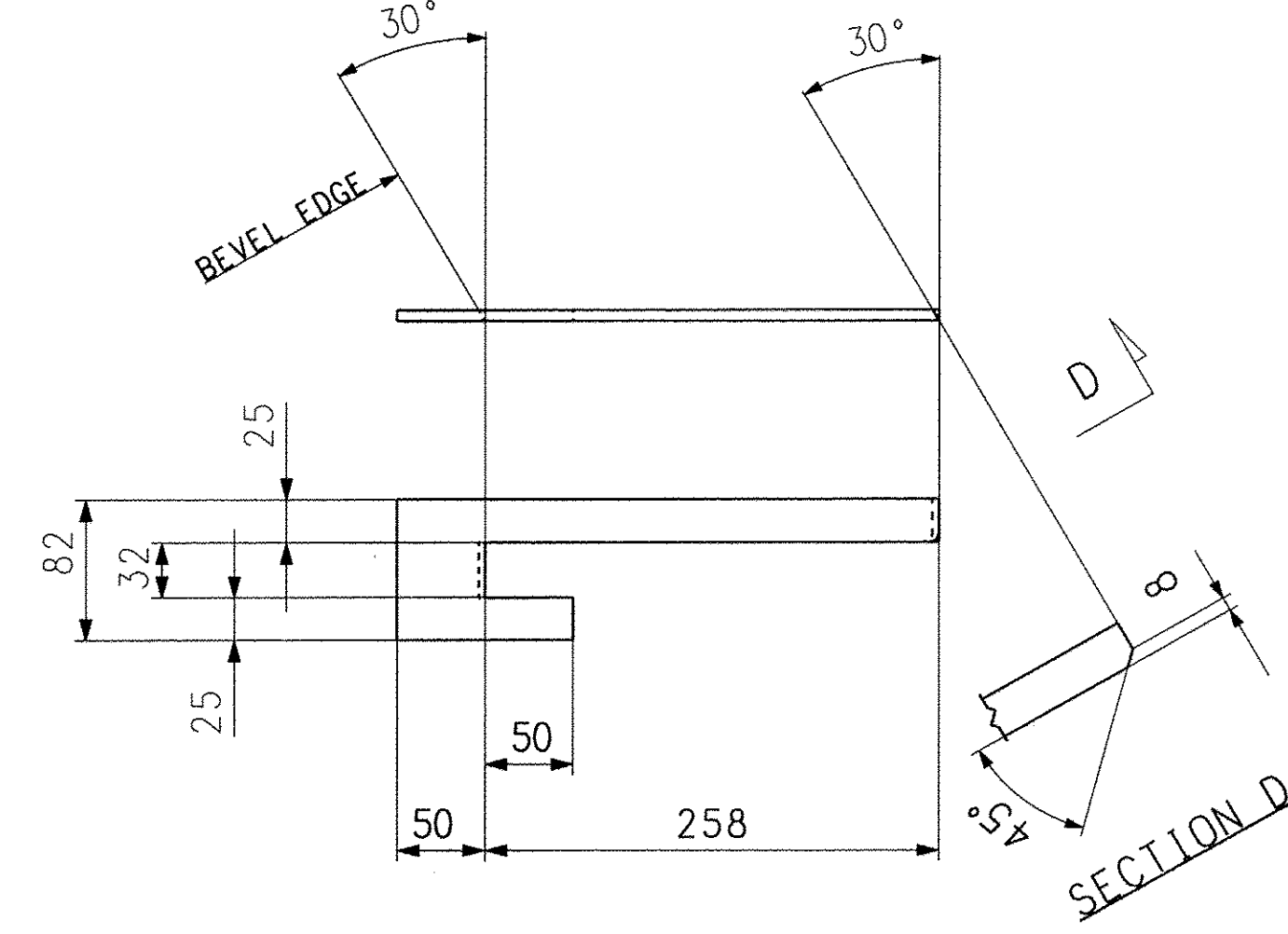
SECTION A



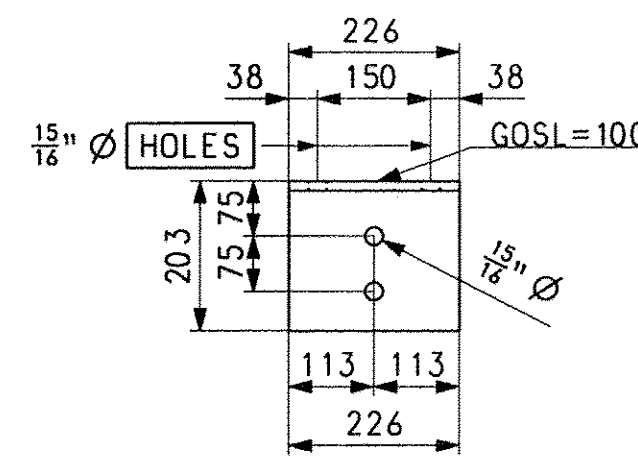
SECTION B



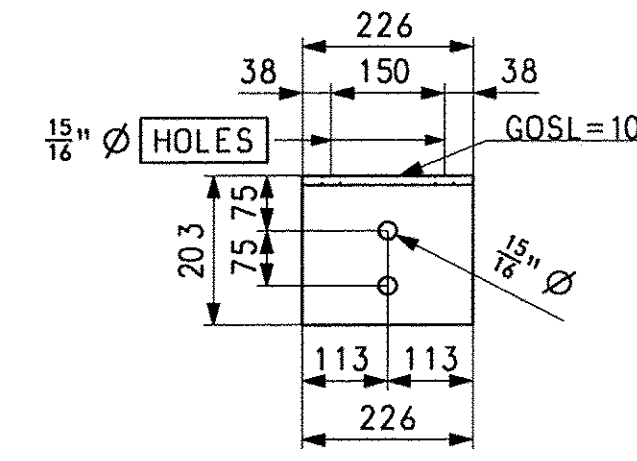
DRIP PLATE - MK. x2k



DRIP PLATE - MK. x2m



CONN. ANGLE - MK. x2n  
(CG)



CONN. ANGLE - MK. x2p

BILL OF MATERIAL

EST. ID	QTY	MARK	COMMODITY	DESCRIPTION	LENGTH	SPEC	GRADE	TEST	REMARKS	ITEM	GROSS WEIGHT EA.	DEDUCTED WEIGHT EA.	NET WEIGHT EA.
BST1	2	x2a	PL	22.2 x 190	1500	M270M	345W	T		07001	49.72		49.72
BST2	6	x2b	PL	22.2 x 190	1500	M270M	345W	T		07001	49.66		49.66
BST1	2	x2c	PL	22.2 x 190	1500	M270M	345W	T		07001	49.72		49.72
BST2	6	x2d	PL	22.2 x 190	1500	M270M	345W	T		07001	49.72		49.72
BST3	2	x2f	PL	25.4 x 190	1500	M270M	345W	T		07002	56.82		56.82
BST4	6	x2g	PL	25.4 x 190	1500	M270M	345W	T		07002	56.82		56.82
CST1	54	x2h	PL	14.3 x 190	1500	M270M	345W	T		07003	31.96		31.96
DRIP1	2	x2k	PL	6.4 x 82	308	M270M	345W			07004	1.27		1.27
DRIP1	2	x2m	PL	6.4 x 82	308	M270M	345W			07004	1.27		1.27
CONSH50	4	x2n	L	203 x 152 x 12.7	226	M270M	345W			07005	7.80		7.80
CONSH51	88	x2p	L	203 x 152 x 12.7	226	M270M	345W			07005	7.80		7.80

NO.	REVISION	BY	CHK'D	DATE
<b>HIGH STEEL STRUCTURES INC.</b> 1915 Old Philadelphia Pike Lancaster, PA 17605-0008 Phone (717) 299-5211 www.highsteel.com				
GIRDER JOB STANDARDS				
EAST ROAD OVER VT ROUTE 279				
EAST ROAD STA. 1+148.400 TO STA. 1+220.200				
TOWN OF BENNINGTON VERMONT, BRIDGE B11				
STATE OF VERMONT				
AGENCY OF TRANSPORTATION				
STATE CONT. OR REF. NO.	AC NH 019-1(53)	FED. AID PROJ. NO.		
SCALE	N.T.S.	GENERAL CONTRACTOR	J.A. McDONALD, INC.	HSEI PROJ. MGR
STATE	VT	DRAWING NUMBER	S-1070147	HSEI STRUCT. ID
SHPMT	1	DRAWING MANAGER	BRITTIGAN (IH)	MADE BY
DATE	9-18-07	CHK'D BY	CS	DEB KUPRES
DRAWING NUMBER X2 OF X2				