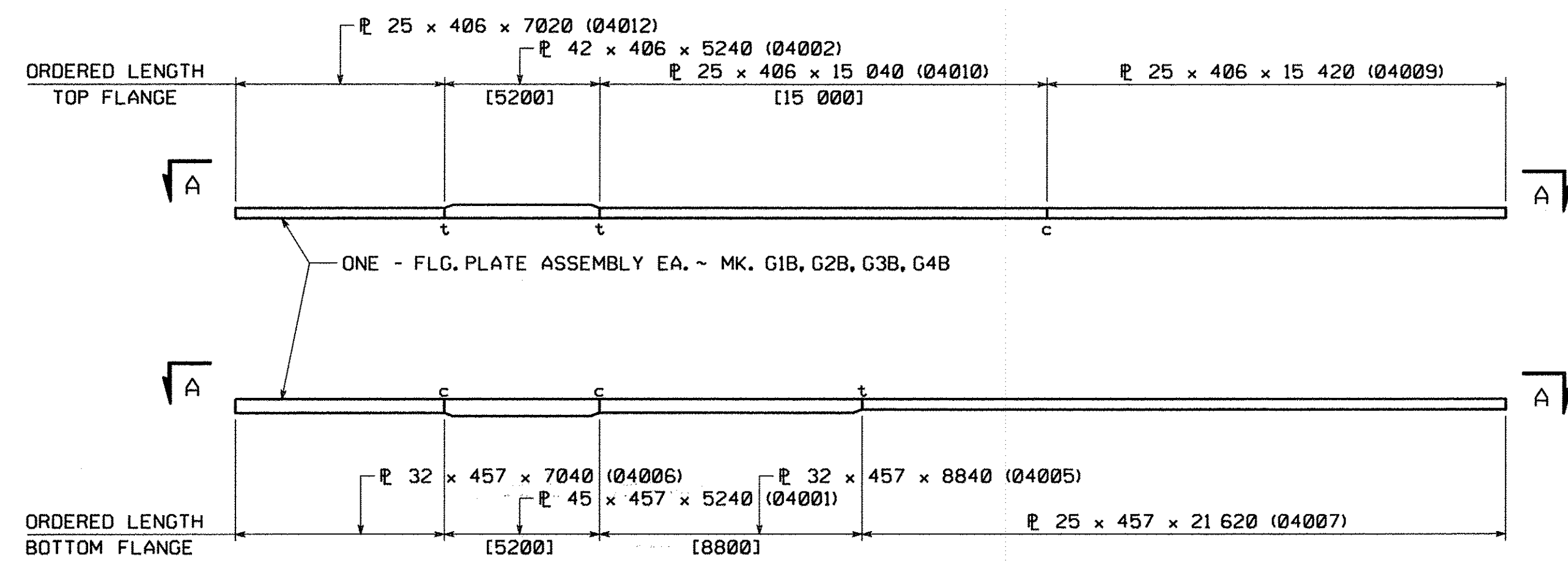
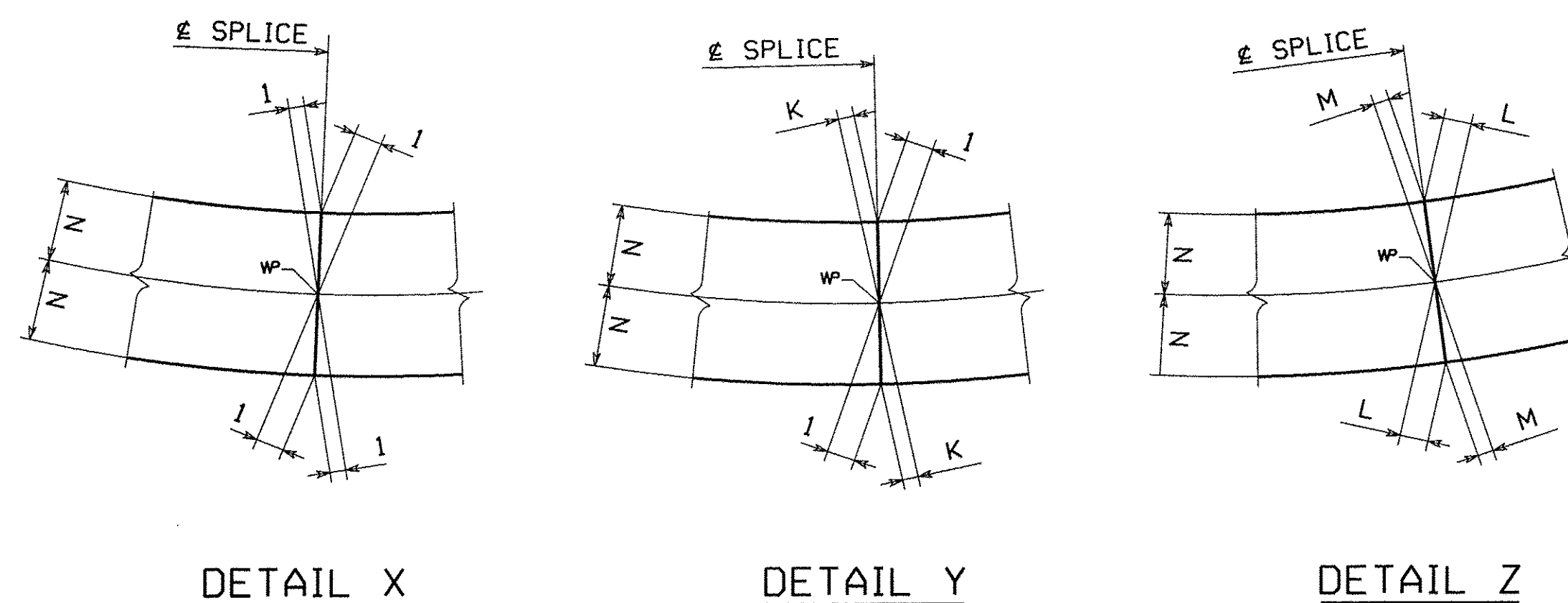
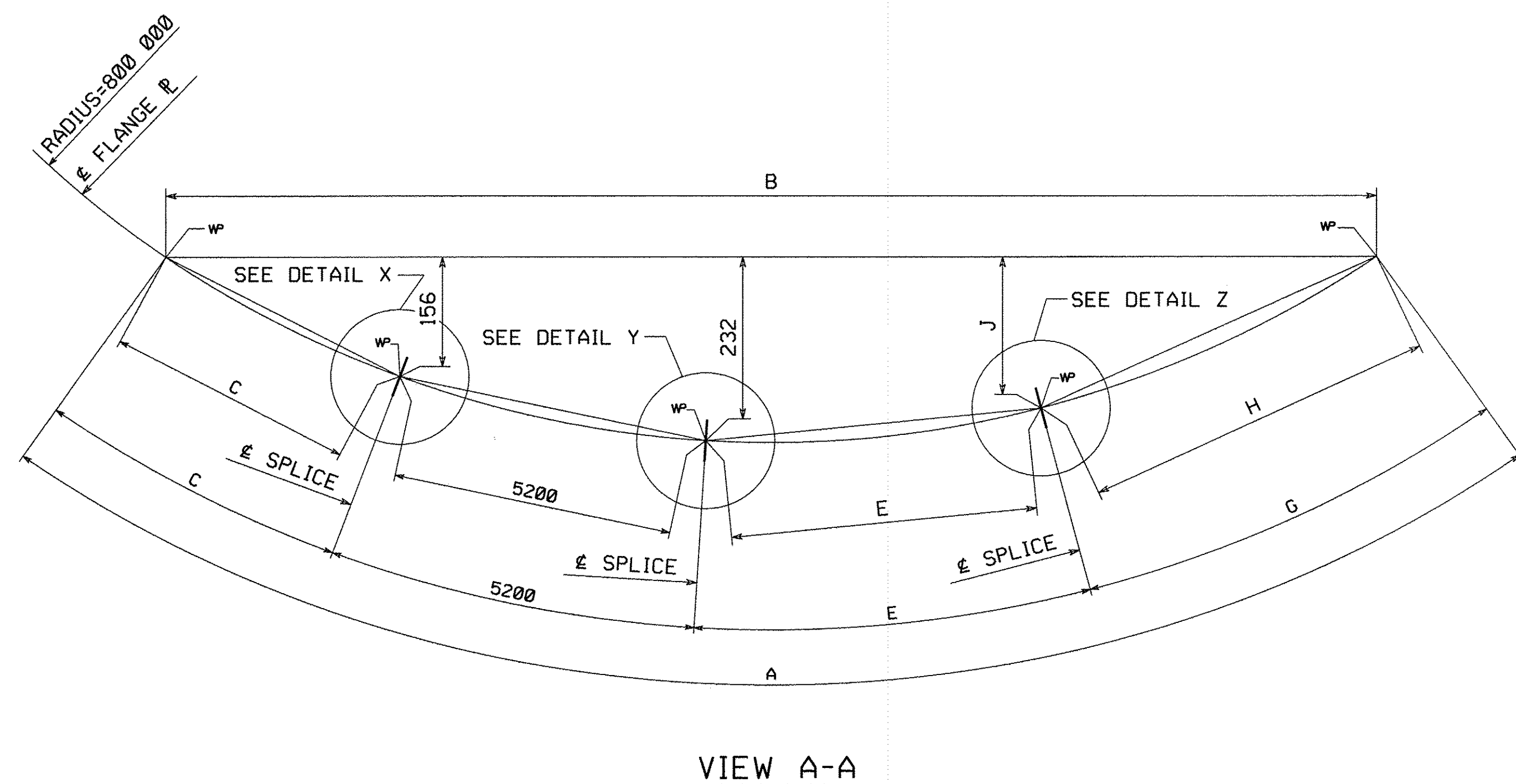


METRIC



ONE - FLG. PLATE ASSEMBLY EA. ~ MK. G1B, G2B, G3B, G4B



MARK	FLANGE	A	B	C	E	G	H	J	K	L	M	N
G1B	TOP	42 571	42 566	6996	15 000	15 375	15 374	261	2	2	2	203
G2B	TOP	42 574	42 569	6996	15 000	15 378	15 377	261	2	2	2	203
G3B	TOP	42 577	42 572	6996	15 000	15 381	15 380	261	2	2	2	203
G4B	TOP	42 581	42 576	6997	15 000	15 384	15 383	261	2	2	2	203
G1B	BOTTOM	42 571	42 566	7000	8800	21 571	21 570	283	1	1	3	228.5
G2B	BOTTOM	42 574	42 569	7000	8800	21 574	21 573	283	1	1	3	228.5
G3B	BOTTOM	42 577	42 572	7000	8800	21 577	21 576	283	1	1	3	228.5
G4B	BOTTOM	42 580	42 575	7000	8800	21 580	21 579	283	1	1	3	228.5

NOTES:
 FOR WELDING DETAILS, SEE DWG. FS1.
 FOR OTHER NOTES, SEE DWG. FS1.

NO.	REVISION	BY	CHK'D	DATE
FLANGE SPLICE DETAILS EAST ROAD OVER VT ROUTE 279 EAST ROAD STA. 1+148.400 TO STA. 1+220.200 TOWN OF BENNINGTON VERMONT, BRIDGE B11 STATE OF VERMONT AGENCY OF TRANSPORTATION				
SCALE	AC NH 019-1(53)		FED. AID PROJ. NO.	
N.T.S.	GENERAL CONTRACTOR	J.A. McDONALD, INC.	HSSI PROJ. MGR	DEB KUPRES
SHPMT	DRAWING MANAGER	BRITIGAN (IH)	MADE BY	MAF
STATE	VT	HSSI PROJECT NUMBER	S-1070147	HSSI STRUCT. ID
		DRAWING NUMBER	FS2	OF FS2

SHIPMENT 01
 PMAENG: 50022811 PRD: 50022812 SHIP&RECT: 50022813

BY: Mkr/ende1

PLOTTED: 10/1/2007 9:24:23 AM