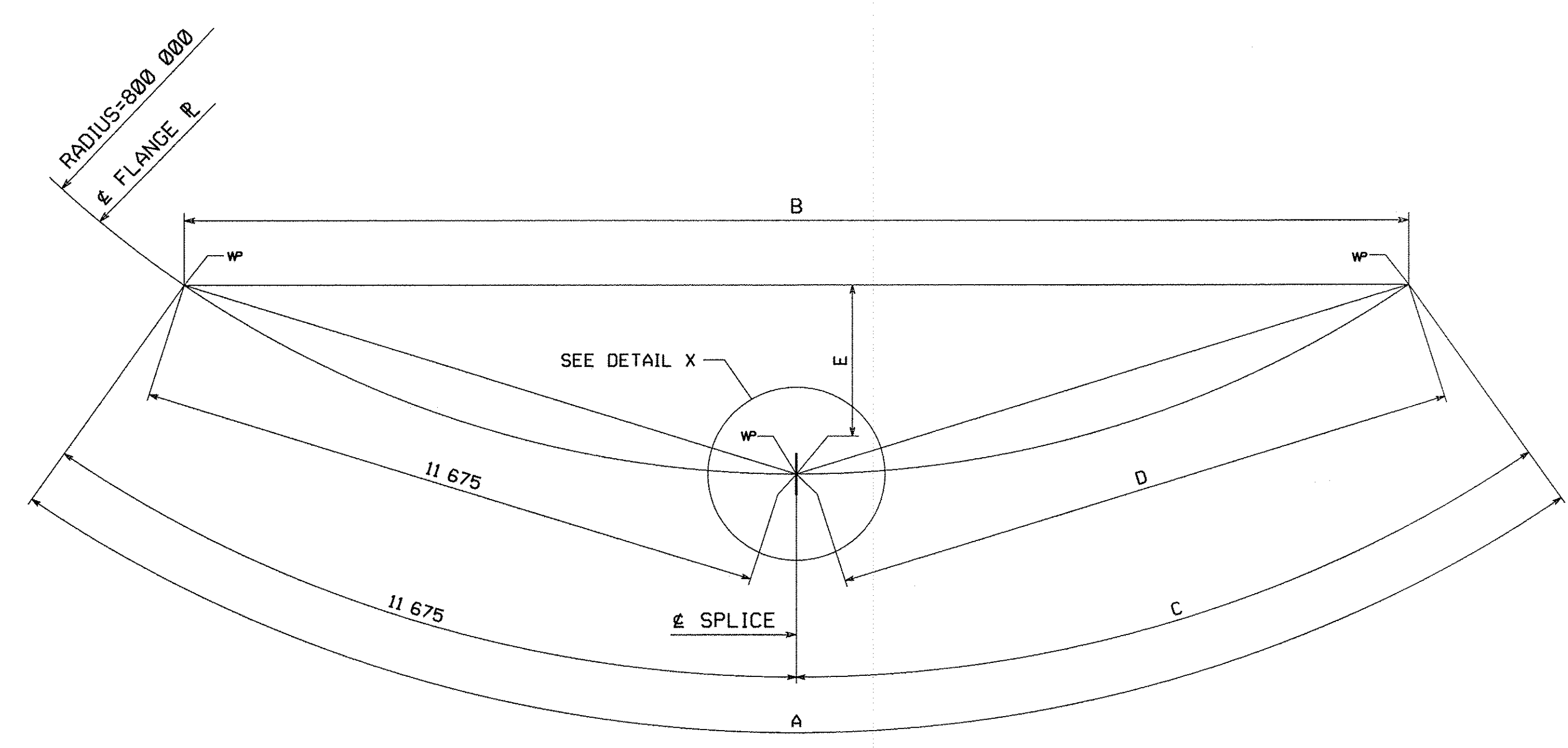
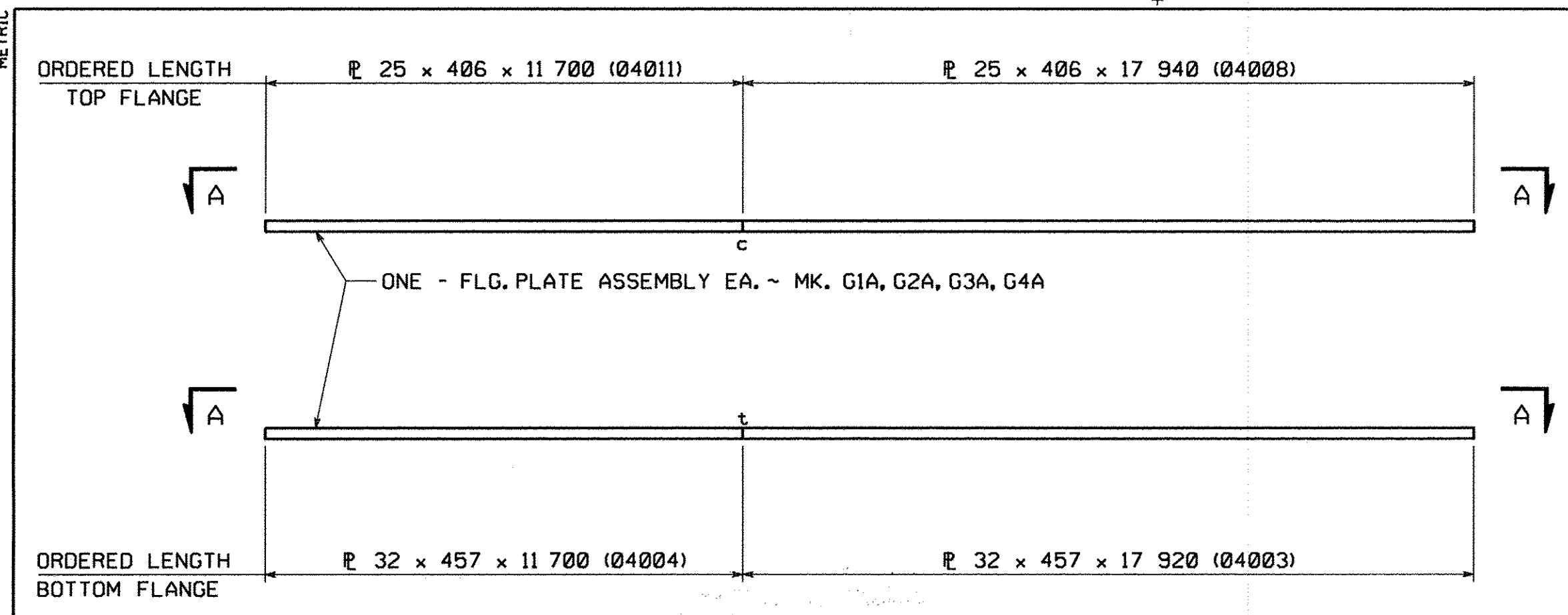
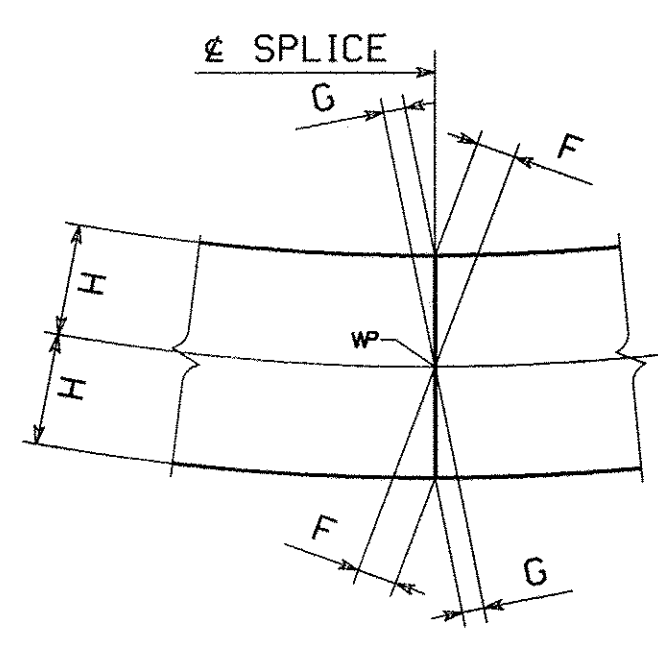


METRIC  
 SHIPMENT 01  
 PMSKING: 50022811 PRG: 50022812 SHIPPERECT: 50022813  
 BY: MCR:mdal  
 PLOTTED: 10/1/2007 9:24:21 AM  
 68

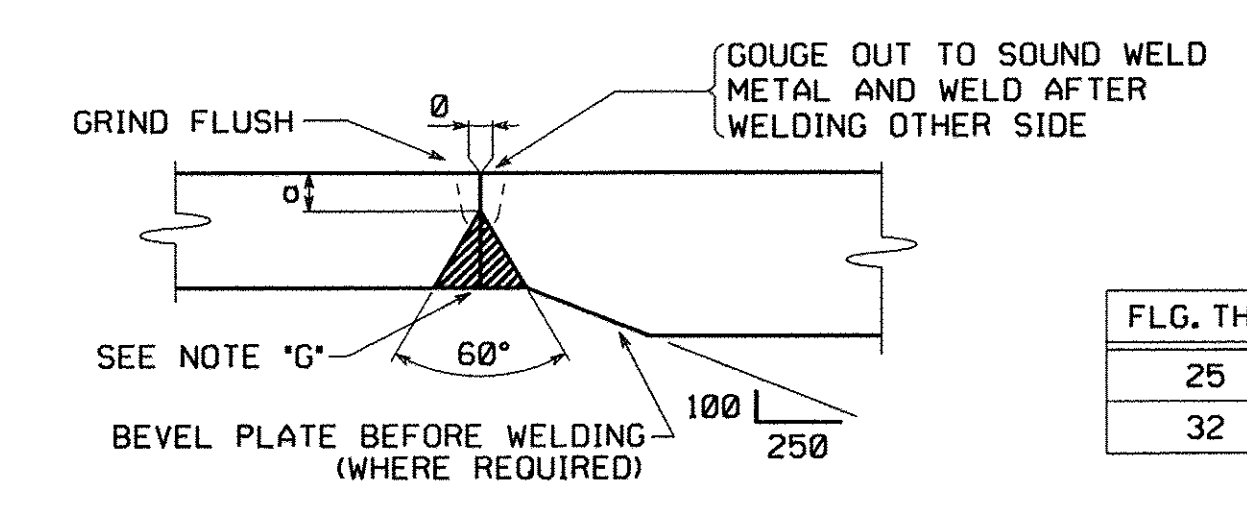


VIEW A-A

MARK	FLANGE	A	B	C	D	E	F	G	H
G1A	TOP	29 573	29 571	17 898	17 897	131	1	2	203
G2A	TOP	29 578	29 576	17 903	17 902	131	1	2	203
G3A	TOP	29 584	29 582	17 909	17 908	131	1	2	203
G4A	TOP	29 590	29 588	17 915	17 914	131	1	2	203
G1A	BOTTOM	29 553	29 551	17 878	17 877	130	2	3	228.5
G2A	BOTTOM	29 558	29 556	17 883	17 882	130	2	3	228.5
G3A	BOTTOM	29 564	29 562	17 889	17 888	131	2	3	228.5
G4A	BOTTOM	29 570	29 568	17 895	17 894	131	2	3	228.5



DETAIL X



FLG. THK.	a
25	7
32	10

TYPICAL FLANGE PLATE SPLICE  
FOR FLANGE PLATES 50 mm THICK AND UNDER (B-L2c-S)

**NOTE "G"**  
ALL SPLICES MAY HAVE A MAXIMUM REINFORCEMENT OF 3 mm. GRIND SMOOTH AT SPLICES THAT ARE TO BE TESTED AND ALL BOTTOM FLANGE SPLICES.

**NOTES:**  
FOR GENERAL SHOP NOTES, SEE DRAWING GNI.  
ALL FLANGE PLATES REQUIRE CHARPY V-NOTCH TEST. DIMENSIONS SHOWN THUS: [5200] ARE THE ACTUAL DIMENSIONS THAT WILL APPEAR ON THE GIRDER DETAIL DRAWINGS. THE LETTERS 't' & 'c' AT FLANGE SPLICES INDICATE TENSION AND COMPRESSION SPLICES RESPECTIVELY. ALL SPLICES MARKED 't' TO BE RADIOGRAPHICALLY TESTED 100%. ALL SPLICES MARKED 'c' TO BE RADIOGRAPHICALLY TESTED 25%.

NO.	REVISION	BY	CHK'D	DATE															
<table border="0"> <tr> <td>HOLES</td> <td colspan="2"> </td> <td colspan="2">           Lancaster Facility            195 Old Philadelphia Pike            Lancaster, PA 17605-0008            Phone (717) 299-5211         </td> </tr> <tr> <td>BOLTS</td> <td colspan="2"> </td> <td colspan="2">           Williamsport Facility            350 W. 4th Street            Williamsport, PA 17701            Phone (570) 338-9001         </td> </tr> <tr> <td colspan="5">           An ISO 9001:2000 Certified Company An Affiliate of High Industries Inc. www.HighSteel.com         </td> </tr> </table>					HOLES			Lancaster Facility 195 Old Philadelphia Pike Lancaster, PA 17605-0008 Phone (717) 299-5211		BOLTS			Williamsport Facility 350 W. 4th Street Williamsport, PA 17701 Phone (570) 338-9001		An ISO 9001:2000 Certified Company An Affiliate of High Industries Inc. www.HighSteel.com				
HOLES			Lancaster Facility 195 Old Philadelphia Pike Lancaster, PA 17605-0008 Phone (717) 299-5211																
BOLTS			Williamsport Facility 350 W. 4th Street Williamsport, PA 17701 Phone (570) 338-9001																
An ISO 9001:2000 Certified Company An Affiliate of High Industries Inc. www.HighSteel.com																			
FLANGE SPLICE DETAILS																			
EAST ROAD OVER VT ROUTE 279																			
EAST ROAD STA. 1+148.400 TO STA. 1+220.200																			
TOWN OF BENNINGTON VERMONT, BRIDGE B11																			
STATE OF VERMONT																			
AGENCY OF TRANSPORTATION																			
CODE(S) 30																			
SCALE N.T.S.																			
GENERAL CONTRACTOR		J.A. McDONALD, INC.		FED. AID PROJ. NO. AC NH 019-1(53)															
DRAWING MANAGER		BRITIGAN (IH)		HSSI PROJ. MGR DEB KUPRES															
SHPMT	1	MADE BY	MAF	CHK'D BY CS															
STATE	VT	HSSI PROJECT NUMBER	S-1070147	HSSI STRUCT. ID B															
				DATE 9-13-07															
				DRAWING NUMBER FS1 OF FS2															