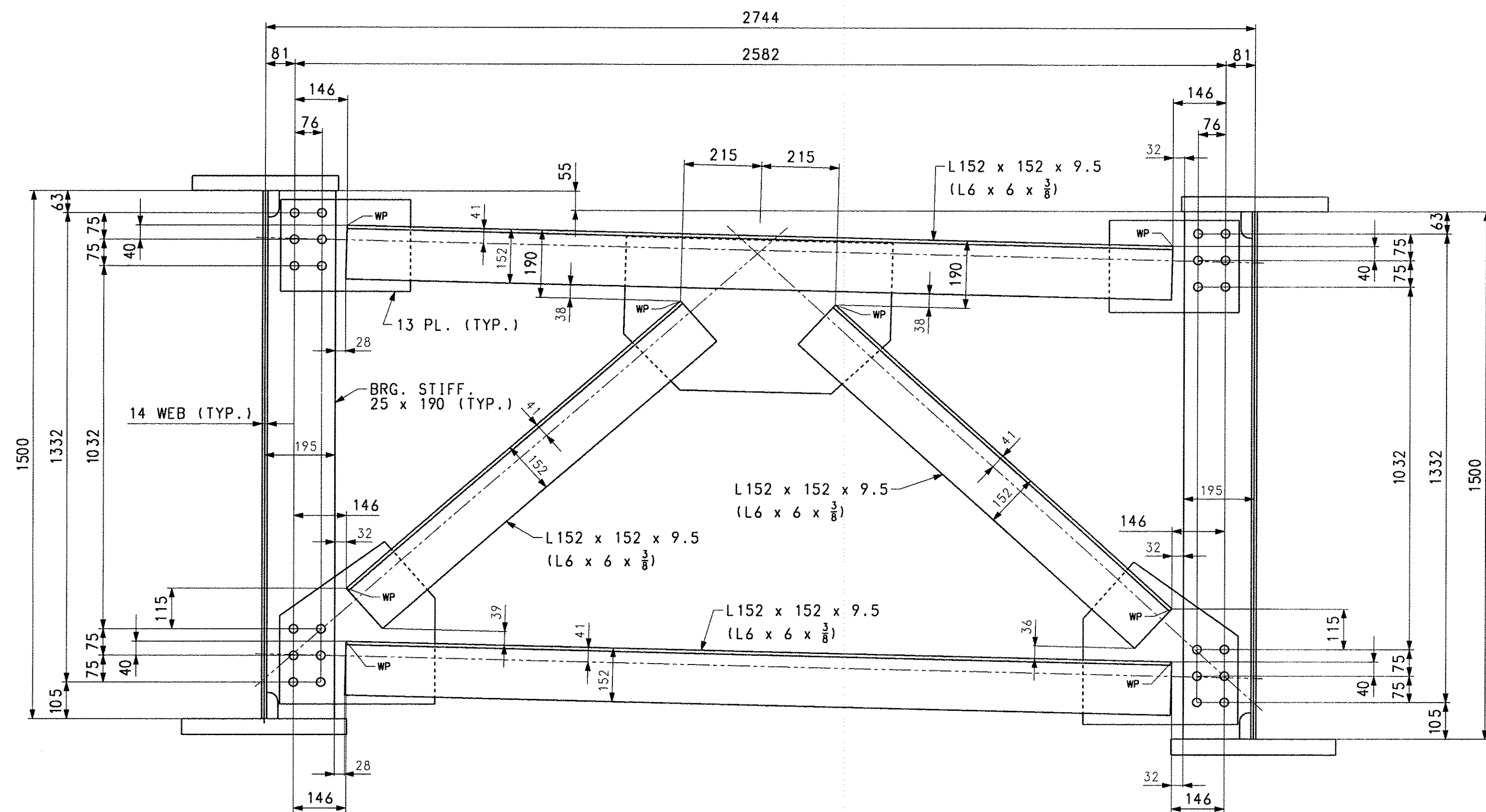


INTERMEDIATE CROSSFRAME LAYOUT
(LOOKING BACKSTATIONS)



PIER CROSSFRAME LAYOUT
(LOOKING BACKSTATIONS)

NOTES:

FOR NOTES, SEE DRAWING WS1.
WORK THIS DRAWING WITH DRAWING WS1.

***NOTE**
THE PURPOSE OF THIS DRAWING IS TO COORDINATE GEOMETRIC CONTROL INFORMATION. THIS DRAWING IS SUBMITTED FOR INFORMATION ONLY AND IS NOT INTENDED FOR SHOP FABRICATION. THIS DRAWING IS FOR REFERENCE ONLY. APPROVAL IS NOT REQUIRED.

NO.	REVISION	BY	CHK'D	DATE
TYPICAL DETAILS - CROSSFRAME LAYOUTS EAST ROAD OVER VT ROUTE 279 EAST ROAD STA. 1+148.400 TO STA. 1+220.200 TOWN OF BENNINGTON VERMONT, BRIDGE B11 STATE OF VERMONT AGENCY OF TRANSPORTATION				
SCALE	STATE CONT. OR REF. NO.	AC NH 019-1153	FED. AID PROJ. NO.	
N.T.S.	GENERAL CONTRACTOR	J.A. McDONALD, INC.	HSSI PROJ. MGR	DEB KUPRES
SHIPMT	DRAWING MANAGER	BRITIGAN (IH)	MADE BY	WBW
STATE	HSSI PROJECT NUMBER	VT	HSSI STRUCT. ID	B
			CHK'D BY	CS
			DATE	9-17-07
			DRAWING NUMBER	TD2 OF TD3