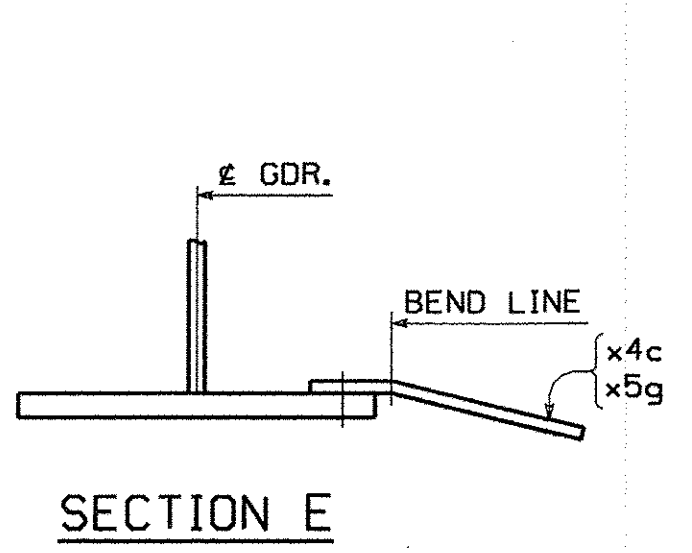
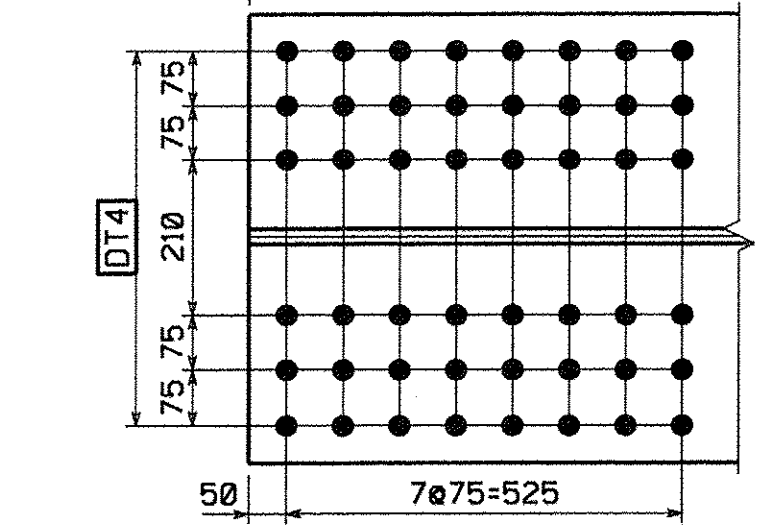
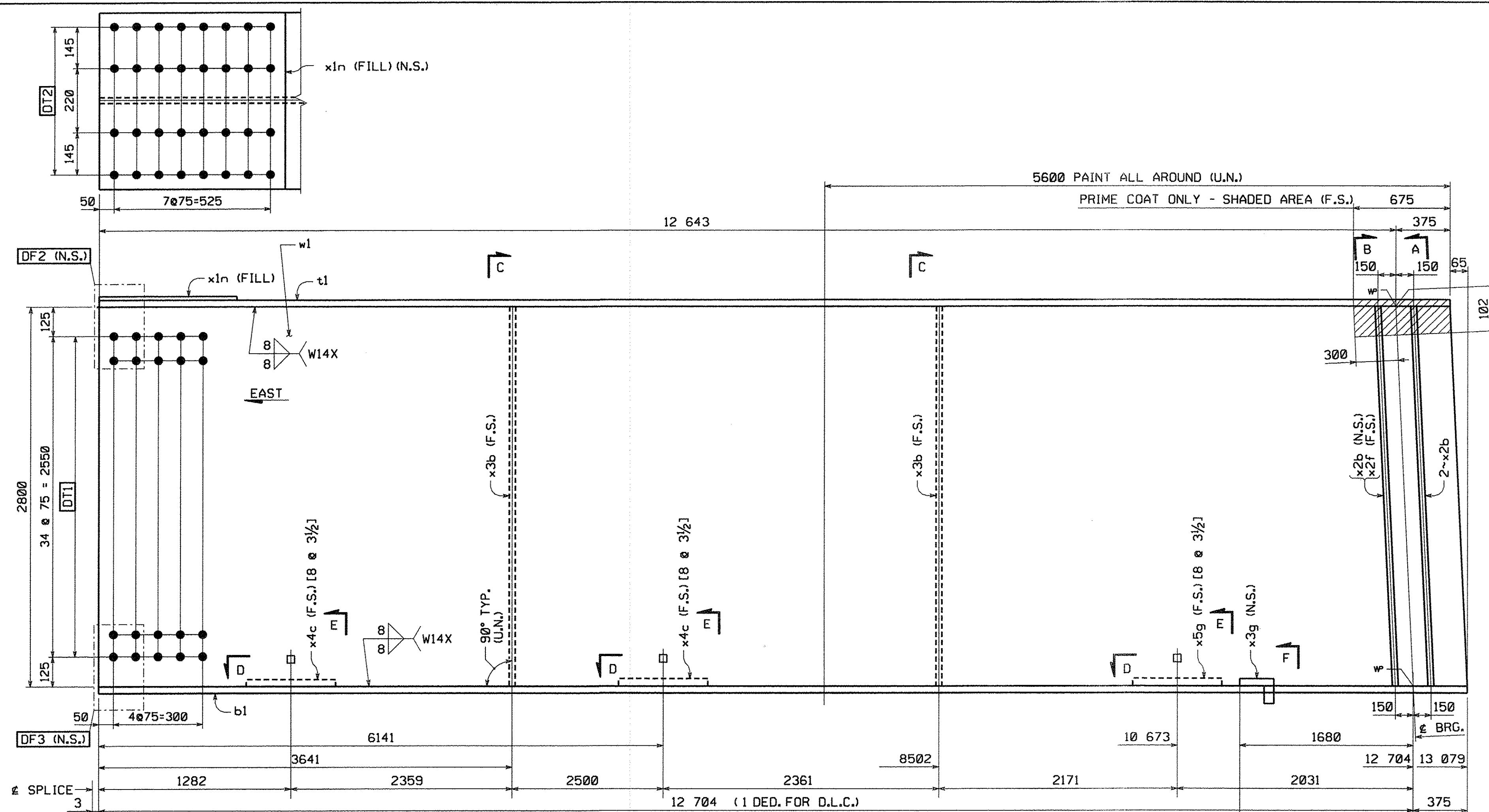
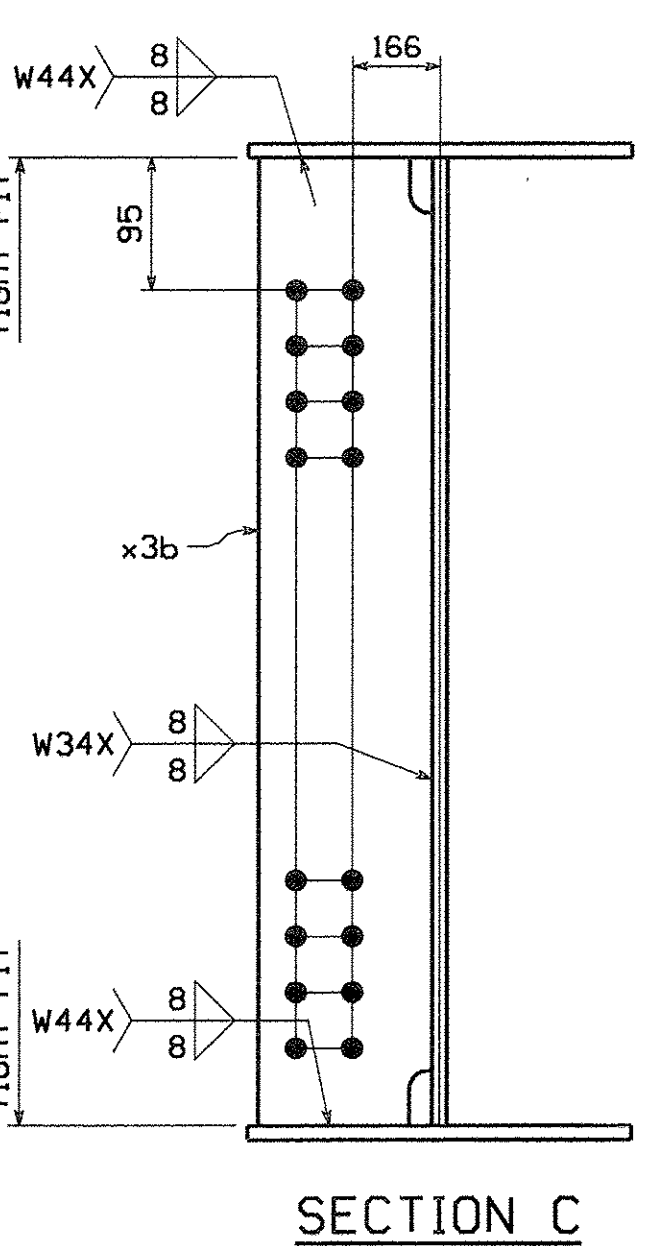
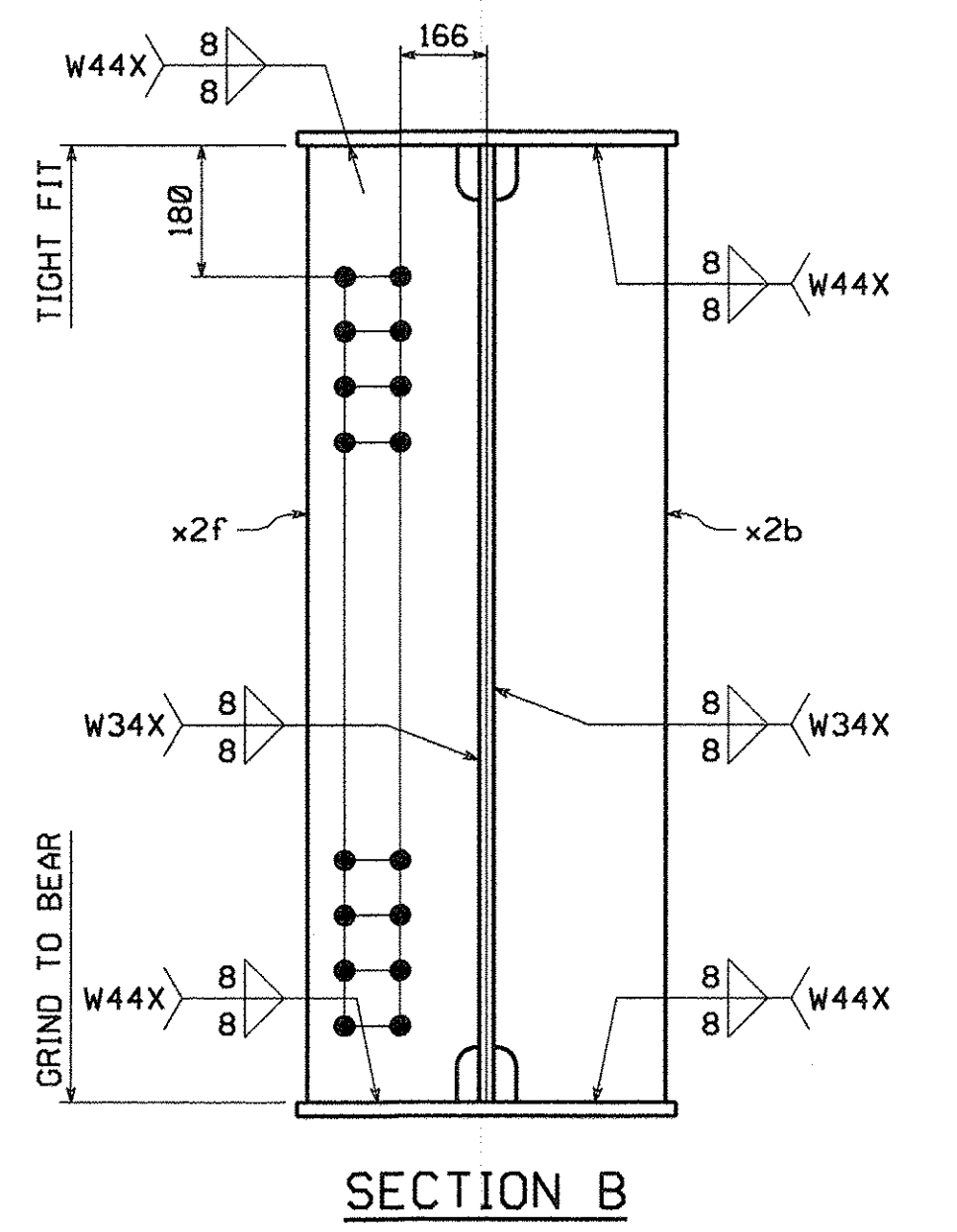
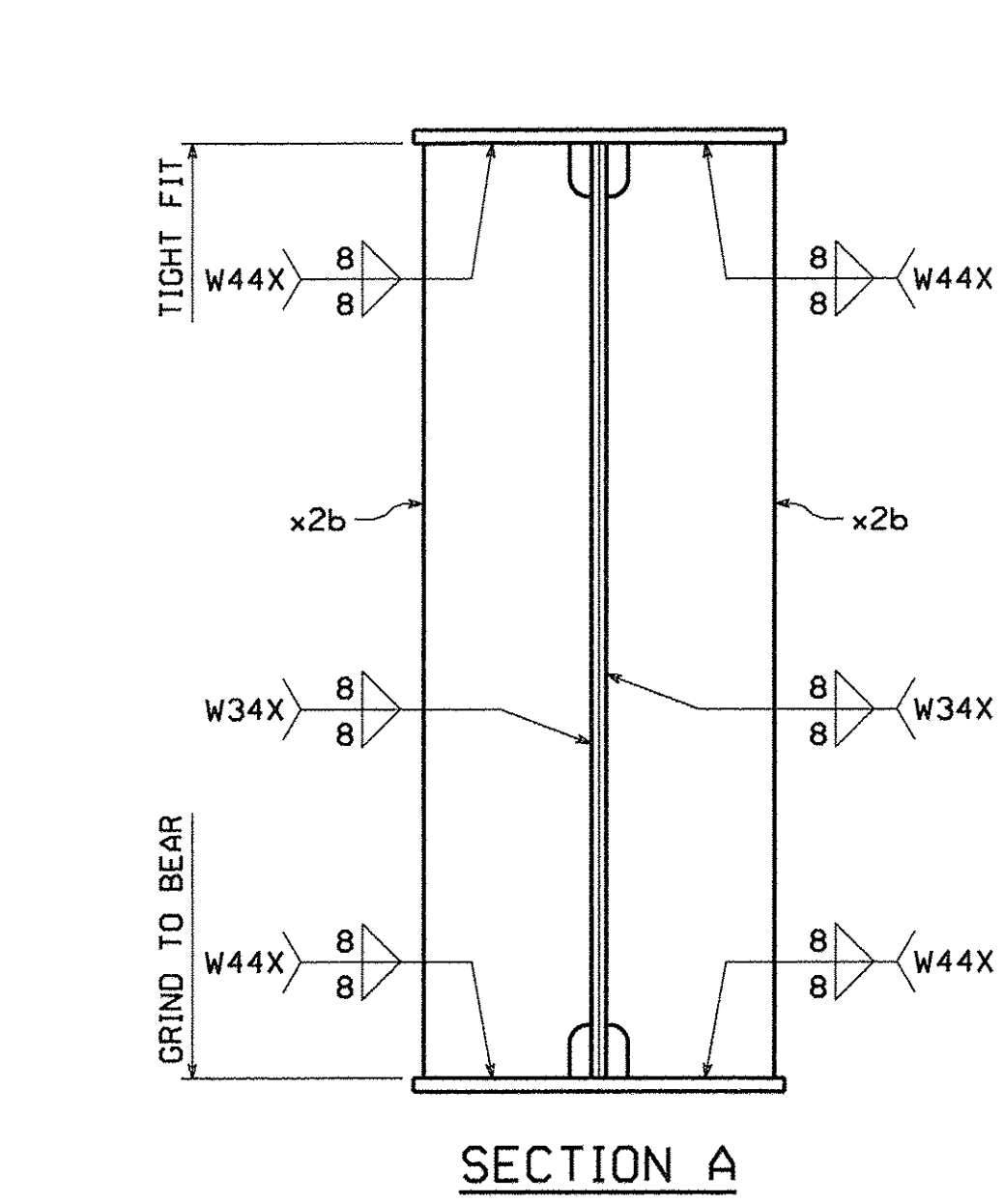
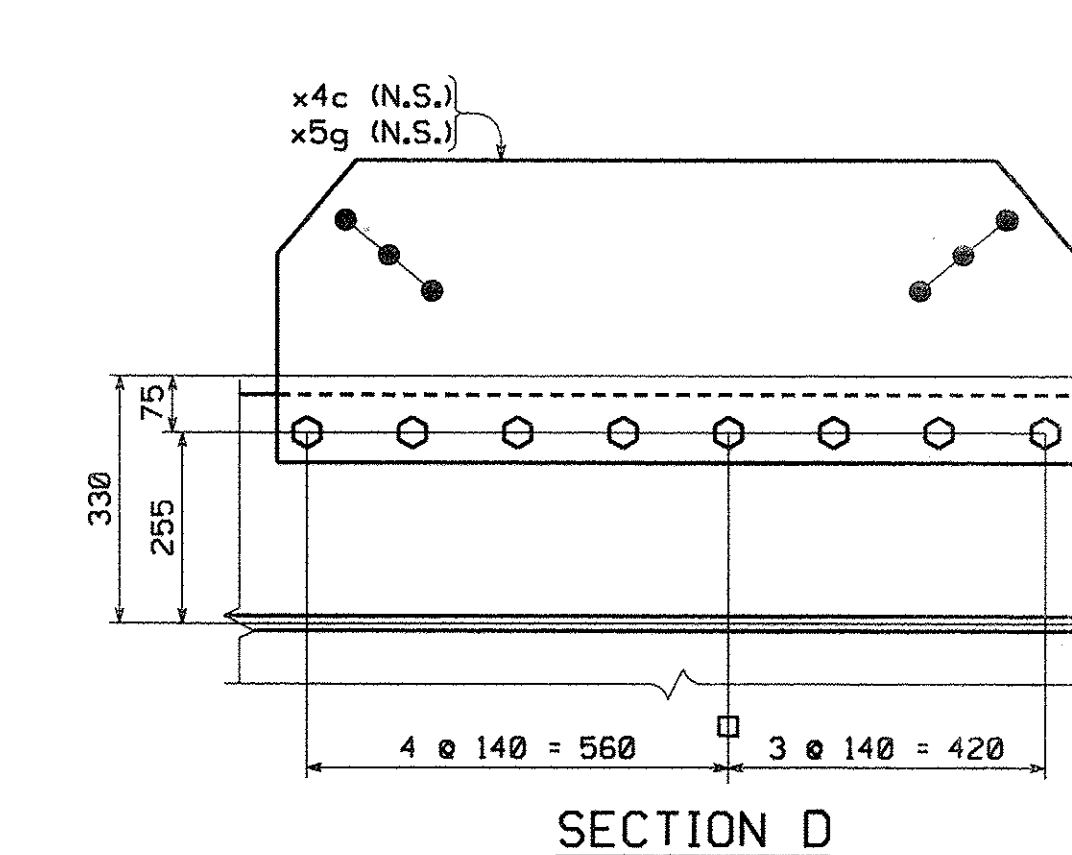
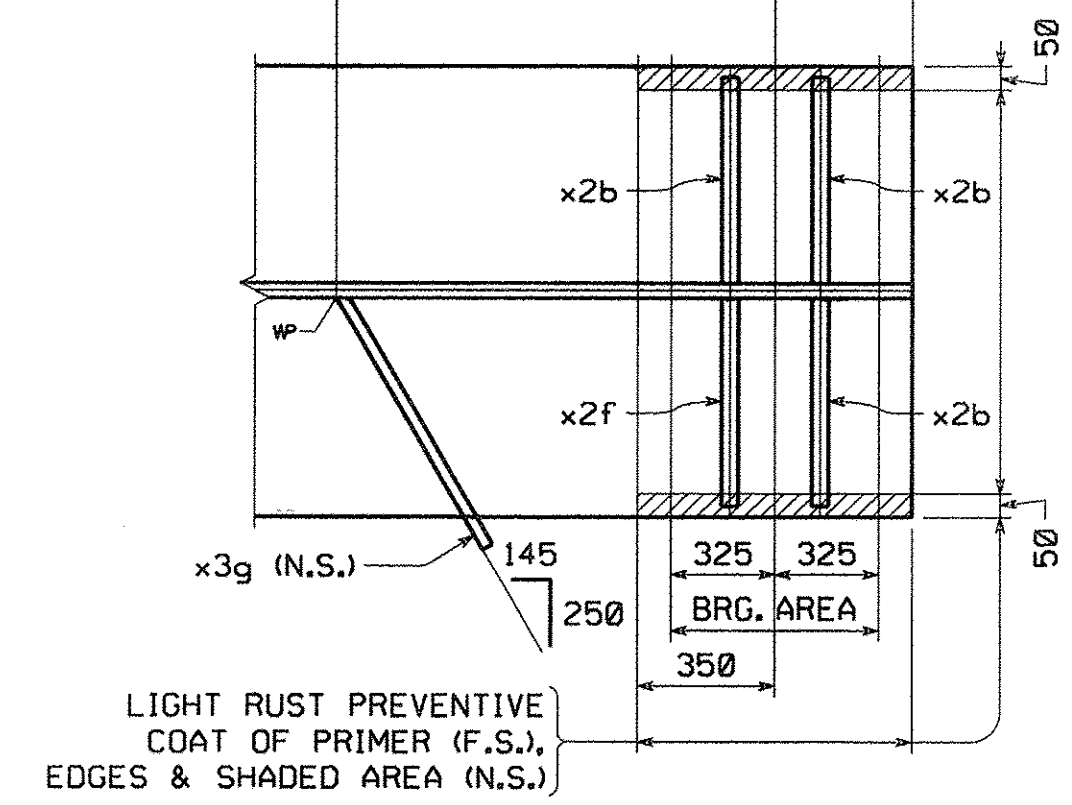


METRIC



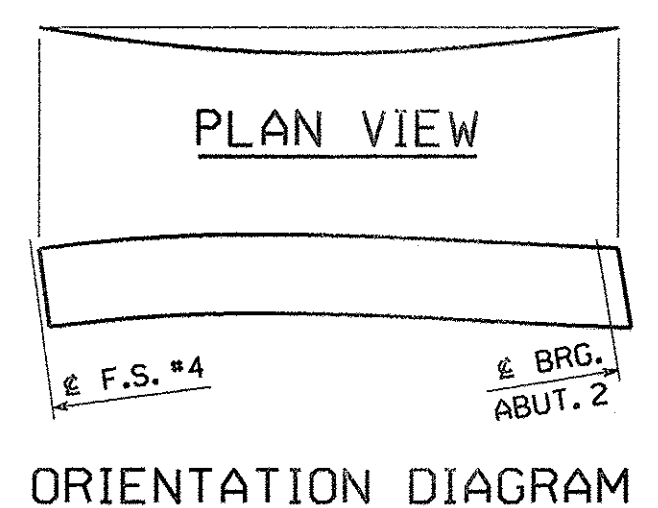
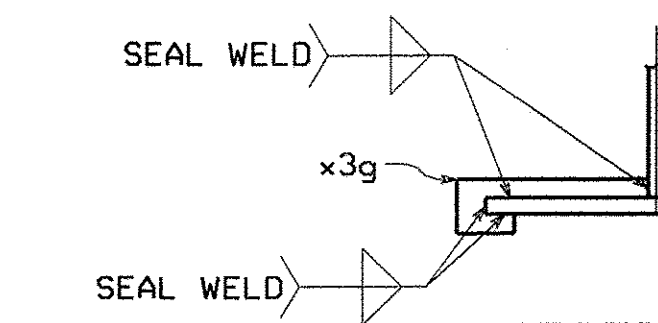
GIRDER MK. G6E
 FOR GENERAL SHOP NOTES, SEE DWG. GN1 & GN2
 FOR WEB CAMBER DIAGRAM, SEE DWG. WC3.
 FOR HORIZ. CURVE DIAGRAM, SEE DWG. HC1.



BILL OF MATERIAL												
QTY EA	MARK	COM	DESCRIPTION	LENGTH	SPEC	GRADE	TEST	REMARKS	ITEM	GROSS WT. EA	DED. WEIGHT	NET WT. EA
1	G6E		GIRDER							11582.13	16.68	11565.45
1	w1	PL	22 x 2800	13 083	M270M	345W	T		03005	6325.65	16.68	6308.97
1	t1	PL	28 x 610	13 018	M270M	345W	T		04007	1745.22	0.00	1745.22
1	b1	PL	40 x 610	13 079	M270M	345W	T		04005	2504.85	0.00	2504.85
1	x1n	PL	12.7 x 610	615	M270M	345W	FILL		06006	37.40	0.00	37.40
3	x2b	PL	25.4 x 280	2 801	M270M	345W			07001	156.36	0.00	156.36
1	x2f	PL	25.4 x 280	2 801	M270M	345W	T		07001	156.36	0.00	156.36
2	x3b	PL	14.3 x 280	2 800	M270M	345W	T		07002	88.00	0.00	88.00
1	x3g	PL	6.4 x 90	389	M270M	345W			07005	1.76	0.00	1.76
2	x4c	PL	14.3 x 1140	425	M270M	345W	BENT		07003	54.38	0.00	54.38
1	x5g	PL	14.3 x 1140	446	M270M	345W	BENT		07003	57.07	0.00	57.07
8	140308-G	HS Bolt	7/8		0'-3 1/2	M164 Type 1		GALV.	17003	0.00	0.00	0.00
16	140308	HS Bolt	7/8		0'-3 1/2	M164 Type 3			17002	0.00	0.00	0.00
8	N14-G	Nut	7/8			M291	DH	GALV.	17005	0.00	0.00	0.00
16	N14	Nut	7/8			M291	DH3		17004	0.00	0.00	0.00
8	W14-G	Std Wash	7/8			M293		GALV.	17007	0.00	0.00	0.00
16	W14	Std Wash	7/8			M293 Weathering			17006	0.00	0.00	0.00
TOTAL WEIGHT THIS SHEET:										11 565.45 kgs		

TVGA CONSULTANTS

NO EXCEPTIONS TAKEN
 FURNISH AS CORRECTED
 REVISE AND RESUBMIT
 ENGINEER has reviewed Shop Drawings and Samples and other data which Contractor is required to submit, only for conformance with the information given in the Contract Documents and compatibility with the design concept of the completed Project as a functioning whole as indicated in the Contract Documents. Such reviews do not extend to means, methods, techniques, sequences or procedures of construction or to safety precautions and programs incident thereto. Contractor is responsible for dimensions to be confirmed and correlated at the job site, for information that pertains solely to the fabrication processes or to techniques of construction, and for coordination of the work of all trades.



SECTION F (DEVELOPED)

NO.	REVISION	BY	CHK'D	DATE
1				
2				
3				

Holes	15/16"		
Bolts	AS NOTED		
COATING	VT ROUTE 279 OVER FURNACE BROOK		
SEE DWG. GN1	VT ROUTE 279 STA. 8+542.000 TO STA. 8+685.000		
CODE(S)	TOWN OF BENNINGTON VERMONT, BRIDGE B12		
30	STATE OF VERMONT		
	AGENCY OF TRANSPORTATION		
SCALE	AC NH F019-1(53)	FED. AID PROJ. NO.	
N.T.S.		GENERAL CONTRACTOR	J.A. McDONALD, INC.
		HSSI PROJ. MGR	DEB KUPRES
SHPMT	3	DRAWING MANAGER	BRITIGAN (IH)
STATE	VT	HSSI PROJECT NUMBER	S-1070147
		HSSI STRUCT. ID	A
		CHK'D BY	MKG
		DATE	11-26-07
		DRAWING NUMBER	30 OF 34

SHOP NOTE:
 [8 @ 3 1/2]
 INDICATES LENGTH OF 7/8" H.S. BOLTS
 INDICATES NUMBER OF 7/8" H.S. BOLTS

PK ENGR 50028017 PROJ. 50028018 SHIPARECT. 50028013
 SHIPMENT 01
 BY: MK:redal
 PLOTTED 11/30/2007 12:34:06 PM