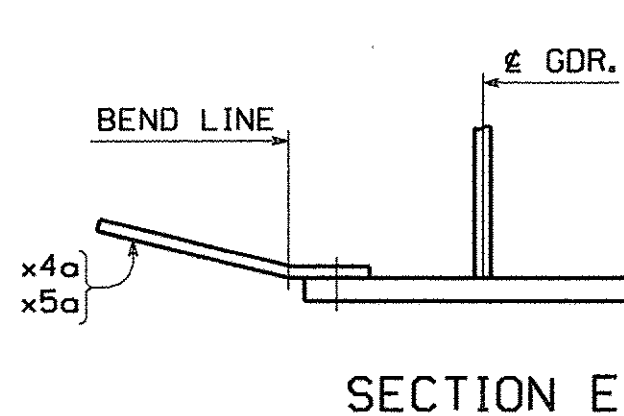
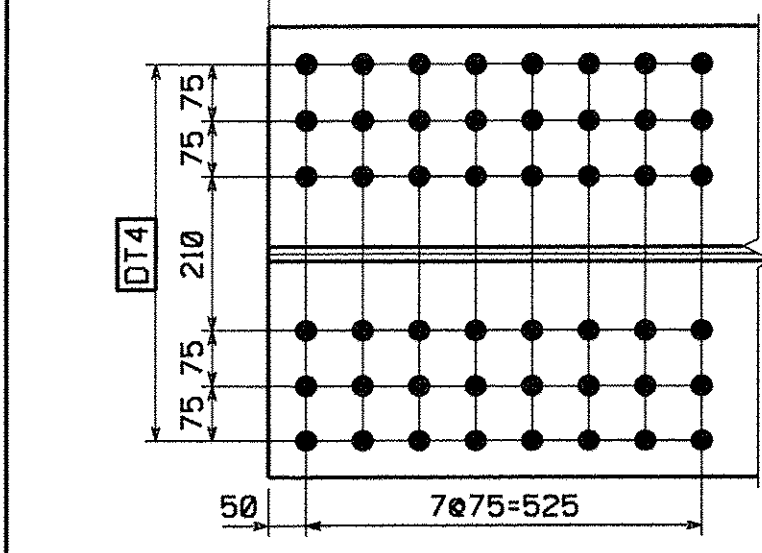
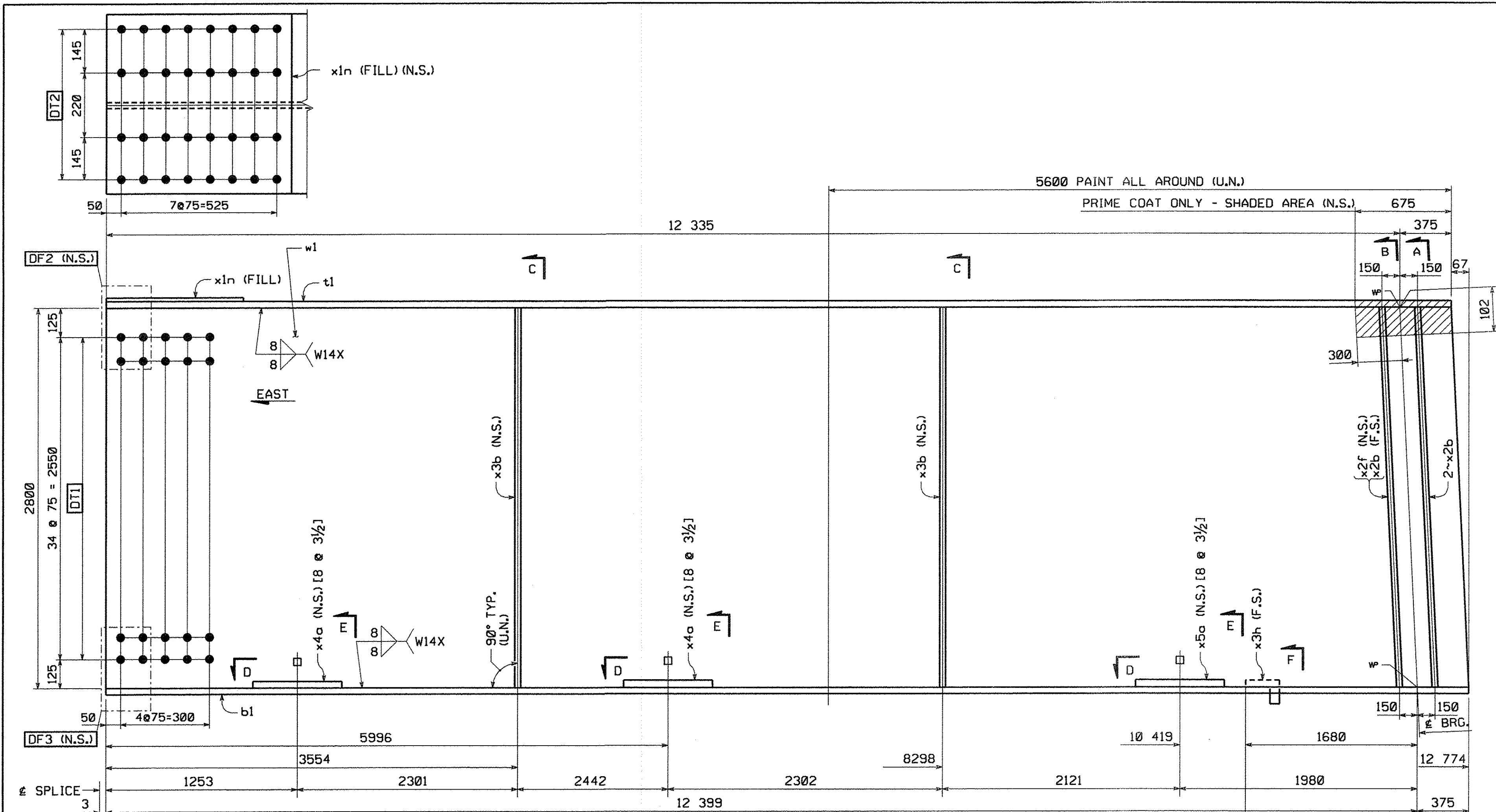
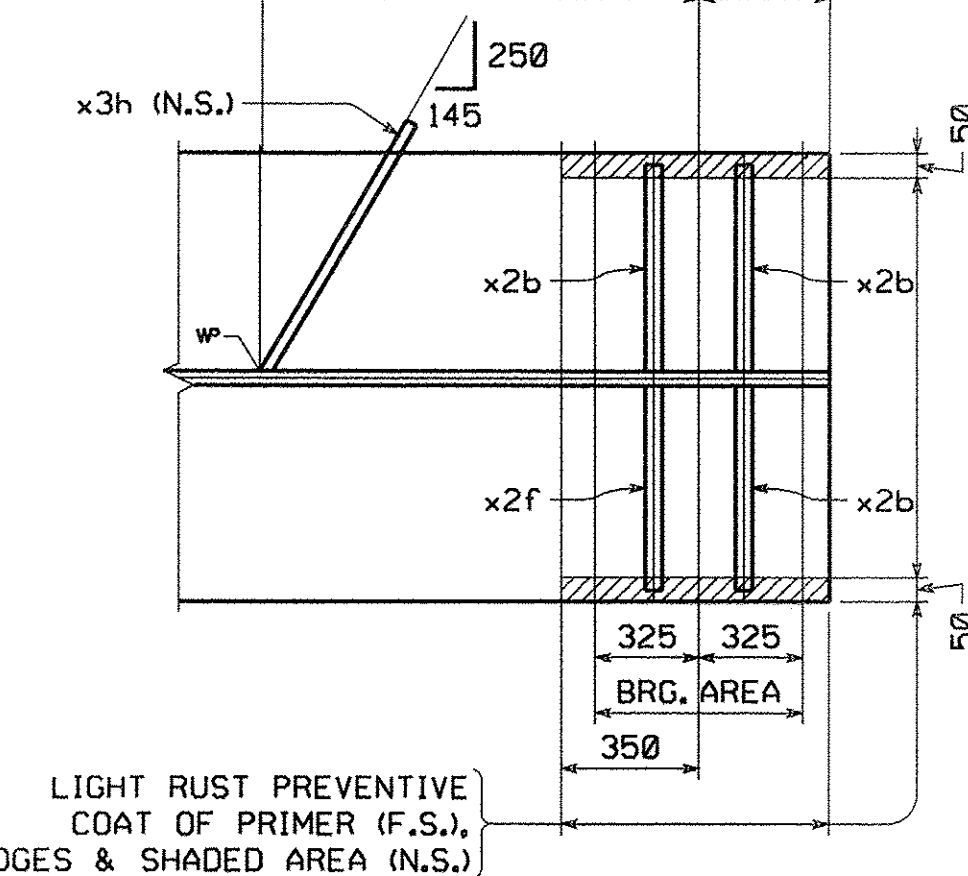


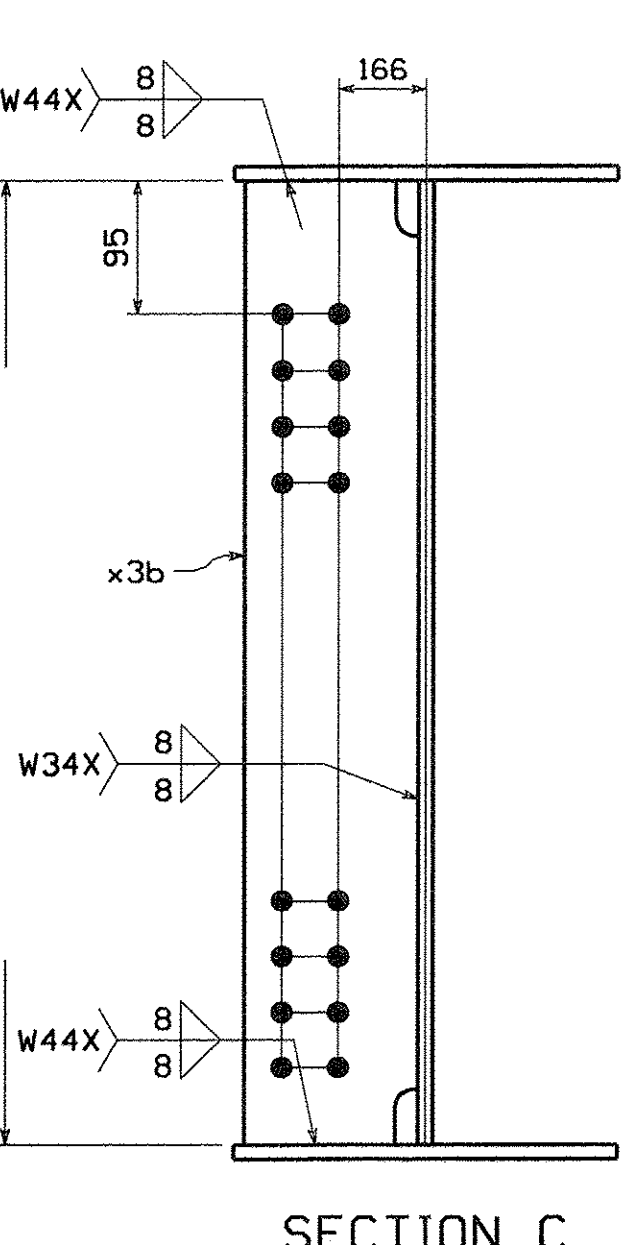
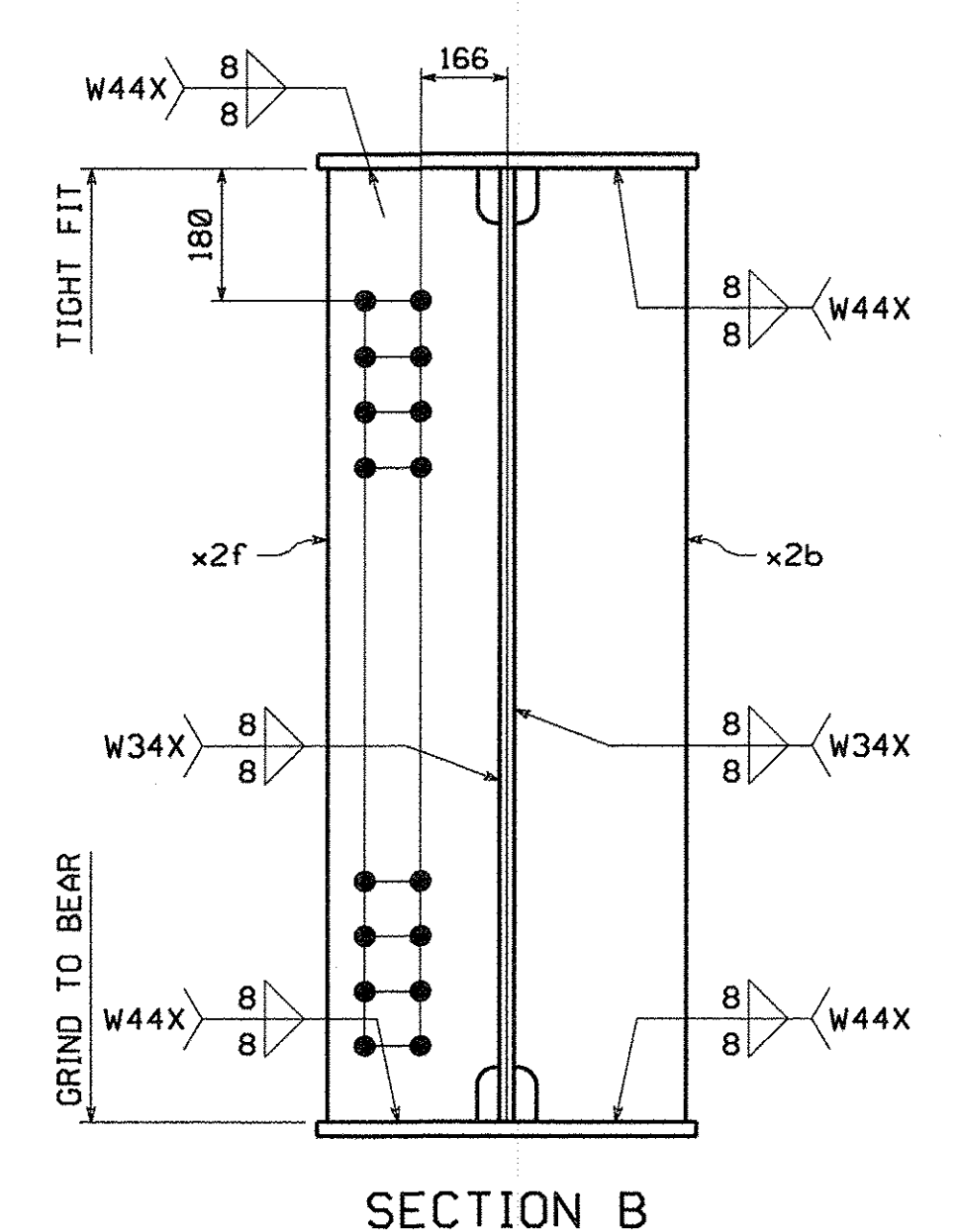
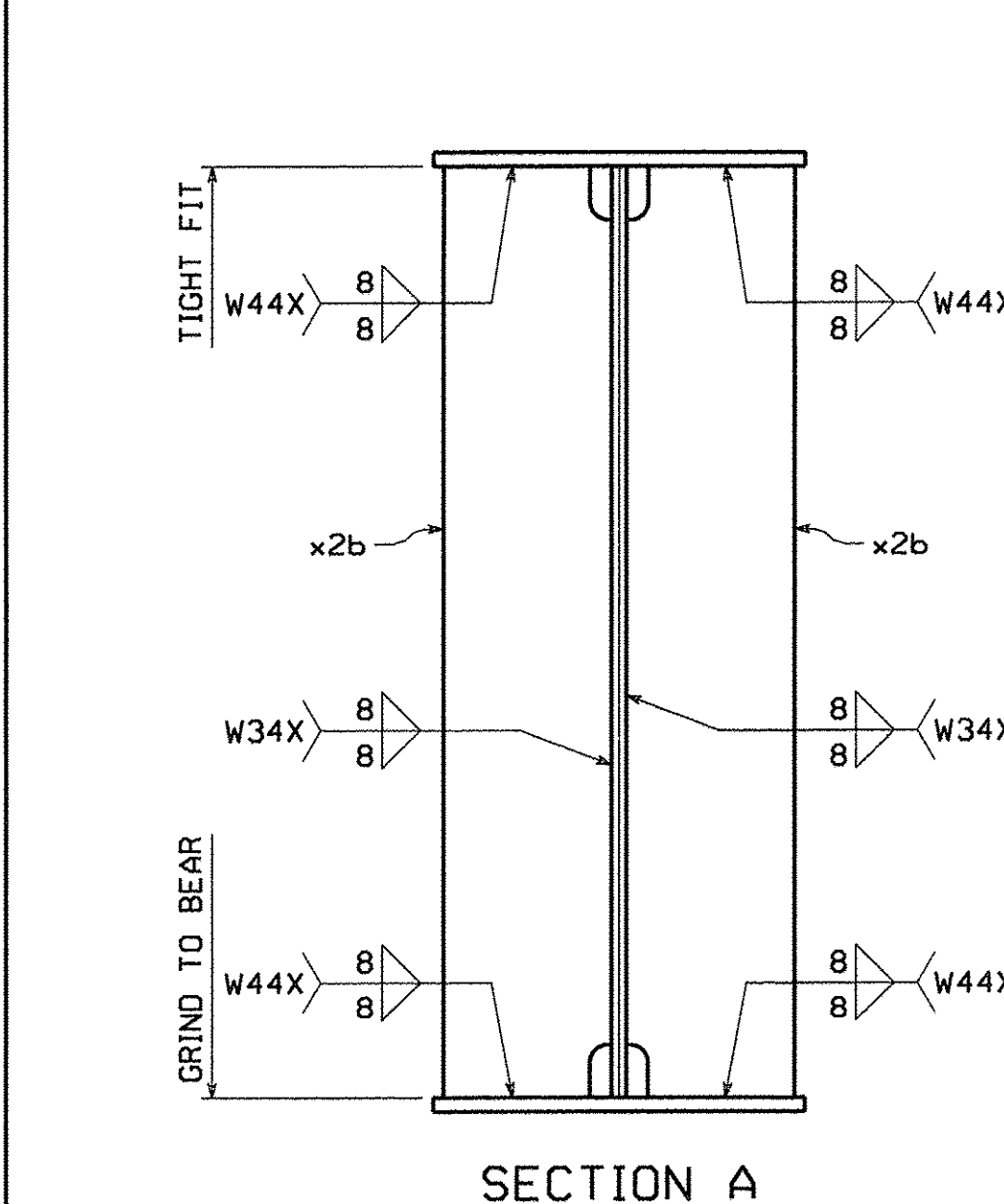
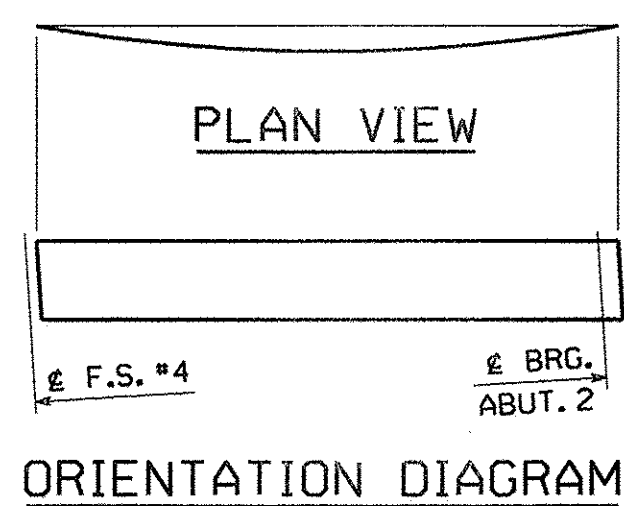
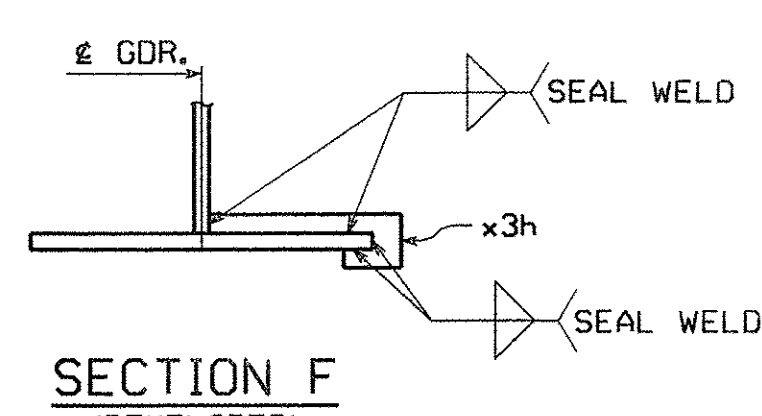
METRIC



GIRDER MK. G1E
 FOR GENERAL SHOP NOTES, SEE DWG. GN1 & GN2
 FOR WEB CAMBER DIAGRAM, SEE DWG. WC3.
 FOR HORIZ. CURVE DIAGRAM, SEE DWG. HC1.



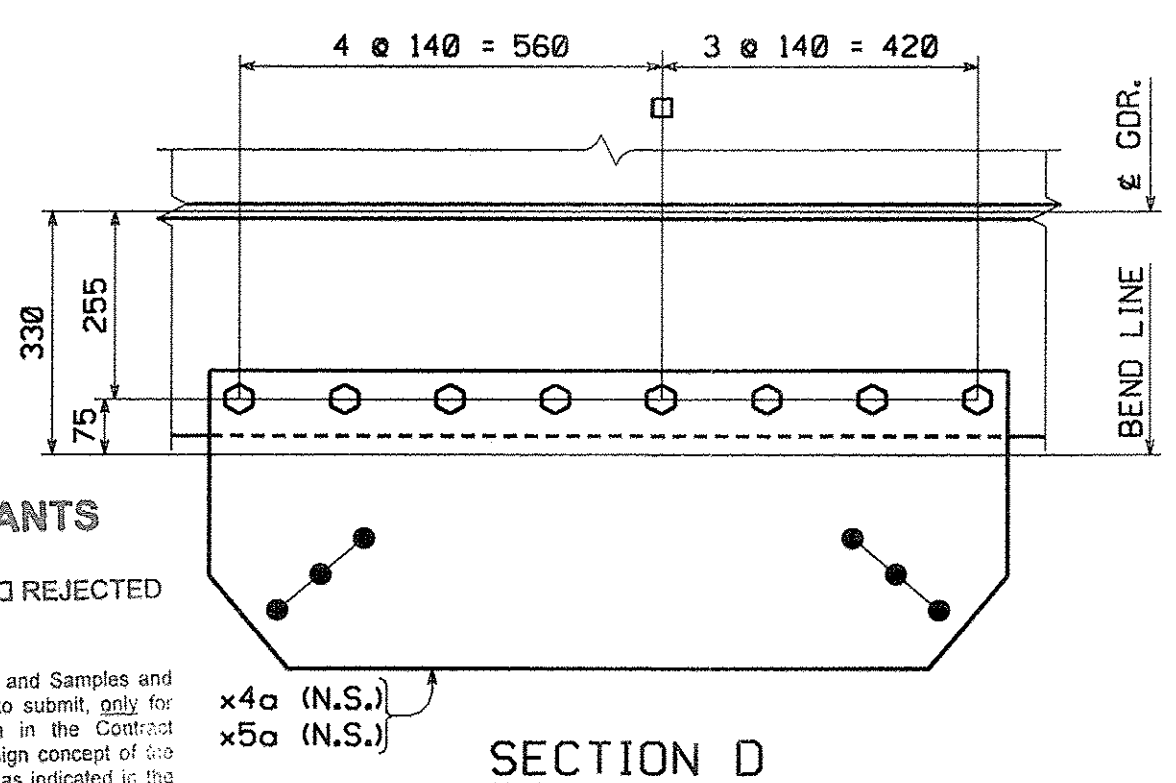
LIGHT RUST PREVENTIVE
 COAT OF PRIMER (F.S.),
 EDGES & SHADED AREA (N.S.)



TVGA CONSULTANTS

NO EXCEPTIONS TAKEN REJECTED
 FURNISH AS CORRECTED
 REVISE AND RESUBMIT
 ENGINEER has reviewed Shop Drawings and Samples and other data which Contractor is required to submit, only for conformance with the information given in the Contract Documents and compatibility with the design concept of the completed Project as a functioning whole as indicated in the Contract Documents. Such reviews do not extend to means, methods, technique, sequences or procedures of construction or to safety precautions and programs incident thereto. Contractor is responsible for information that pertains solely to the fabrication processes or to techniques of construction and for coordination of the work of all trades.

BY: *[Signature]*
 DATE: 1/17/08



SHOP NOTE:
 [8 @ 3/2]
 INDICATES LENGTH OF 7/8" H.S. BOLTS
 INDICATES NUMBER OF 7/8" H.S. BOLTS

BILL OF MATERIAL

QTY EA	MARK	COMM	DESCRIPTION	LENGTH	SPEC	GRADE	TEST	REMARKS	ITEM	GROSS WT. EA	NET WEIGHT	NET WT. EA
1	G1E		GIRDER							11334.99	16.93	11318.06
1	w1	PL	22 x 2800	12777	M270M	345W	T		03011	6177.70	16.93	6160.77
1	t1	PL	28 x 610	12710	M270M	345W	T		04007	1703.93	0.00	1703.93
1	b1	PL	40 x 610	12774	M270M	345W	T		04005	2446.44	0.00	2446.44
1	x1n	PL	12.7 x 610	615	M270M	345W	FILL		06006	37.40	0.00	37.40
3	x2b	PL	25.4 x 280	2801	M270M	345W			07001	156.36	0.00	156.36
1	x2f	PL	25.4 x 280	2801	M270M	345W	T		07001	156.36	0.00	156.36
2	x3b	PL	14.3 x 280	2800	M270M	345W	T		07002	88.00	0.00	88.00
1	x3h	PL	6.4 x 90	389	M270M	345W			07005	1.76	0.00	1.76
2	x4a	PL	14.3 x 1140	426	M270M	345W	BENT		07003	54.51	0.00	54.51
1	x5a	PL	14.3 x 1140	448	M270M	345W	BENT		07003	57.32	0.00	57.32
8	140308-G	HS Bolt	7/8	0'-3 1/2	M164 Type 1			GALV.	17003	0.00	0.00	0.00
16	140308	HS Bolt	7/8	0'-3 1/2	M164 Type 3				17002	0.00	0.00	0.00
8	N14-G	Nut	7/8		M291		DH	GALV.	17005	0.00	0.00	0.00
16	N14	Nut	7/8		M291		DH3		17004	0.00	0.00	0.00
8	W14-G	Std Wash	7/8		M293			GALV.	17007	0.00	0.00	0.00
16	W14	Std Wash	7/8		M293 Weathering				17006	0.00	0.00	0.00
TOTAL WEIGHT THIS SHEET:										11 318.06 kgs		
BID ITEM 0160 506.56												

SHIPMENT 01
 PACKING: 506281Z PRD: 506281B SHIPPERECT: 506281G
 BY: Mkrindel
 PLOTTED: 11/29/07 12:28:38 PM