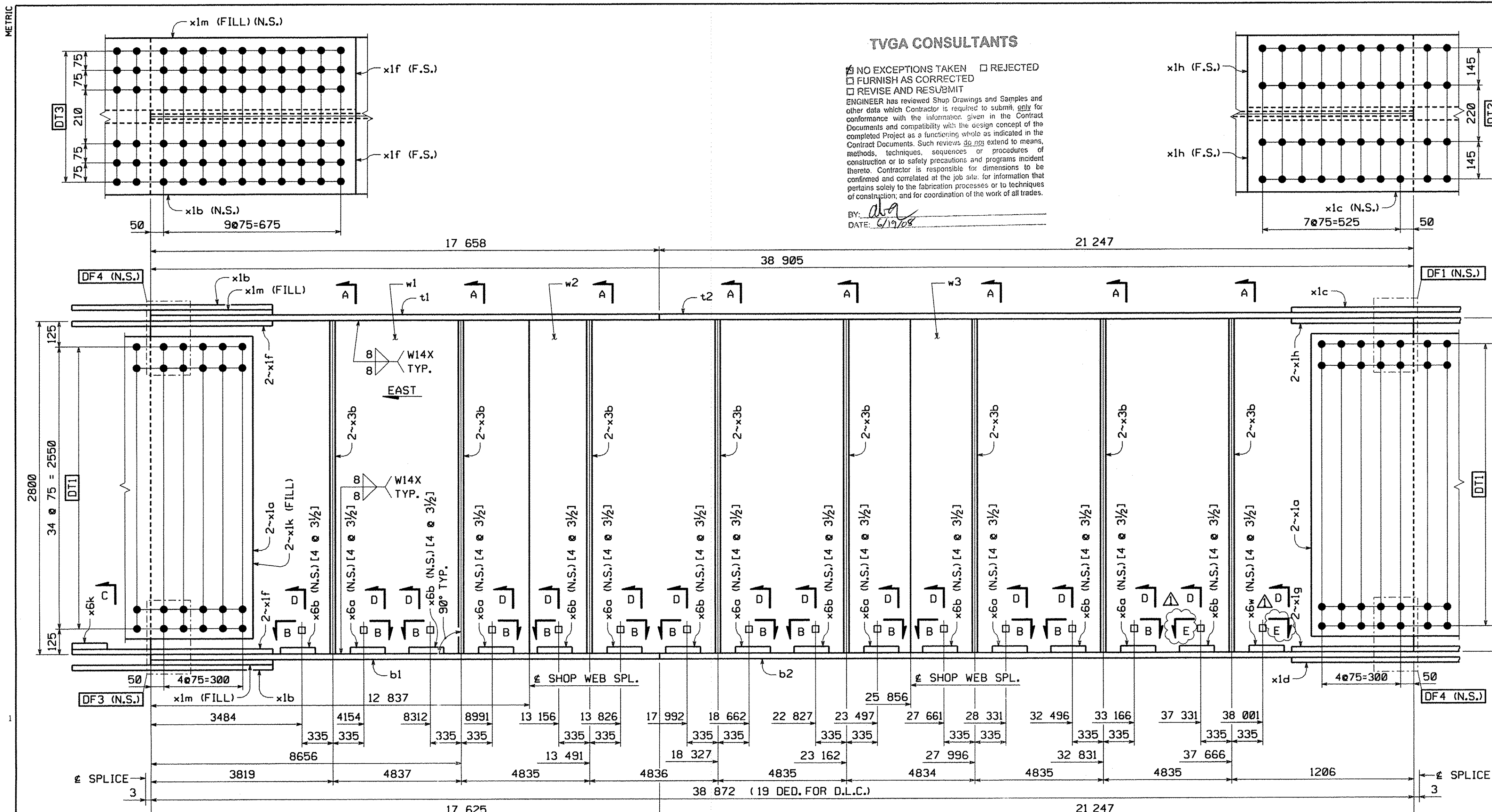


**TVGA CONSULTANTS**

NO EXCEPTIONS TAKEN OR REJECTED  
 FURNISH AS CORRECTED  
 REVISE AND RESUBMIT  
 ENGINEER has reviewed Shop Drawings and Samples and other data which Contractor is required to submit for performance with the information given in the Contract Documents and compatibility with the design concept of the completed Project as a functioning whole as indicated in the Contract Documents. Such review is limited to means, methods, techniques, sequences or procedures of construction or to safety precautions and programs incident thereto. Contractor is responsible for dimensions to be confirmed and certified at the job site for information that pertains solely to the fabrication processes or to techniques of construction, and for coordination of the work of all trades.

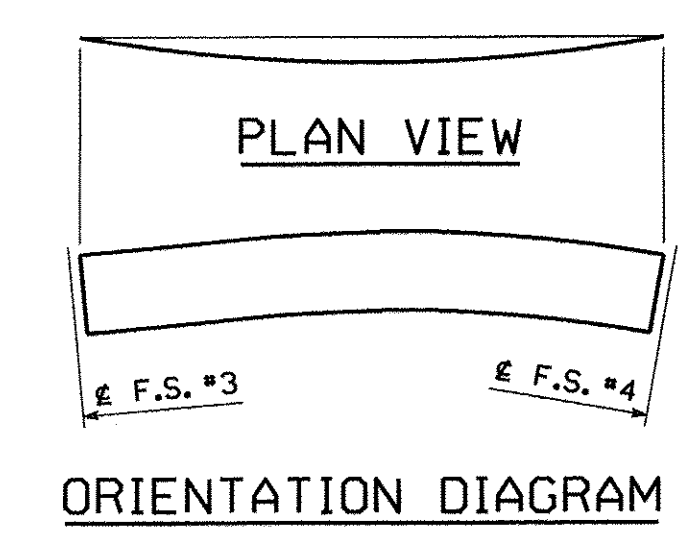
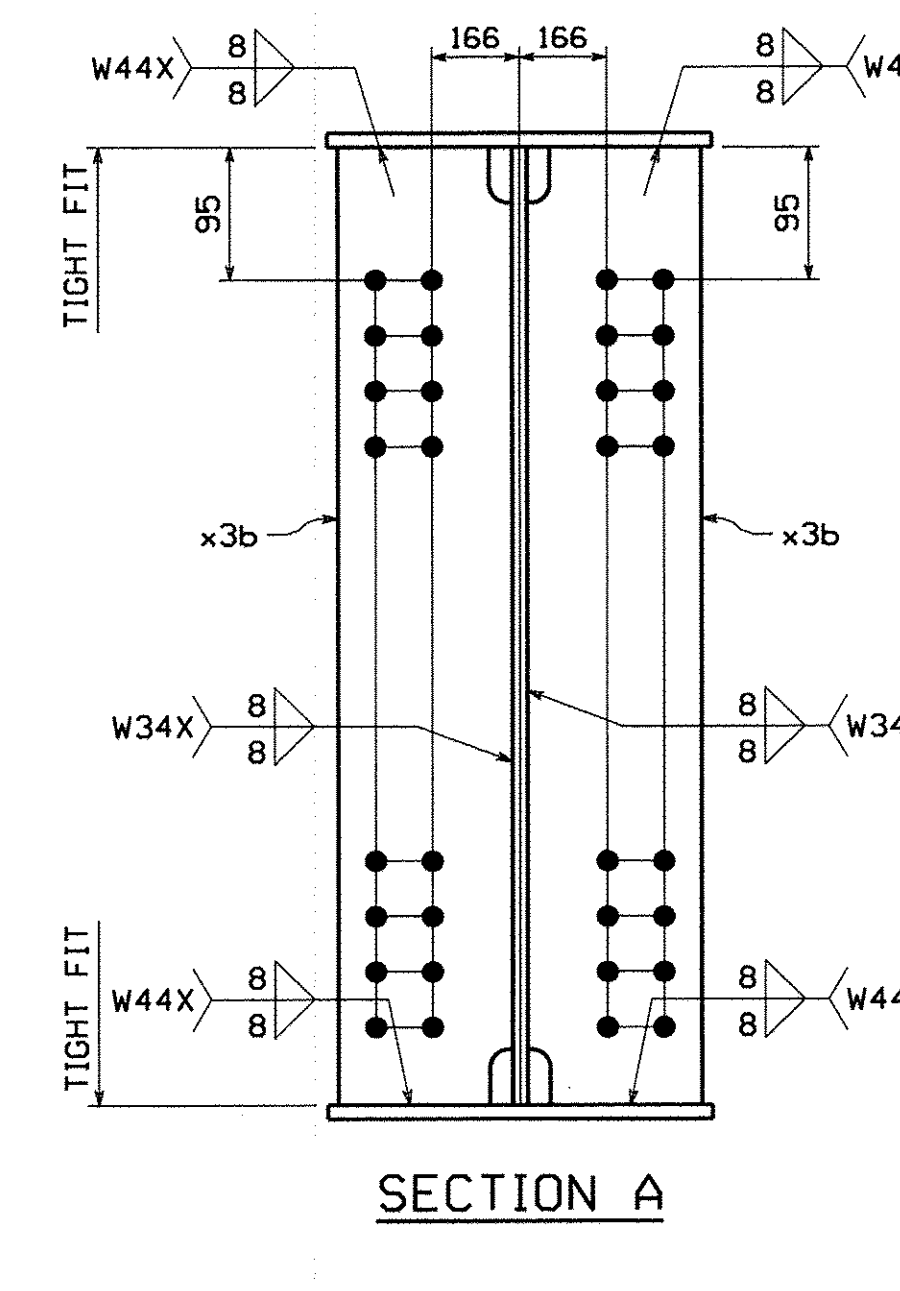
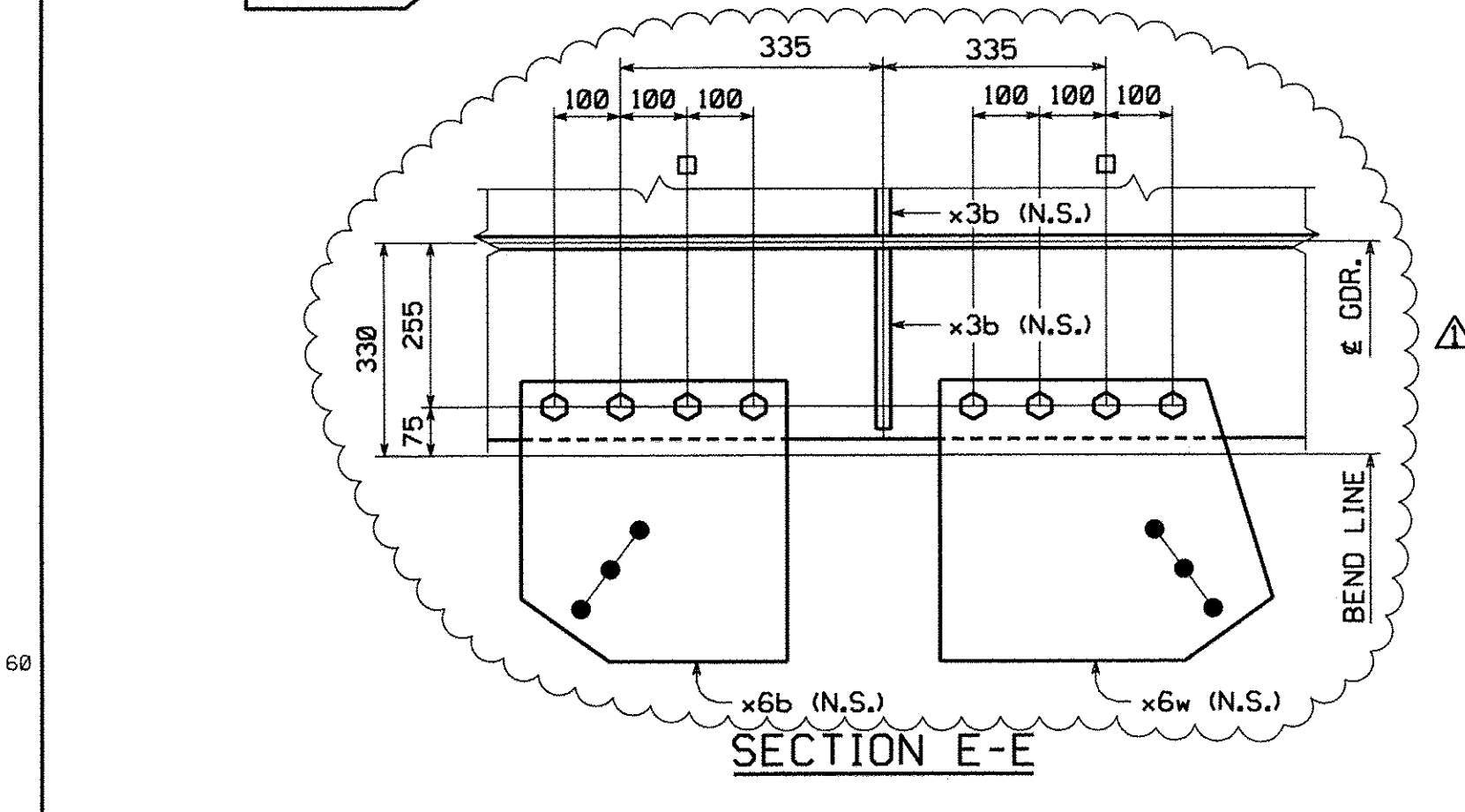
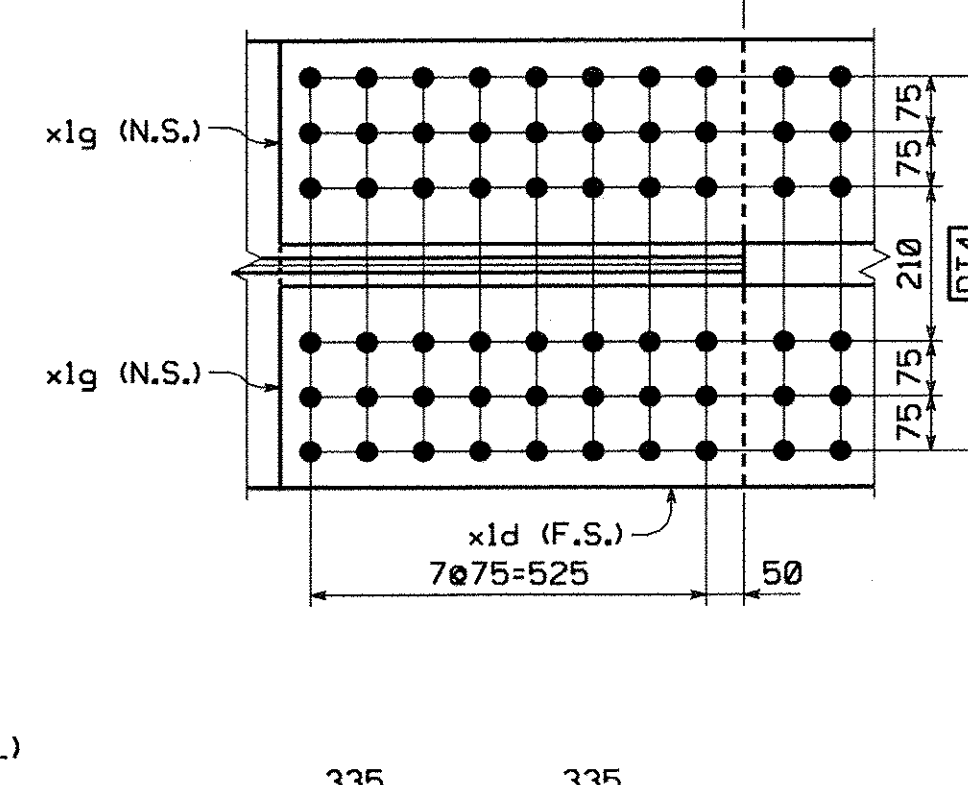
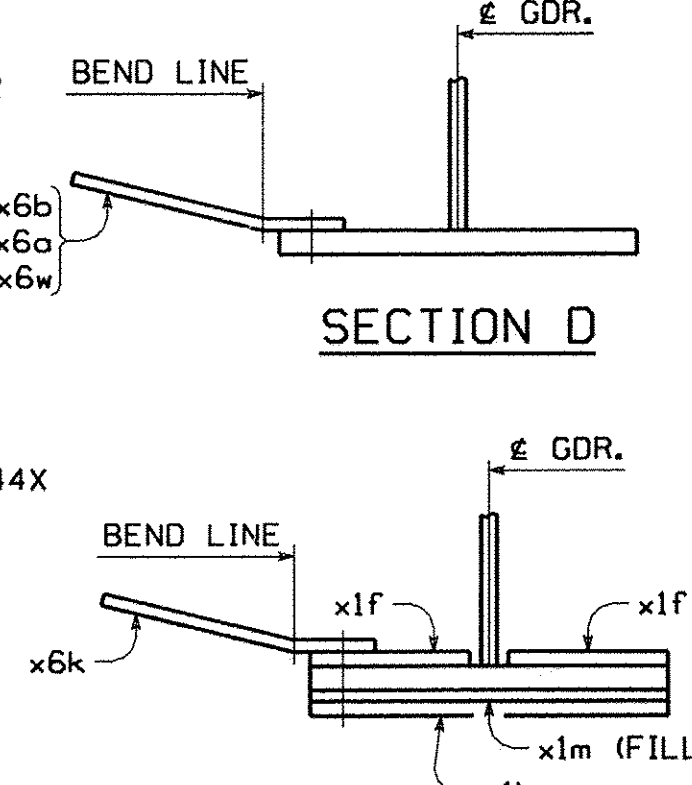
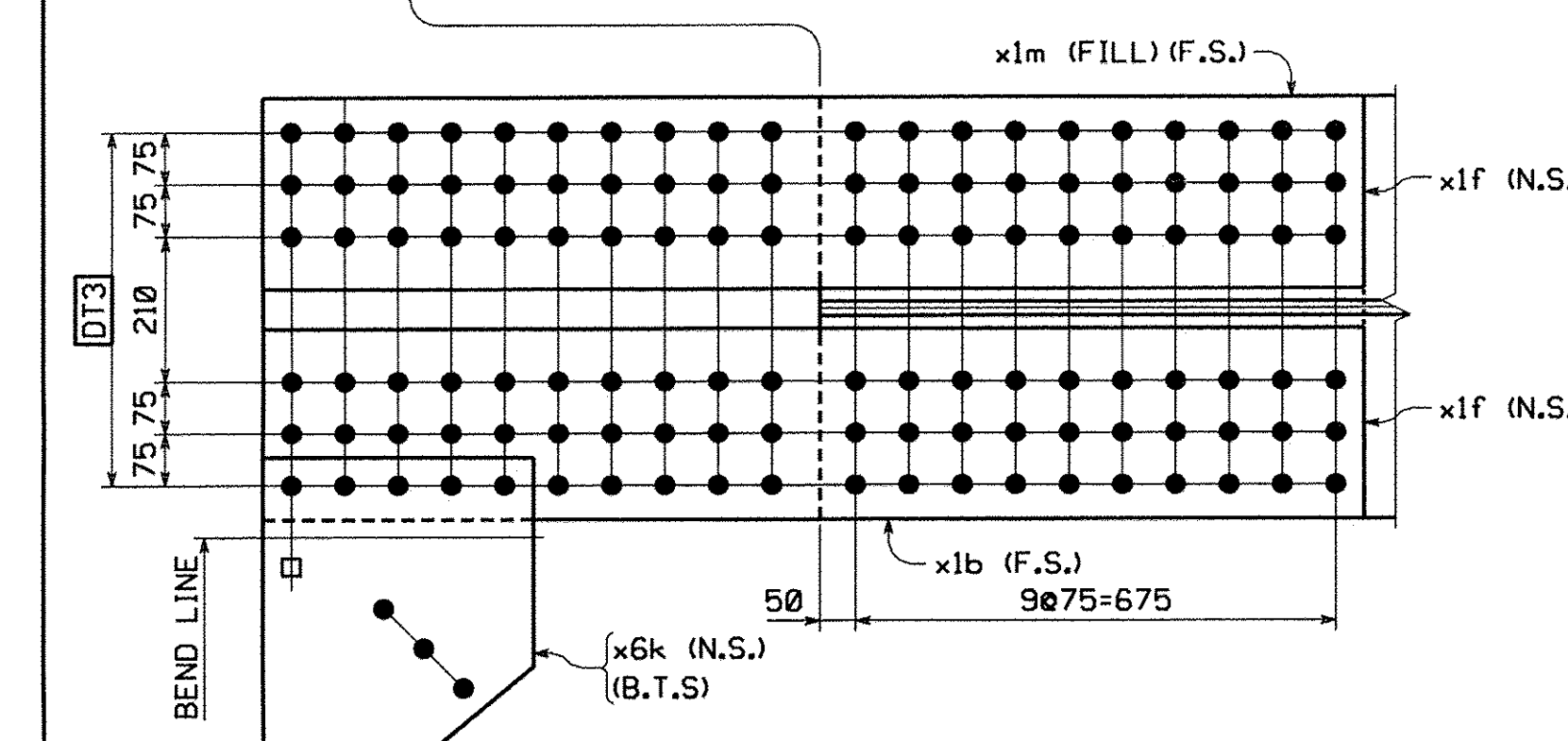
BY: *[Signature]*  
 DATE: 6/19/08

BILL OF MATERIAL											
QTY	MARK	COMM	DESCRIPTION	LENGTH	SPEC	GRADE	TEST	REMARKS	ITEM	GROSS WT. EA.	NET WT. EA.
1	G6D		GIRDER							37683.44	7.91 37675.53
1	w1	PL	22 x 2800	12 849	M270M	345W	T		03011	6212.51	2.83 6209.68
1	w2	PL	22 x 2800	13 021	M270M	345W	T		03009	6296.67	0.00 6296.67
1	w3	PL	22 x 2800	13 037	M270M	345W	T		03008	6303.41	5.09 6298.32
1	t1	PL	40 x 610	17 658	M270M	345W	T		04001	3381.80	0.00 3381.80
1	t2	PL	40 x 610	21 247	M270M	345W	T		04003	4099.16	0.00 4099.16
1	b1	PL	40 x 610	17 625	M270M	345W	T		04001	3375.48	0.00 3375.48
1	b2	PL	40 x 610	21 247	M270M	345W	T		04003	4099.16	0.00 4099.16
4	x1a	PL	15.9 x 2630	786	M270M	345W	T		06001	257.98	0.00 257.98
2	x1b	PL	20.6 x 610	1536	M270M	345W	T		06002	151.50	0.00 151.50
1	x1c	PL	20.6 x 610	1236	M270M	345W	T		06002	121.91	0.00 121.91
1	x1d	PL	20.6 x 610	1236	M270M	345W	T		06002	121.91	0.00 121.91
4	x1f	PL	20.6 x 280	1536	M270M	345W	T		06003	69.54	0.00 69.54
2	x1g	PL	20.6 x 280	1236	M270M	345W	T		06003	55.96	0.00 55.96
2	x1h	PL	20.6 x 280	1236	M270M	345W	T		06003	55.96	0.00 55.96
2	x1k	SHF	18GA x 380	2 630	A606 Type 4			FILL	06004	16.10	0.00 16.10
2	x1m	PL	15.9 x 610	765	M270M	345W	T		06005	58.24	0.00 58.24
16	x3b	PL	14.3 x 280	2 800	M270M	345W	T		07002	88.00	0.00 88.00
8	x3c	PL	14.3 x 420	420	M270M	345W	T		07003	19.80	0.00 19.80
7	x3d	PL	14.3 x 420	420	M270M	345W	T		07003	19.80	0.00 19.80
1	x3e	PL	14.3 x 380	415	M270M	345W	T	BENT (B.T.S.)	07003	17.70	0.00 17.70
1	x3w	PL	14.3 x 513	420	M270M	345W	T	BENT	07003	24.18	0.00 24.18
64	140308	HS Bolt	7/8"	0-3 1/2"	M164 Type 3				17002	0.00 0.00	0.00 0.00
64	N14	NLJ	7/8"		M291		DH3		17004	0.00 0.00	0.00 0.00
64	W14	Slid Wash	7/8"		M293 Weathering				17006	0.00 0.00	0.00 0.00
<b>TOTAL WEIGHT THIS SHEET:</b>										<b>37 675.53 kgs</b>	
<b>BID ITEM 0160 506.56</b>											



**GIRDER ~ MK. G5D**

FOR GENERAL SHOP NOTES, SEE DWG. G01 & G02  
 FOR WEB CAMBER DIAGRAM, SEE DWG. WC2.  
 FOR HORIZ. CURVE DIAGRAM, SEE DWG. HC1.



**SHOP NOTE:**  
 [4 @ 3/2"]  
 INDICATES LENGTH OF 7/8" H.S. BOLTS  
 INDICATES NUMBER OF 7/8" H.S. BOLTS

ADDED SECT. E-E FOR GUSSET PLATE x6w	MCK	CS	5/28/08
REVISION BY CHK'D DATE			
NO. REVISION BY CHK'D DATE			
<b>HIGH STEEL STRUCTURES</b>			
GIRDER G5D			
VT ROUTE 279 OVER FURNACE BROOK			
VT ROUTE 279 STA. 8+542.000 TO STA. 8+685.000			
TOWN OF BENNINGTON VERMONT, BRIDGE B12			
STATE OF VERMONT			
AGENCY OF TRANSPORTATION			
AC NH F019-1153		FED. AID PROJ. NO.	
GENERAL CONTRACTOR J.A. McDONALD, INC.		HSSI PROJ. MGR DEB KUPRES	
DRAWING MANAGER BRITIGAN (IH)		MADE BY JAW	
PROJECT NUMBER S-1070147		HSSI STRUCT. ID A	
STATE VT		DRAWING NUMBER 23 OF 34	