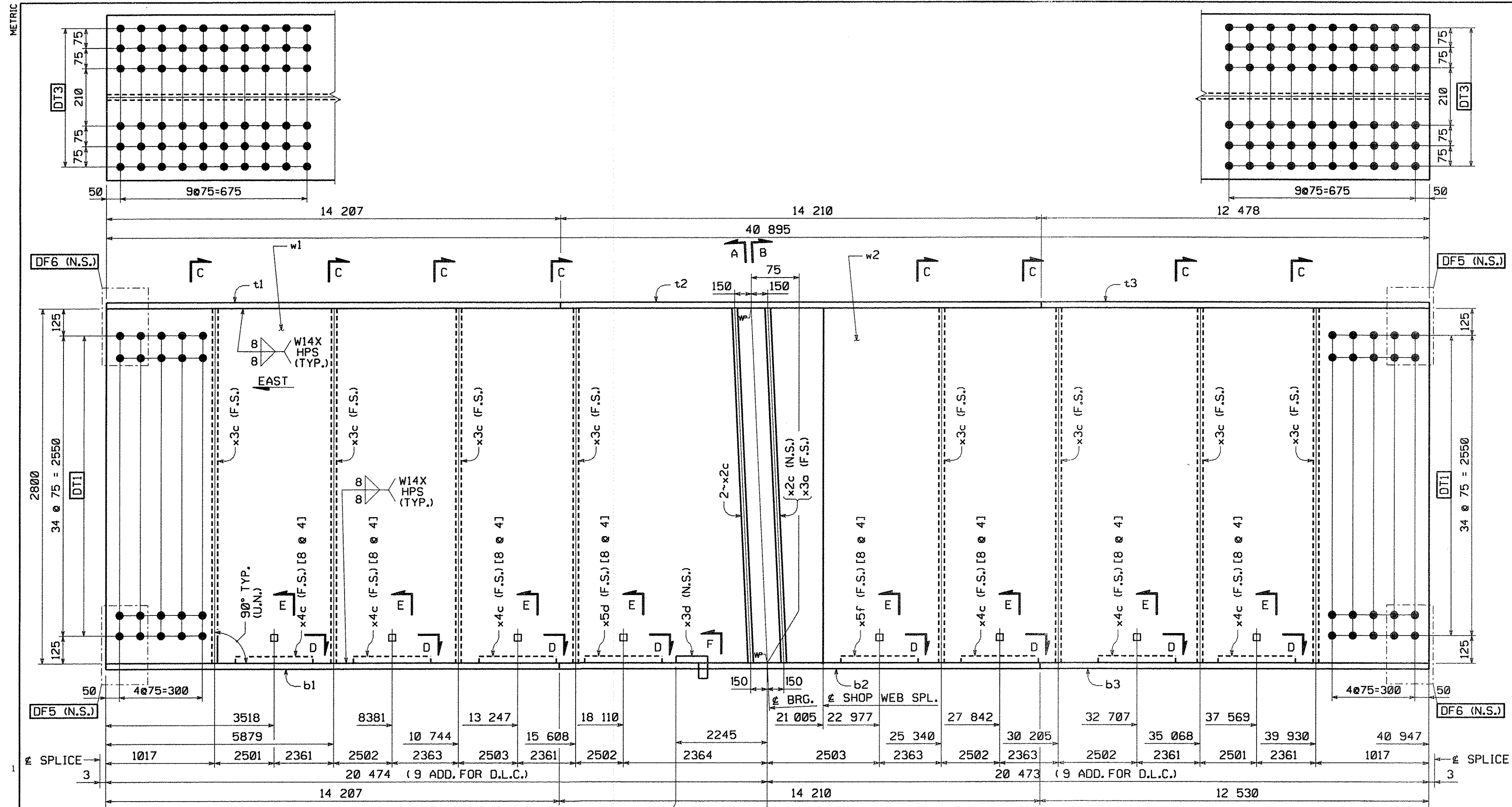


METRIC



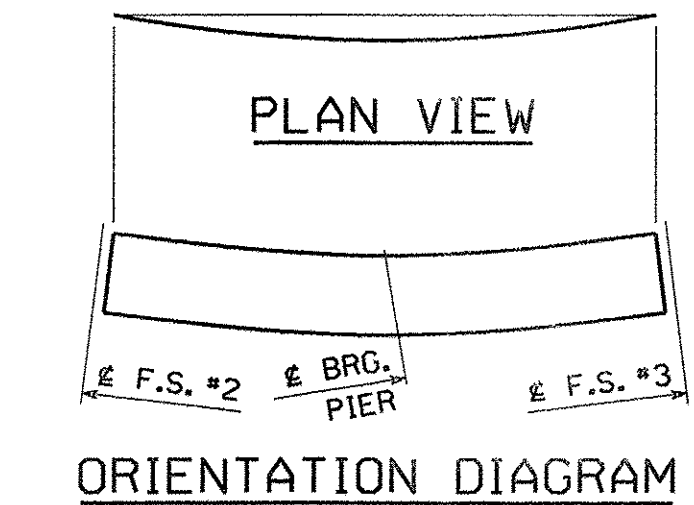
BILL OF MATERIAL												
QTY	MARK	COMM	DESCRIPTION	LENGTH	SPEC	GRADE	TEST	REMARKS	ITEM	GROSS WT. EA.	NET WT. EA.	
1	G6C		GIRDER							46798.02	93.58	46704.44
1	w1	PL	26 x 2800	21 006	M270M	HPS485W	T		03013	12003.06	7.43	11985.63
1	w2	PL	26 x 2800	19 942	M270M	HPS485W	T		03014	11395.07	7.43	11387.64
1	t1	PL	55 x 610	14 207	M270M	HPS485W	T		04011	3741.21	0.00	3741.21
1	t2	PL	55 x 610	14 210	M270M	HPS485W	T		04011	3742.00	0.00	3742.00
1	t3	PL	55 x 610	12 479	M270M	HPS485W	T		04009	3298.17	0.00	3298.17
1	b1	PL	55 x 610	14 207	M270M	HPS485W	T		04011	3741.21	0.00	3741.21
1	b2	PL	55 x 610	14 210	M270M	HPS485W	T		04011	3742.00	0.00	3742.00
1	b3	PL	55 x 610	12 531	M270M	HPS485W	T		04009	3299.86	0.00	3299.86
3	x2c	PL	25.4 x 280	2 801	M270M	345W	T		07001	156.36	0.00	156.36
1	x3a	PL	25.4 x 280	2 801	M270M	345W	T		07001	156.36	0.00	156.36
8	x3c	PL	15.9 x 280	2 800	M270M	345W	T		07005	97.84	9.84	88.00
1	x3d	PL	6.4 x 105	387	M270M	345W		BENT	07004	2.04	0.00	2.04
6	x4c	PL	14.3 x 1140	425	M270M	345W		BENT	07003	54.38	0.00	54.38
1	x5d	PL	14.3 x 1140	433	M270M	345W		BENT	07003	55.40	0.00	55.40
1	x5f	PL	14.3 x 1140	434	M270M	345W		BENT	07003	55.53	0.00	55.53
64	140400	HS Bolt	7/8	0-4	M164 Type 3				17001	0.00	0.00	0.00
64	N14	NUT	7/8		M291	DH3			17004	0.00	0.00	0.00
64	W14	Std Wash	7/8		M293 Vweathering				17005	0.00	0.00	0.00
WEIGHT FOR BID ITEM: 0990 900.635										44 935.72	kgs	
WEIGHT FOR BID ITEM: 0160 506.56										1 768.72	kgs	
TOTAL WEIGHT THIS SHEET:										46 704.44	kgs	

TVGA CONSULTANTS

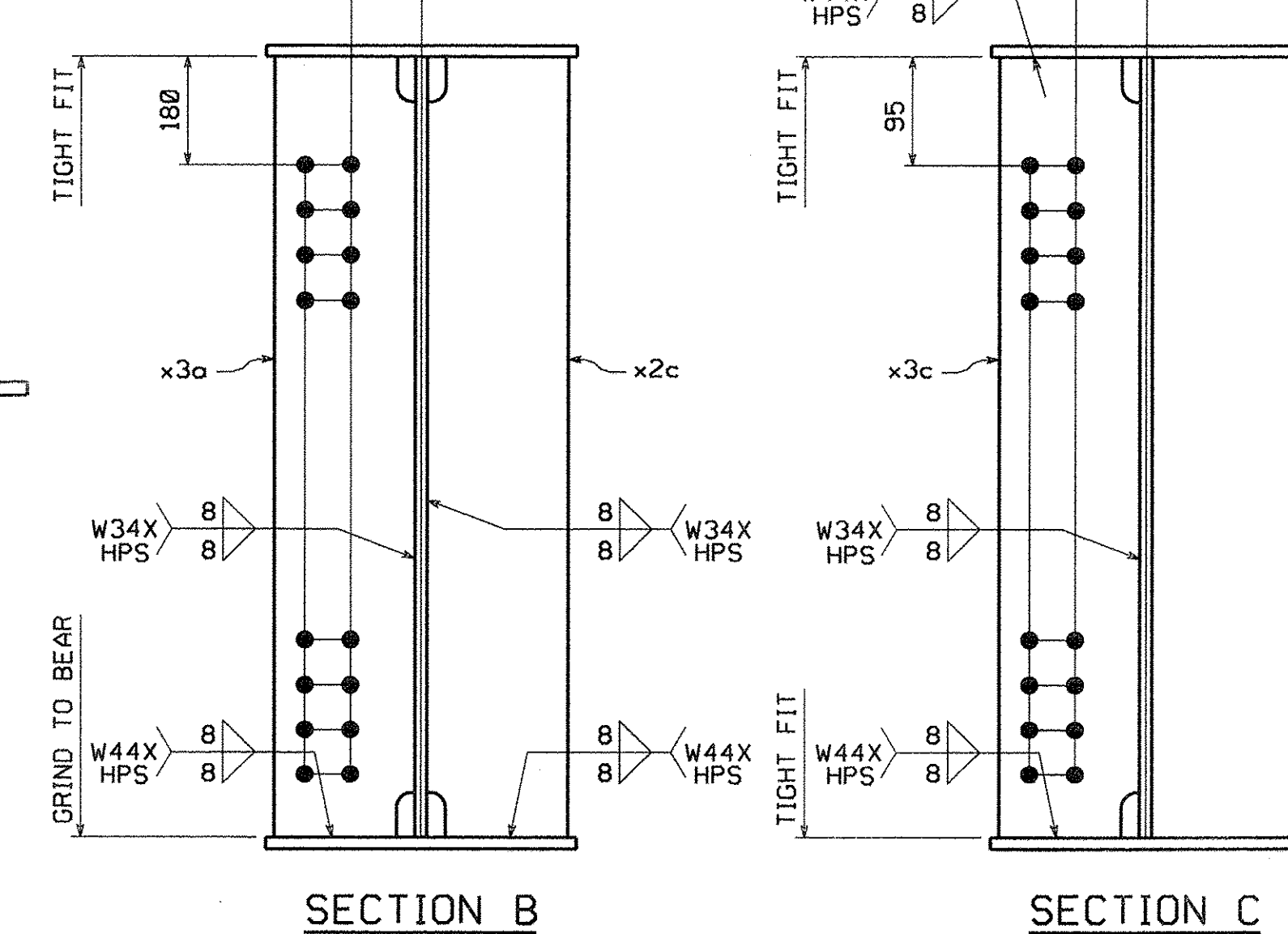
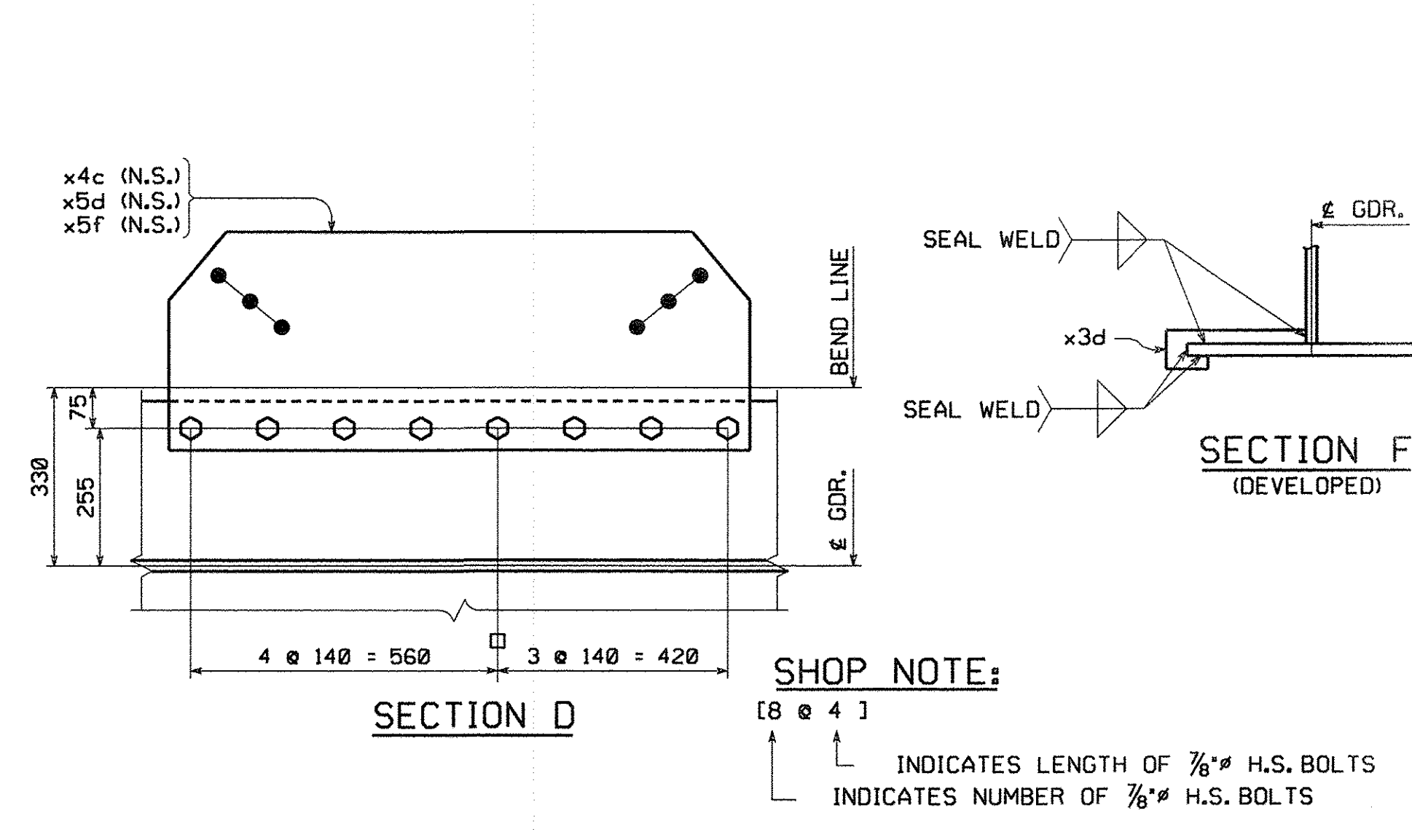
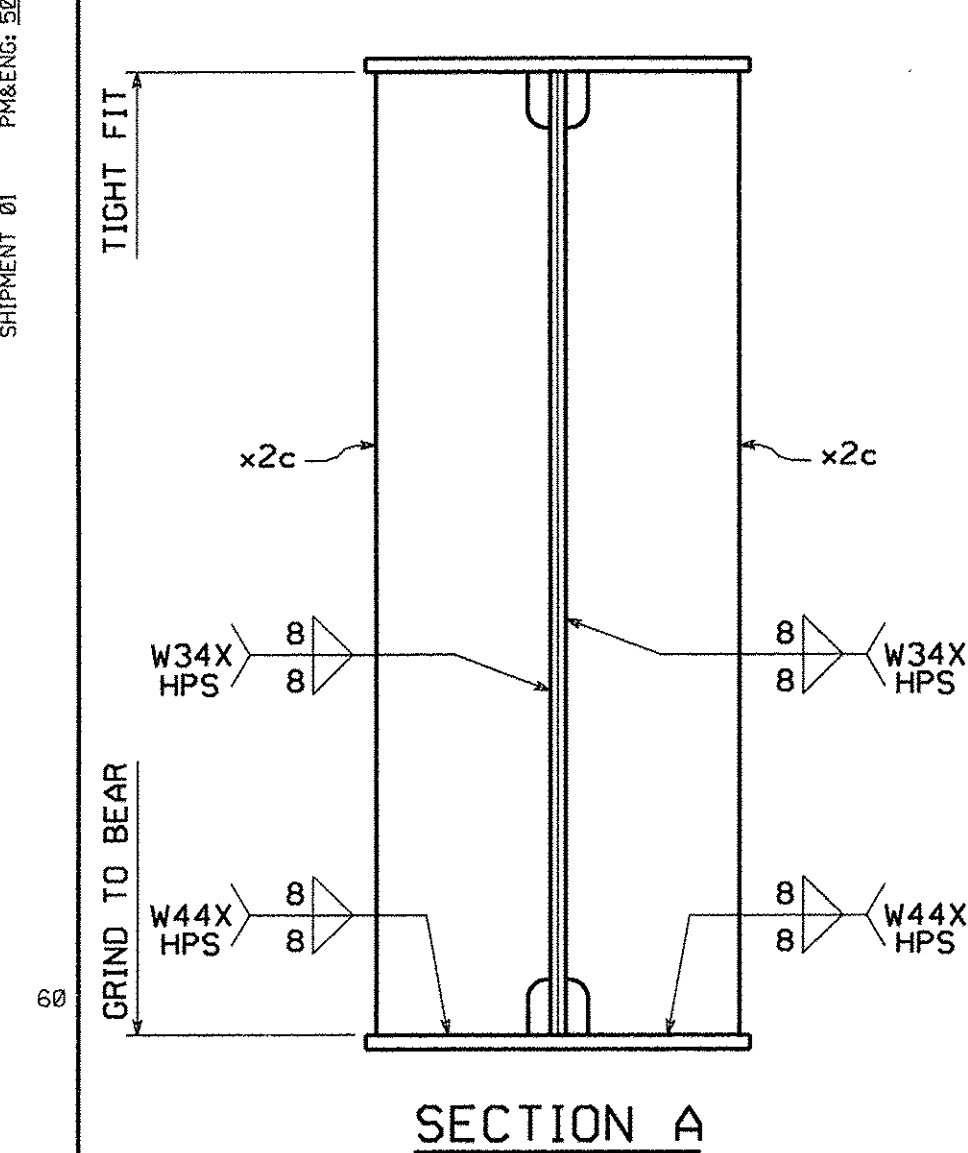
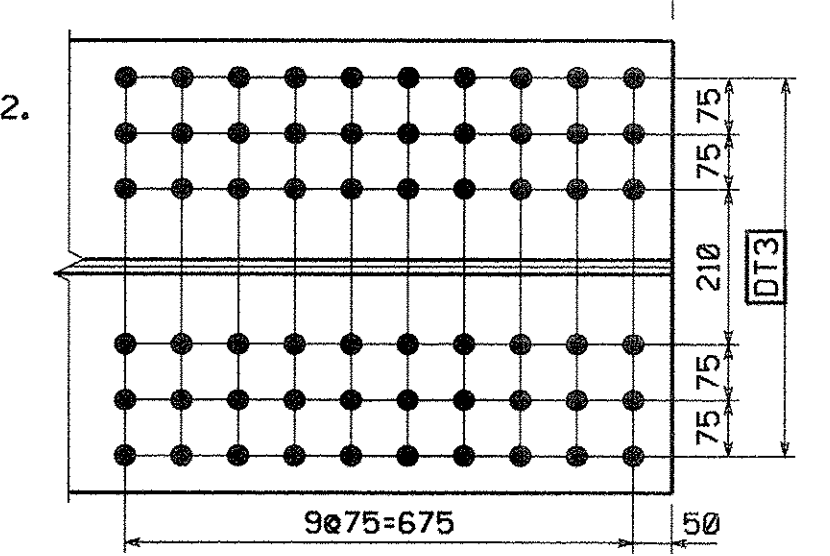
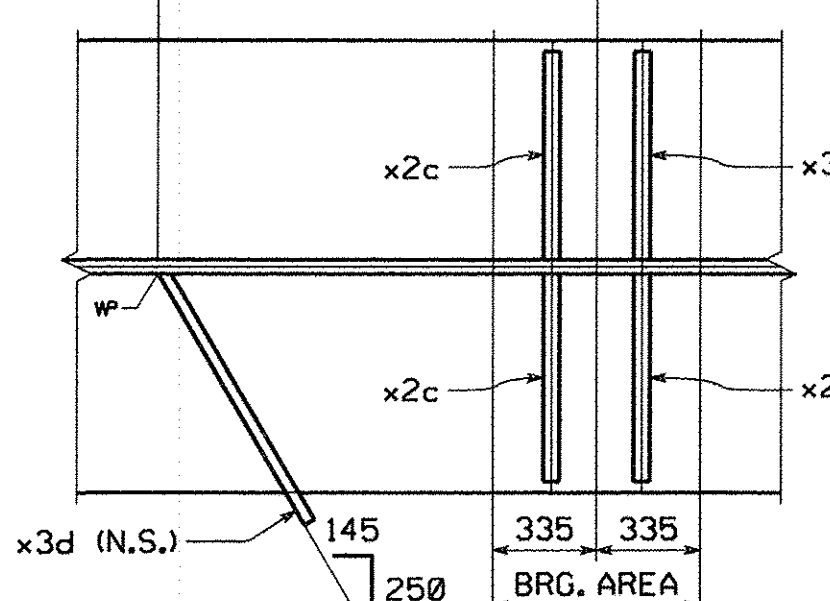
NO EXCEPTIONS TAKEN REJECTED
 FURNISH AS CORRECTED
 REVISE AND RESUBMIT

ENGINEER has reviewed Shop Drawings and Samples and other data which Contractor is required to submit, only for conformance with the information given in the Contract Documents and compatibility with the design concept of the completed Project as a functioning whole as indicated in the Contract Documents. Such reviews do not extend to means, methods, technique, sequences or procedures of construction or to safety precautions and programs incident thereto. Contractor is responsible for dimensions to be confirmed and correlated at the job site; for information that pertains solely to the fabrication processes or to techniques of construction; and for coordination of the work of all trades.

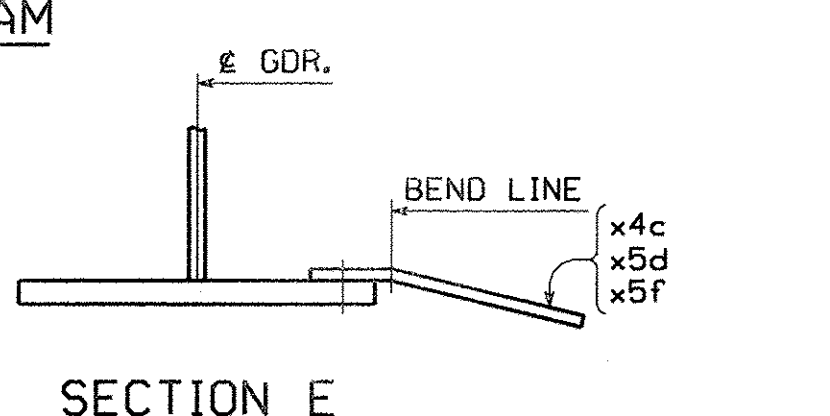
BY: *[Signature]*
 DATE: 11/27/07



GIRDER MK. G6C
 FOR GENERAL SHOP NOTES, SEE DWG. G01 & G02.
 FOR WEB CAMBER DIAGRAM, SEE DWG. WC2.
 FOR HORIZ. CURVE DIAGRAM, SEE DWG. HC1.



SHOP NOTE:
 [8 @ 4]
 INDICATES LENGTH OF 7/8" H.S. BOLTS
 INDICATES NUMBER OF 7/8" H.S. BOLTS



NO.	REVISION	BY	CHK'D	DATE

HOLES	15/16"			
BOLTS	AS NOTED			
COATING	NONE			
CODE(S)	30			
SCALE	N.T.S.			
GENERAL CONTRACTOR	J.A. McDONALD, INC.	FED. AID PROJ. NO.	AC NH F019-(153)	HSS PROJ. MGR
DRAWING MANAGER	BRITIGAN (IH)	MADE BY	MAF	CHK'D BY
HSS PROJECT NUMBER	S-1070147	HSS STRUCT. ID	A	DRAWING NUMBER
STATE	VT			DATE
				11/27/07
				18 OF 34

SHIPMENT 01 PAKING: 500281Z PRD: 500281B SHIPPERECT: 500281B
 BY: M:reseda
 PLOTTED: 11/20/2007 10:27:53 PM