

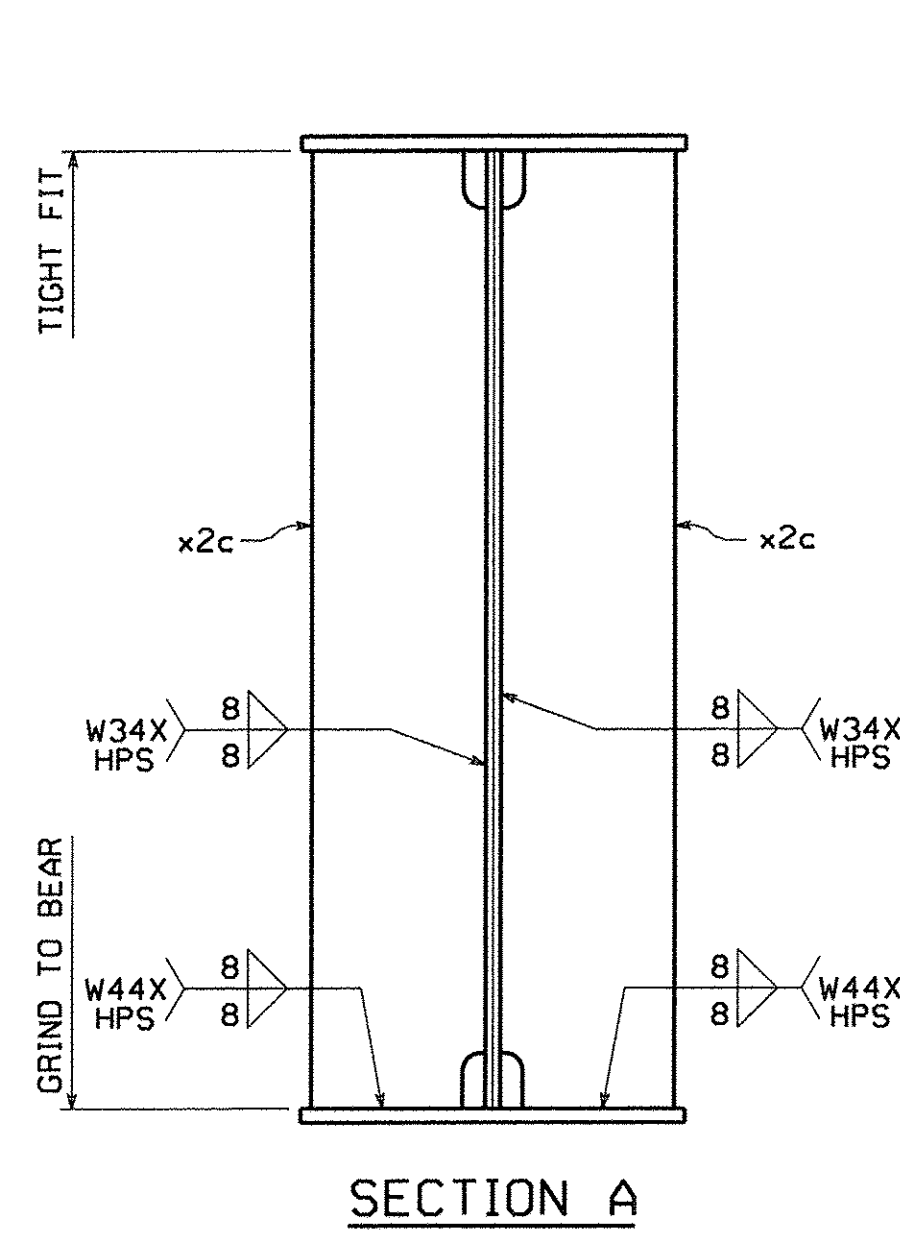
METRIC

SHIPMENT 01

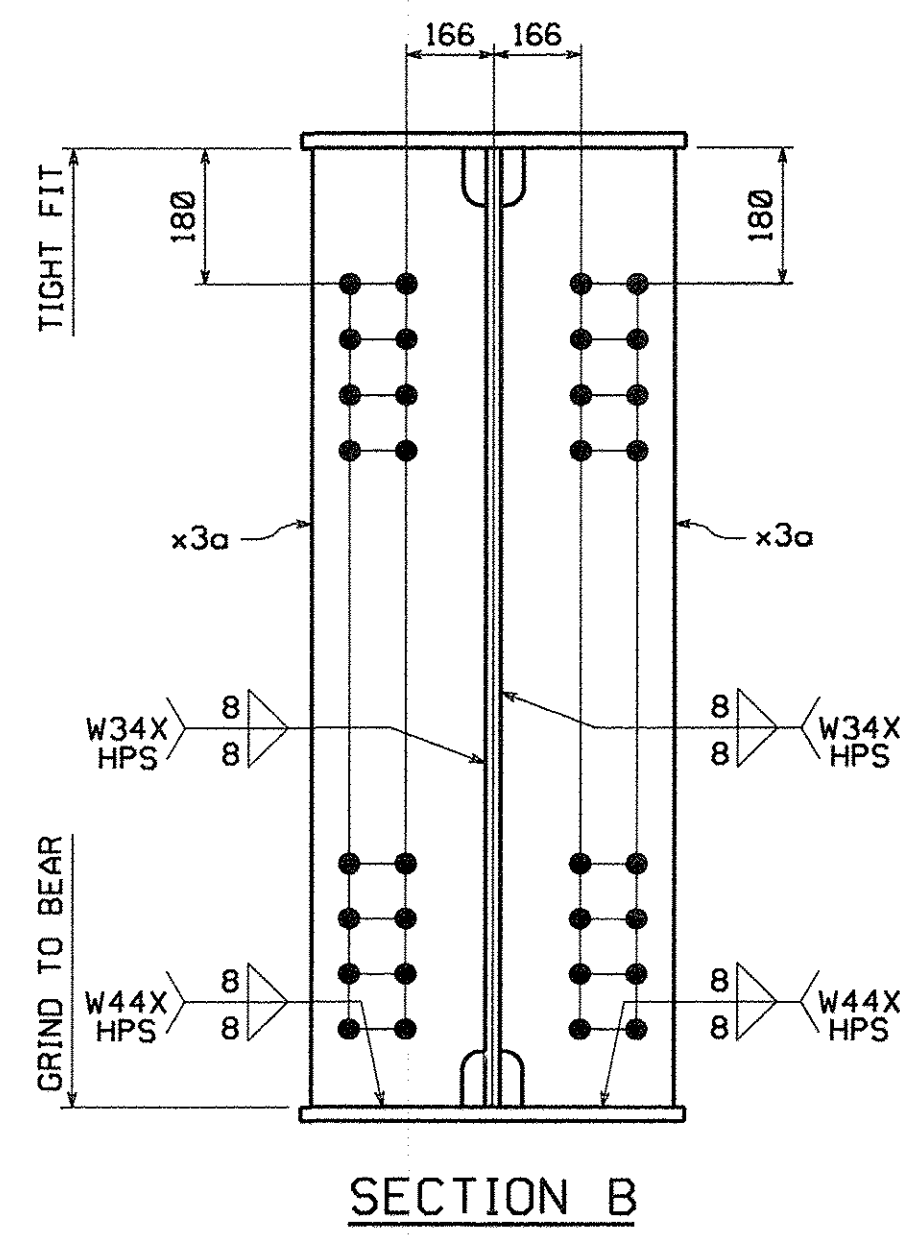
PARKING: 5002812Z PROD: 50028108 SHIP/AFFECT: 50028109

BY: Mkr/edcl

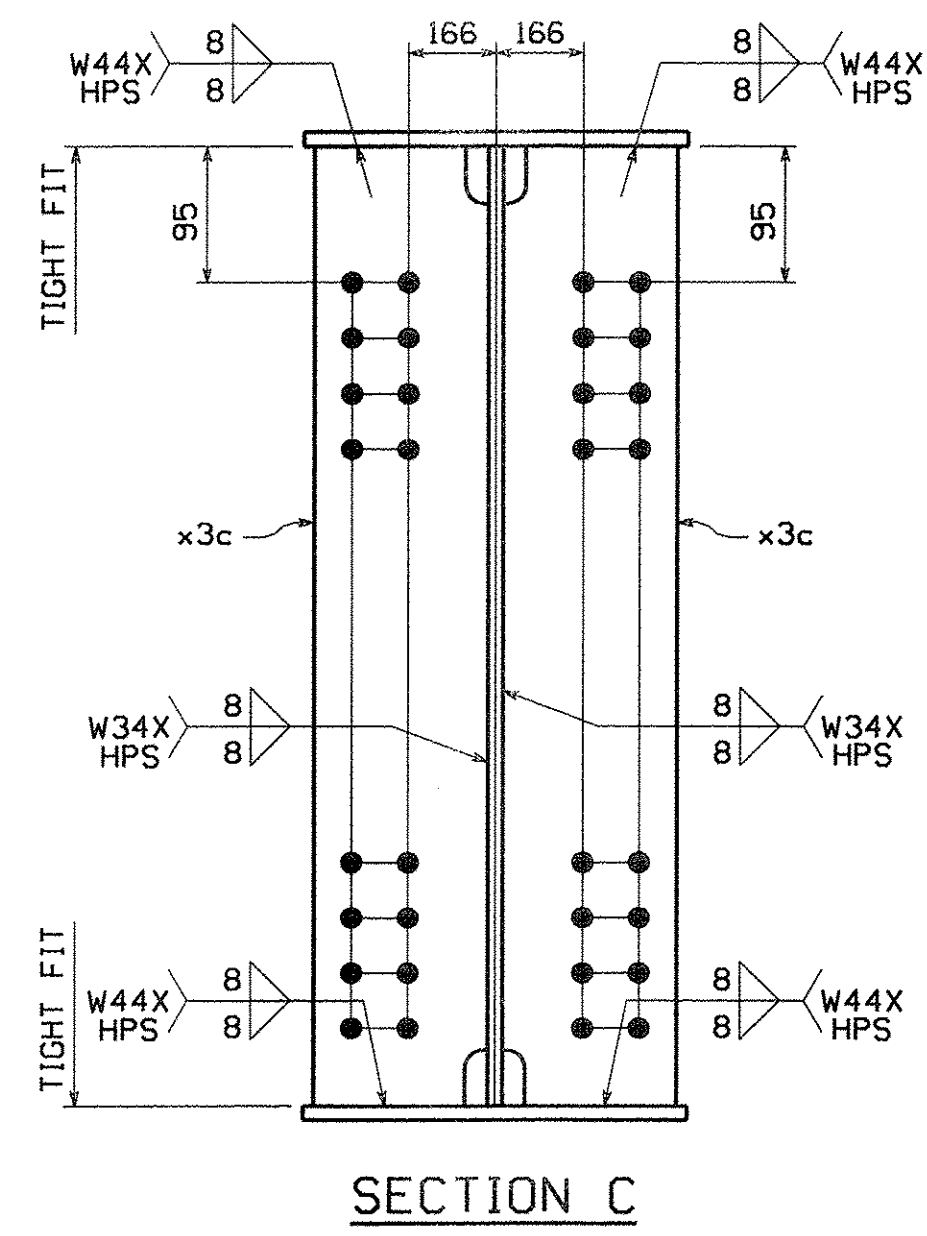
PLOT/ED: 11/30/2007 1:27:24 PM



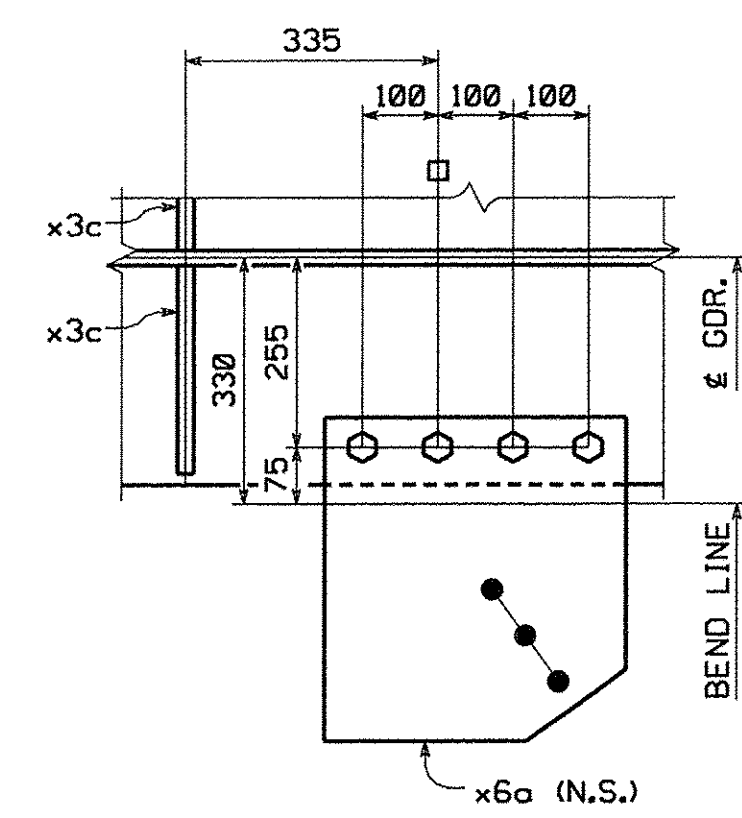
SECTION A



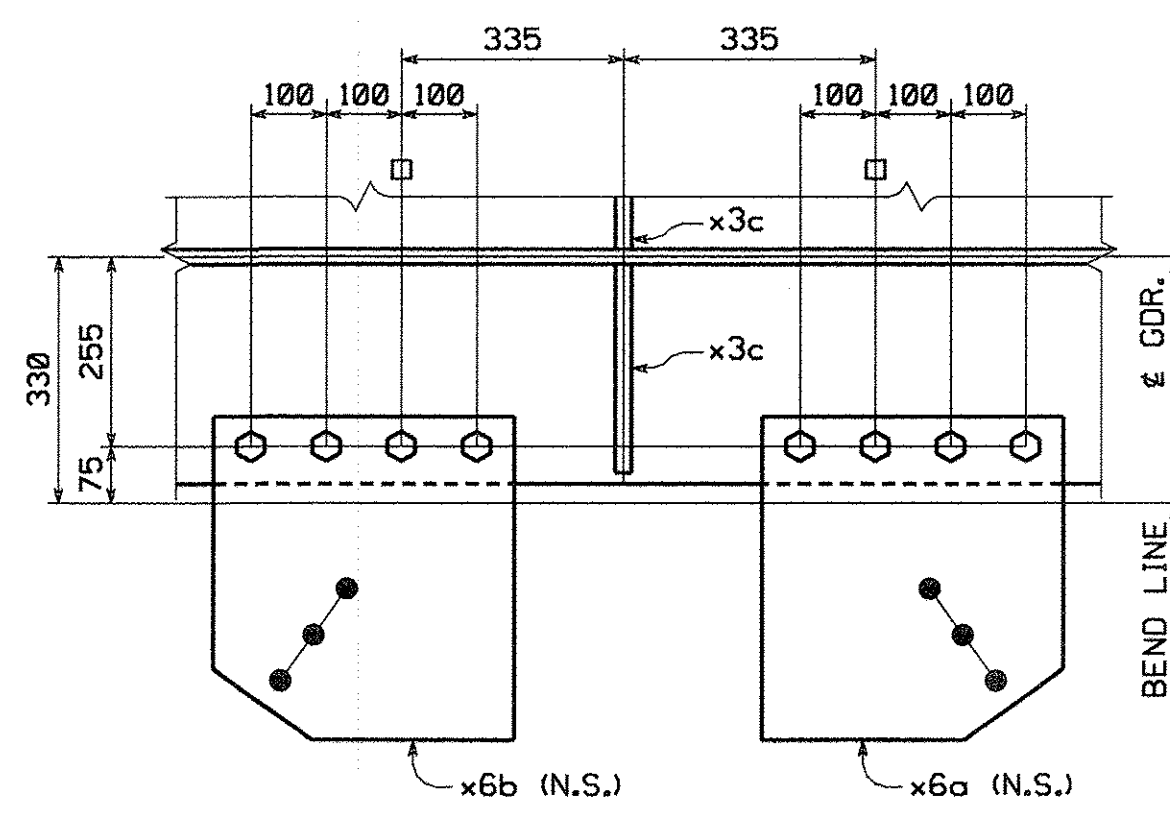
SECTION B



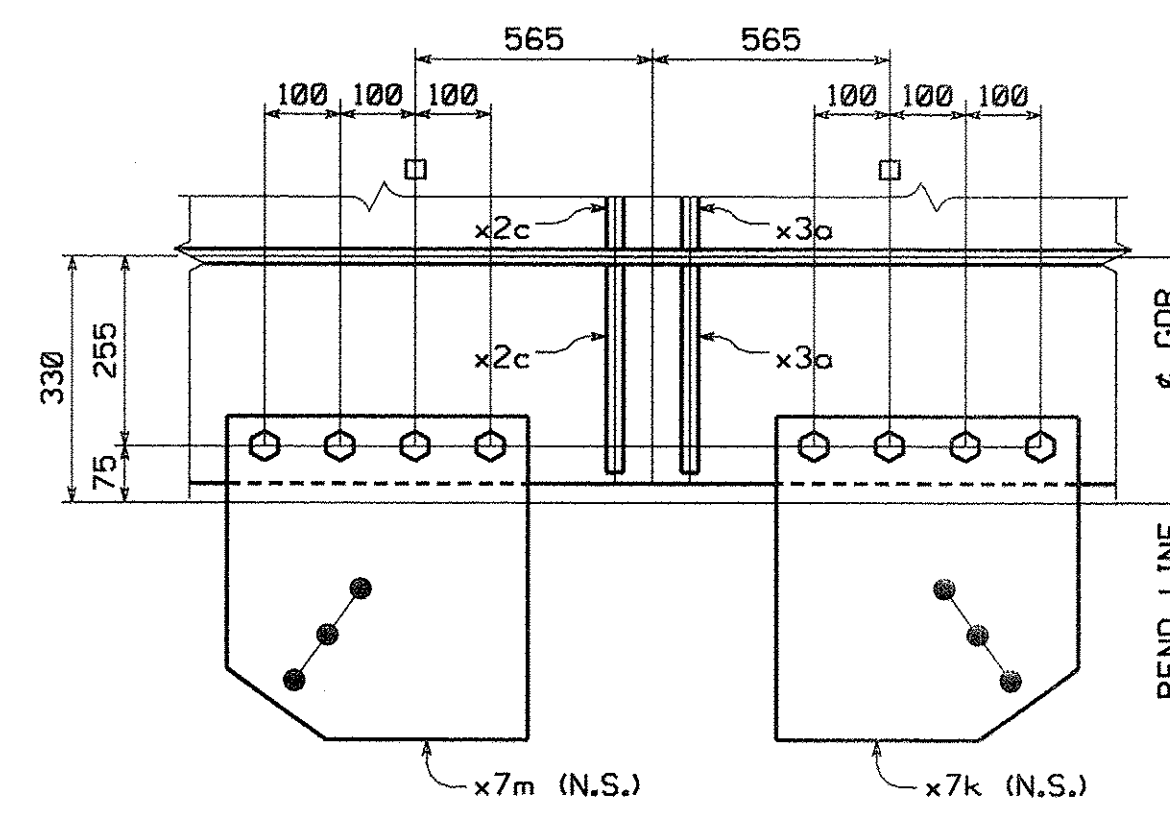
SECTION C



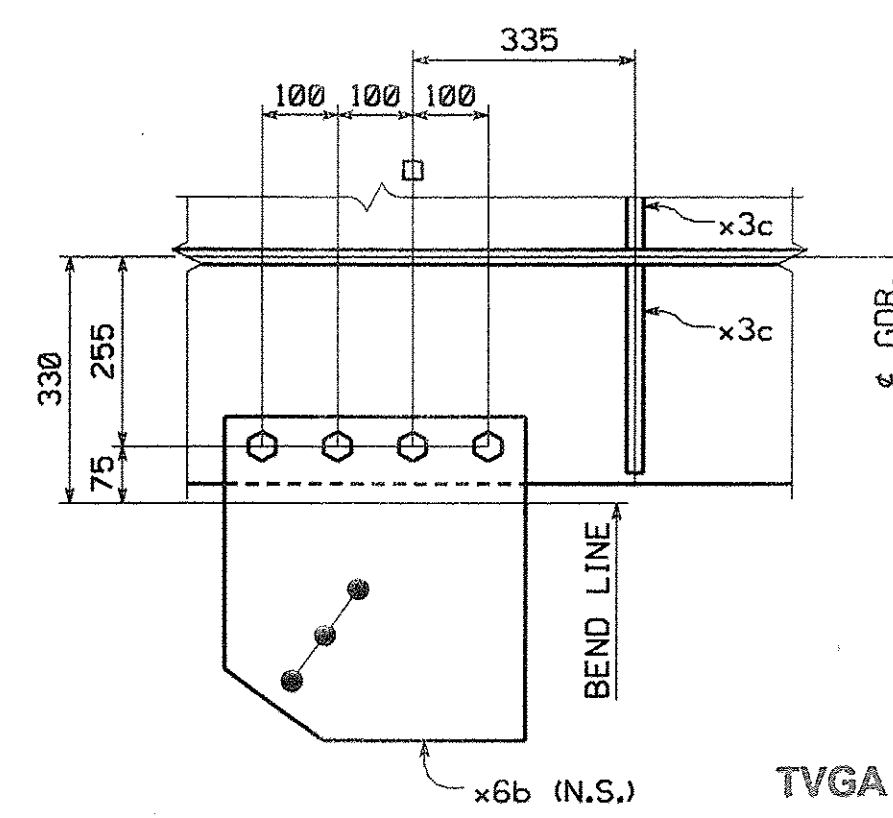
SECTION D



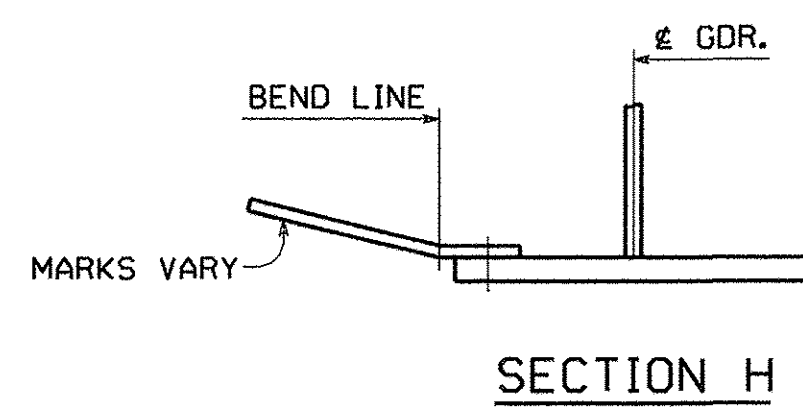
SECTION E-E



SECTION F-F



SECTION G



SECTION H

TVGA CONSULTANTS

NO EXCEPTIONS TAKEN REJECTED
 FURNISH AS CORRECTED
 REVISE AND RESUBMIT

ENGINEER has reviewed Shop Drawings and Samples and other data which Contractor is required to submit, fully for conformance with the information given in the Contract Documents and compatibility with the design concept of the completed Project as a functioning whole as indicated in the Contract Documents. Such review is not extend to means, methods, techniques, sequences or procedures of construction or to safety precautions and programs incident thereto. Contractor is responsible for dimensions to be confirmed and correlated at the job site, for information that pertains solely to the fabrication processes or to techniques of construction and coordination of the work of all trades.

BY: *abp*
 DATE: *1/20/08*

NOTES:
 WORK THIS DRAWING WITH DRAWING 17AB.

NO.	REVISION	BY	CHK'D	DATE
HOLES	15/16"			
BOLTS	AS NOTED			
COATING	NONE			
CODE(S)	30			
SCALE	N.T.S.			
GENERAL CONTRACTOR	J.A. McDONALD, INC.			
SHPMT	3			
STATE	VT			

	<p>HIGH STEEL STRUCTURES An ISO 9001:2000 Certified Company An Affiliate of High Industries Inc. 3501 W. 4th Street Lancaster, PA 17605-0008 Phone: (717) 299-5271 Fax: (717) 299-5272 www.highsteel.com</p>
<p>GIRDER</p>	<p>G5C</p>
<p>VT ROUTE 279 OVER FURNACE BROOK</p>	<p>VT ROUTE 279 STA. 8+542.000 TO STA. 8+685.000</p>
<p>TOWN OF BENNINGTON VERMONT, BRIDGE B12</p>	<p>STATE OF VERMONT</p>
<p>AGENCY OF TRANSPORTATION</p>	<p>AC NH F019-1(53)</p>
<p>FED. AID PROJ. NO.</p>	<p>FED. AID PROJ. NO.</p>
<p>HSSI PROJ. MGR</p>	<p>HSSI PROJ. MGR</p>
<p>DEB KUPRES</p>	<p>DEB KUPRES</p>
<p>DRAWING MANAGER</p>	<p>BRITIGAN (IH)</p>
<p>MADE BY</p>	<p>MAF</p>
<p>CHK'D BY</p>	<p>WBW</p>
<p>DATE</p>	<p>11/27/07</p>
<p>HSSI PROJECT NUMBER</p>	<p>S-1070147</p>
<p>HSSI STRUCT. ID</p>	<p>A</p>
<p>DRAWING NUMBER</p>	<p>17B OF 34</p>