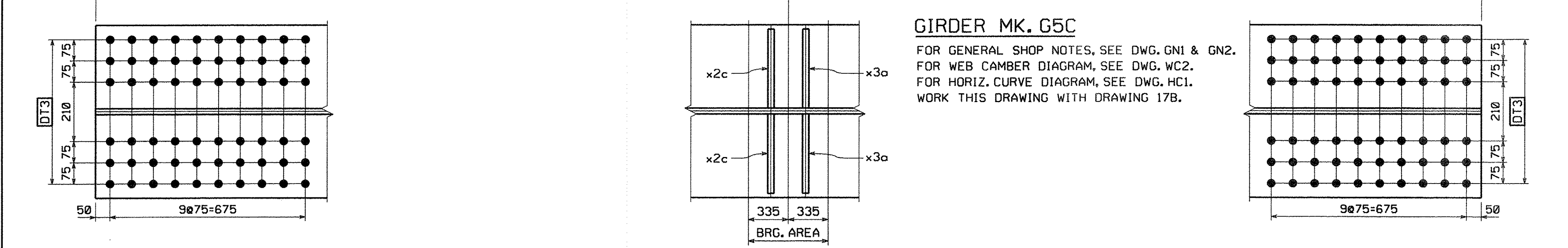
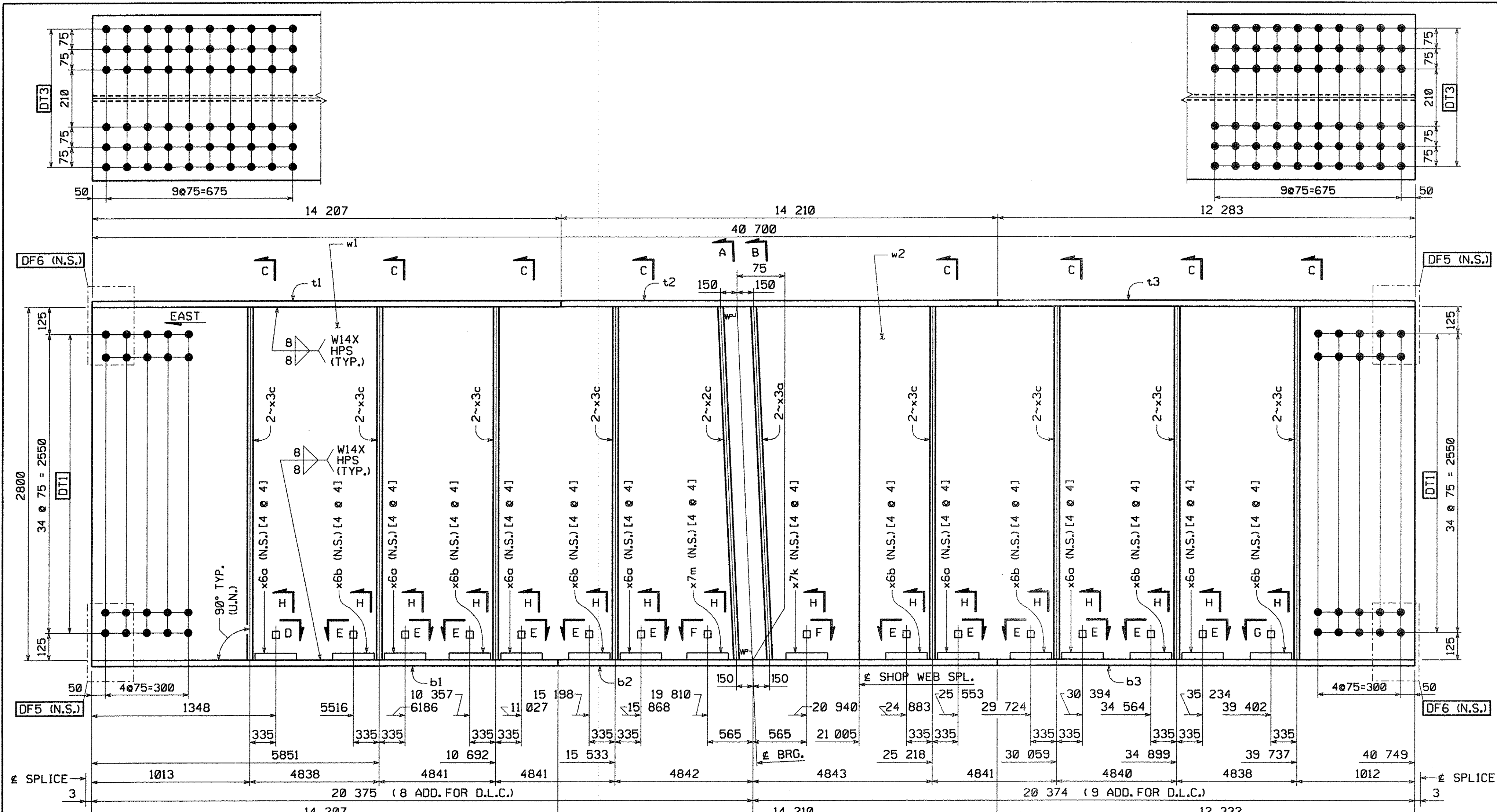


METRIC



GIRDER MK. G5C
 FOR GENERAL SHOP NOTES, SEE DWG. G01 & G02.
 FOR WEB CAMBER DIAGRAM, SEE DWG. WC2.
 FOR HORIZ. CURVE DIAGRAM, SEE DWG. HC1.
 WORK THIS DRAWING WITH DRAWING 17B.

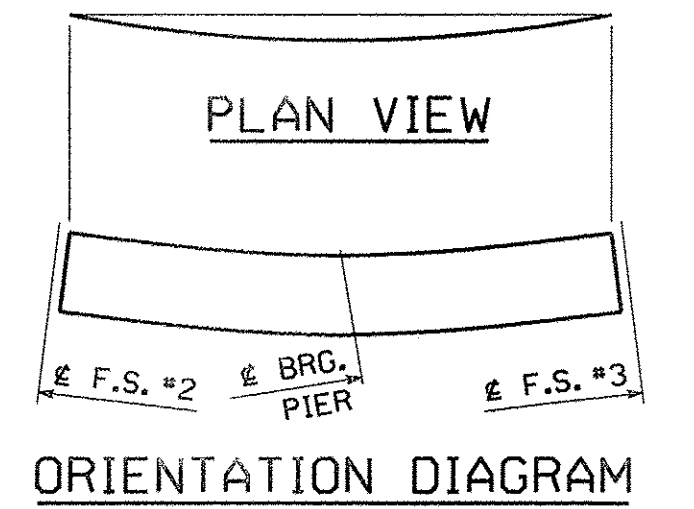
SHOP NOTE:
 [4 @ 4]
 ↑ INDICATES LENGTH OF 7/8" H.S. BOLTS
 ↓ INDICATES NUMBER OF 7/8" H.S. BOLTS

BILL OF MATERIAL												
QTY	MARK	CONV	DESCRIPTION	LENGTH	SPEC	GRADE	TEST	REMARKS	ITEM	GROSS WT. EA.	DED. WEIGHT	NET WT. EA.
1	G5C		GIRDER							47240.09	171.44	47068.65
1	w1	PL	26 x 2800	21 005	M270M	HPS485W	T		03013	12002.48	6.86	11995.62
1	w2	PL	26 x 2800	19 745	M270M	HPS485W	T		03015	11282.51	7.14	11275.37
1	t1	PL	55 x 610	14 207	M270M	HPS485W	T		04011	3741.21	0.00	3741.21
1	t2	PL	55 x 610	14 210	M270M	HPS485W	T		04011	3742.00	0.00	3742.00
1	t3	PL	55 x 610	12 284	M270M	HPS485W	T		04009	3234.81	0.00	3234.81
1	b1	PL	55 x 610	14 207	M270M	HPS485W	T		04011	3741.21	0.00	3741.21
1	b2	PL	55 x 610	14 210	M270M	HPS485W	T		04011	3742.00	0.00	3742.00
1	b3	PL	55 x 610	12 333	M270M	HPS485W	T		04009	3247.72	0.00	3247.72
2	x2c	PL	25.4 x 280	2 801	M270M	345W	T		07001	156.36	0.00	156.36
2	x3a	PL	25.4 x 280	2 801	M270M	345W	T		07001	156.36	0.00	156.36
16	x3c	PL	15.9 x 280	2 800	M270M	345W	T		07006	97.84	9.84	88.00
7	x6a	PL	14.3 x 420	420	M270M	345W	BENT		07003	19.80	0.00	19.80
7	x6b	PL	14.3 x 420	420	M270M	345W	BENT		07003	19.80	0.00	19.80
1	x7k	PL	14.3 x 400	424	M270M	345W	BENT		07003	19.04	0.00	19.04
1	x7m	PL	14.3 x 400	423	M270M	345W	BENT		07003	18.99	0.00	18.99
64	140400	HS Bolt	7/8	0-4	M164 Type 3				17001	0.00	0.00	0.00
64	N14	Nut	7/8		M291	DH3			17004	0.00	0.00	0.00
64	VW14	Std Wash	7/8		M293 Weathering				17006	0.00	0.00	0.00
WEIGHT FOR BID ITEM: 0990 900.635										44 719.95	kgs	
WEIGHT FOR BID ITEM: 0160 506.56										2 348.70	kgs	
TOTAL WEIGHT THIS SHEET:										47 068.65	kgs	

TVGA CONSULTANTS

NO EXCEPTIONS TAKEN REJECTED
 FURNISH AS CORRECTED
 REVISE AND RESUBMIT
 ENGINEER has reviewed Shop Drawings and Samples and other data which Contractor is required to submit, only for conformance with the information given in the Contract Documents and compatibility with the design concept of the completed Project as a functioning whole as indicated in the Contract Documents. Such reviews do not extend to means, methods, techniques, sequences or procedures of construction or to safety precautions and programs incident thereto. Contractor is responsible for dimensions to be confirmed and controlled at the job site for information that pertains solely to the fabrication processes or to techniques of construction, and for coordination of the work of all trades.

BY: *[Signature]*
 DATE: 11/27/07



NO.	REVISION	BY	CHK'D	DATE
GIRDER G5C				
COATING: NONE VT ROUTE 279 OVER FURNACE BROOK VT ROUTE 279 STA. 8+542.000 TO STA. 8+685.000 TOWN OF BENNINGTON VERMONT, BRIDGE B12 STATE OF VERMONT AGENCY OF TRANSPORTATION				
SCALE: N.T.S.		AC NH F019-1(53)		FED. AID PROJ. NO.
GENERAL CONTRACTOR: J.A. McDONALD, INC.		HSSI PROJ. MGR: DEB KUPRES		
SHPMT: 3	DRAWING MANAGER: BRITIGAN (IH)	MADE BY: MAF	CHK'D BY: WBW	DATE: 11/27/07
STATE: VT	HSSI PROJECT NUMBER: S-1070147	HSSI STRUCT. ID: A	DRAWING NUMBER: 17AB OF 34	

PLOTTED: 11/28/2007 12:27:17 PM
 SHIPMENT 01
 DRAWING: 5002818Z
 PROJ: 5002818
 SHIPPER: 5002818