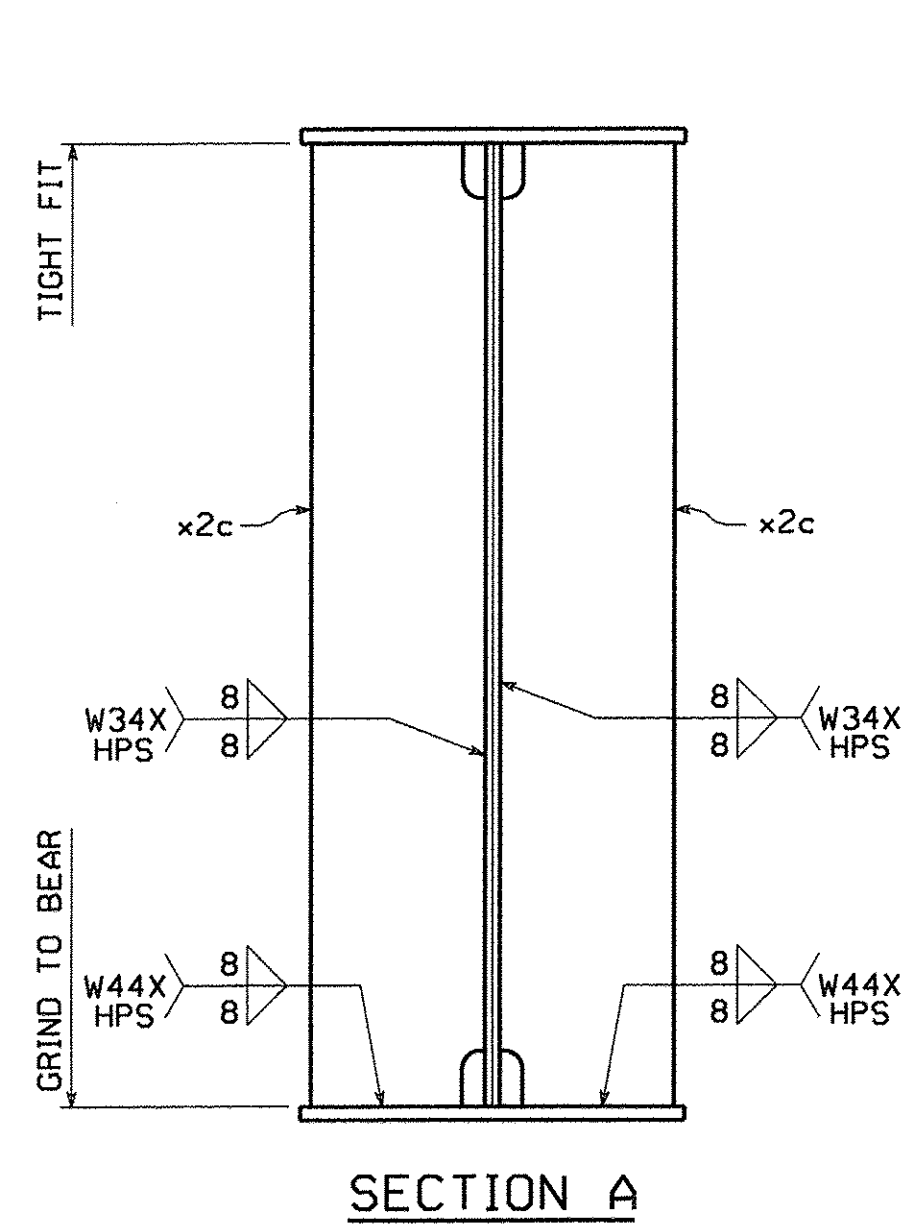
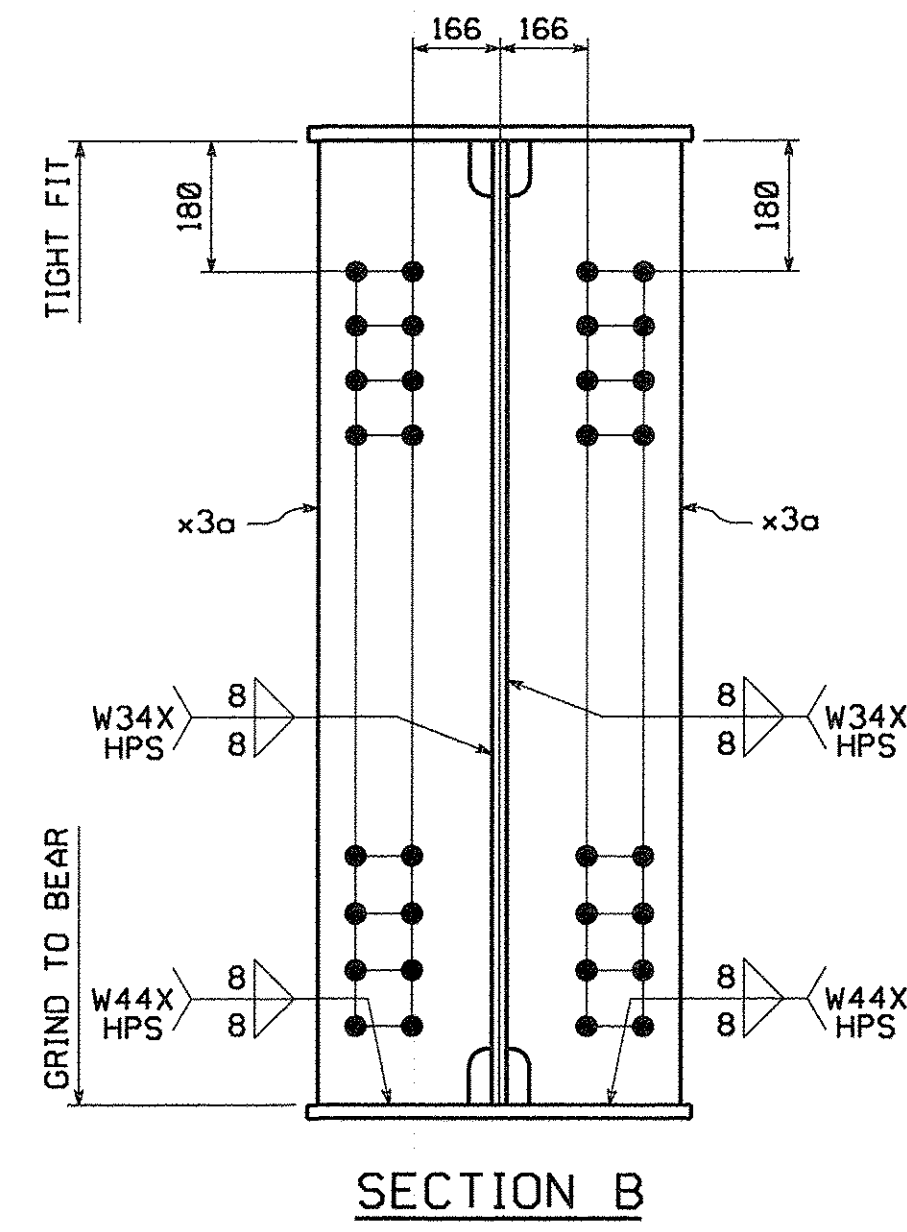


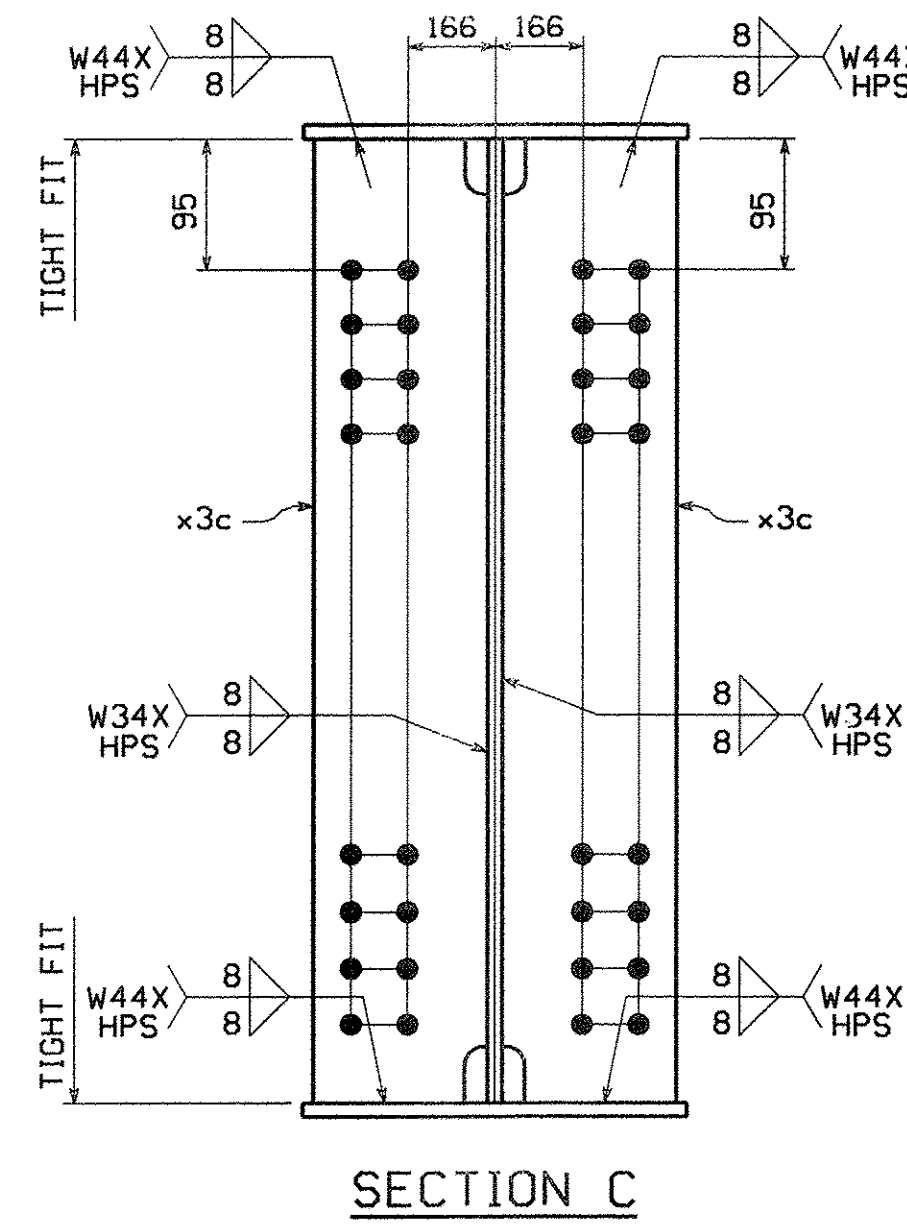
METRIC  
 SHIPMENT 01  
 BY: MKreidat  
 PLOT TECH: 11/30/2007 1:27:06 PM  
 PARKING: 500281Z PROJ: 500281B SHIP/PRECT: 500281B



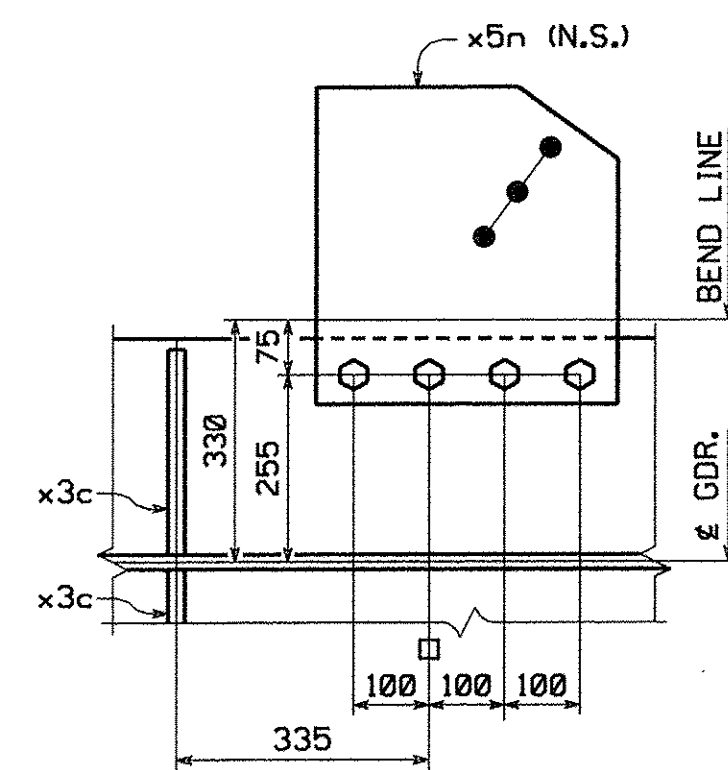
SECTION A



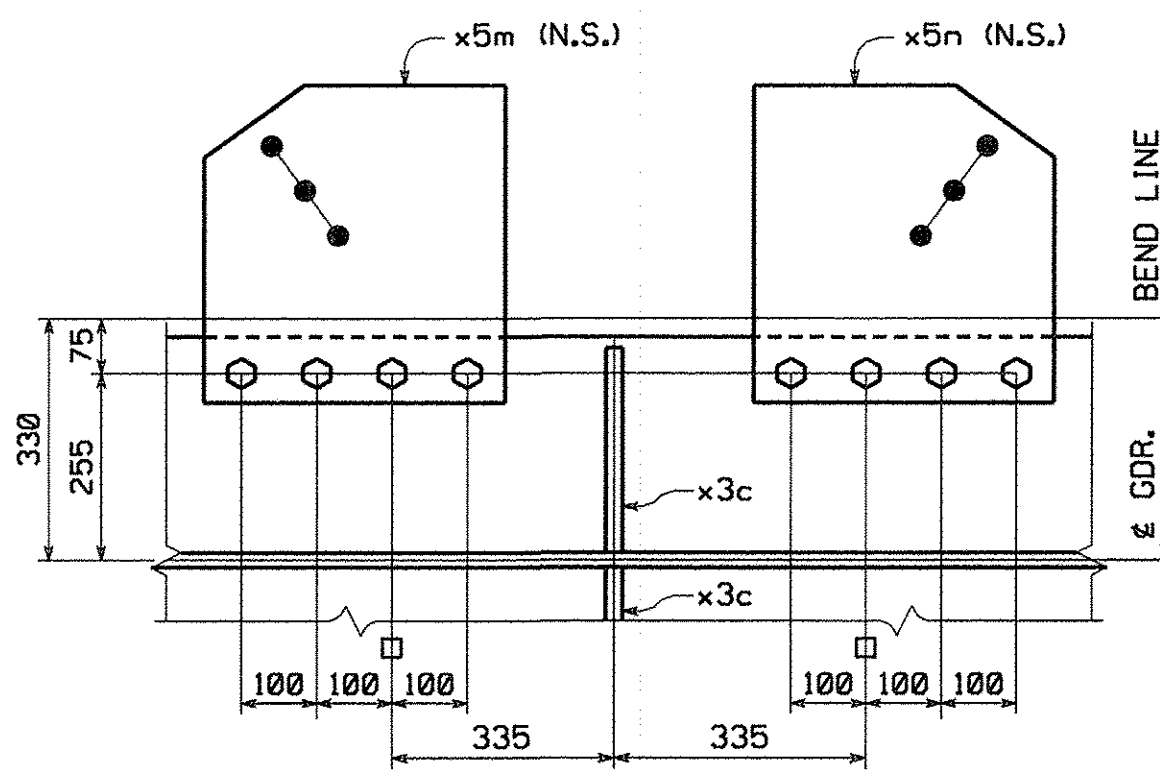
SECTION B



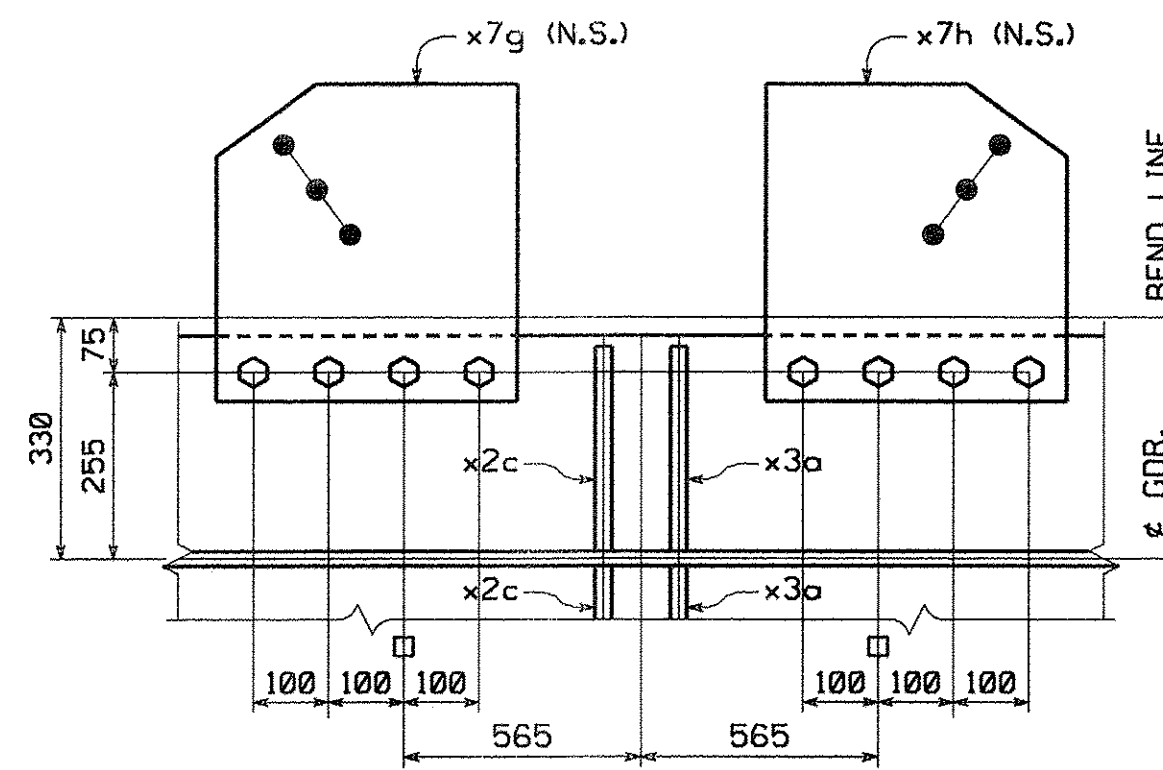
SECTION C



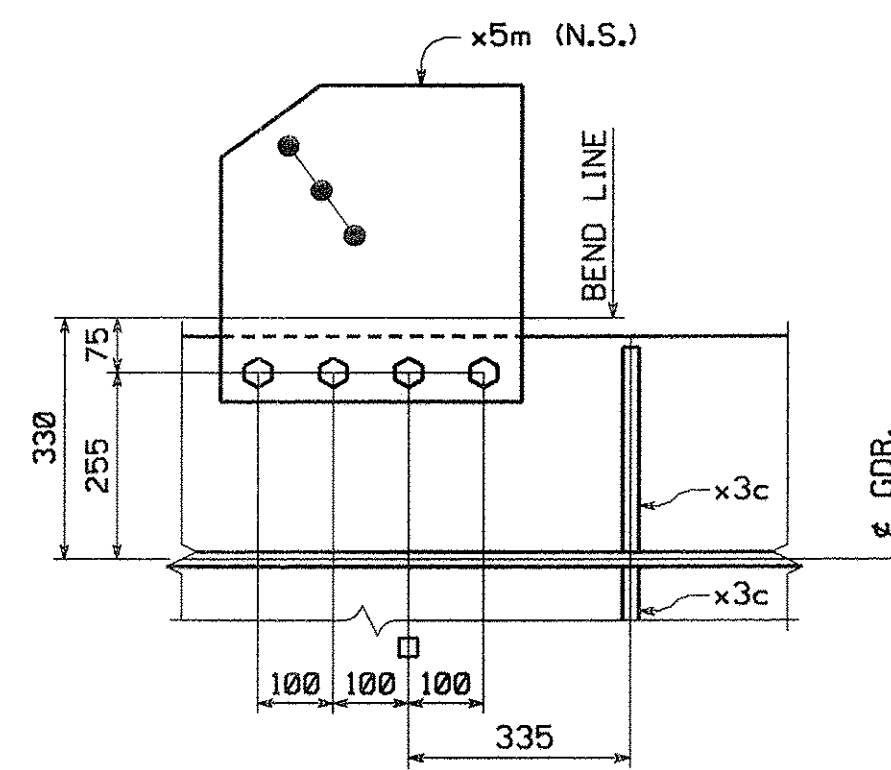
SECTION D



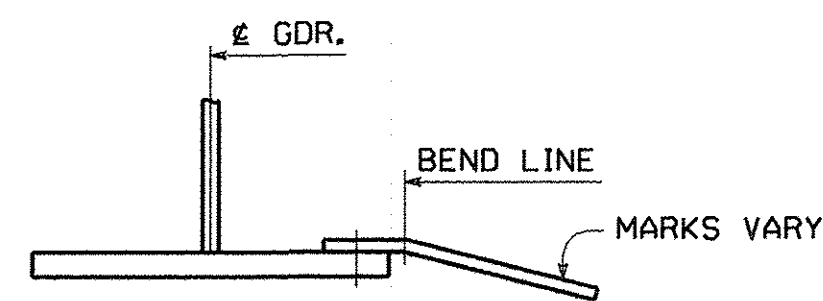
SECTION E-E



SECTION F-F



SECTION G



SECTION H

**TVGA CONSULTANTS**

NO EXCEPTIONS TAKEN  REJECTED  
 FURNISH AS CORRECTED  
 REVISE AND RESUBMIT  
 ENGINEER has reviewed Shop Drawings and Samples and other data which Contractor is required to submit, only for conformance with the information given in the Contract Documents and compatibility with the design concept of the completed Project as a functioning whole as indicated in the Contract Documents. Such reviews do not extend to means, methods, techniques, sequences or procedures of construction or to safety precautions and programs incident thereto. Contractor is responsible for dimensions to be confirmed and correlated at the job site; for information that pertains solely to the fabrication processes or to techniques of construction; and for coordination of the work of all trades.  
 BY: *Al-Jar*  
 DATE: 11/27/07

NO.	REVISION	BY	CHK'D	DATE
<b>GIRDER</b> <span style="float: right;">G4C</span>				
<b>VT ROUTE 279 OVER FURNACE BROOK</b>				
<b>VT ROUTE 279 STA. 8+542.000 TO STA. 8+685.000</b>				
<b>TOWN OF BENNINGTON VERMONT, BRIDGE B12</b>				
<b>STATE OF VERMONT</b>				
<b>AGENCY OF TRANSPORTATION</b>				
SCALE		AC NH F019-1(53)		FED. AID PROJ. NO.
N.T.S.				
GENERAL CONTRACTOR		J.A. McDONALD, INC.		HSSI PROJ. MGR.
				DEB KUPRES
SHPMT	3	DRAWING MANAGER	BRITIGAN (IH)	MADE BY
				MAF
				CHK'D BY
				WBW
				DATE
				11/27/07
STATE	VT	HSSI PROJECT NUMBER	S-1070147	HSSI STRUCT. ID
			A	DRAWING NUMBER
				16B OF 34

**NOTES:**  
 WORK THIS DRAWING WITH DRAWING 16AB.