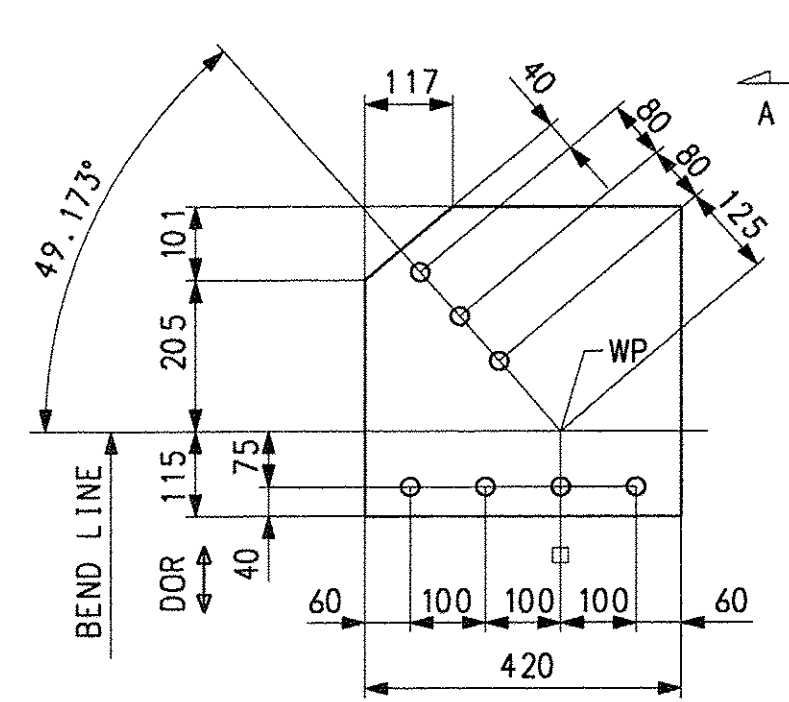
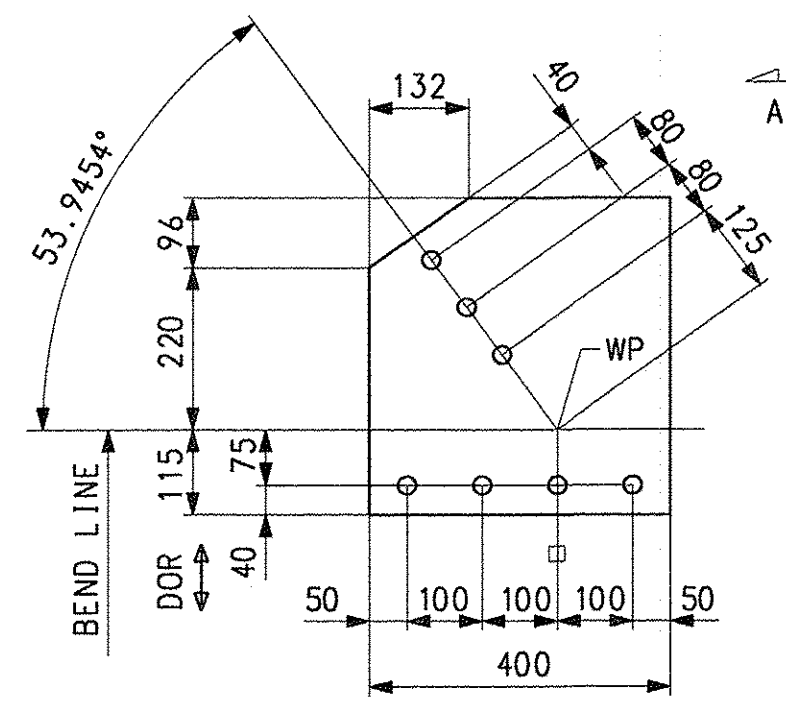


SHIPMENT 1 PMAENGS: 500281Z PRD: 500281B SHIP&RECT: 5002819

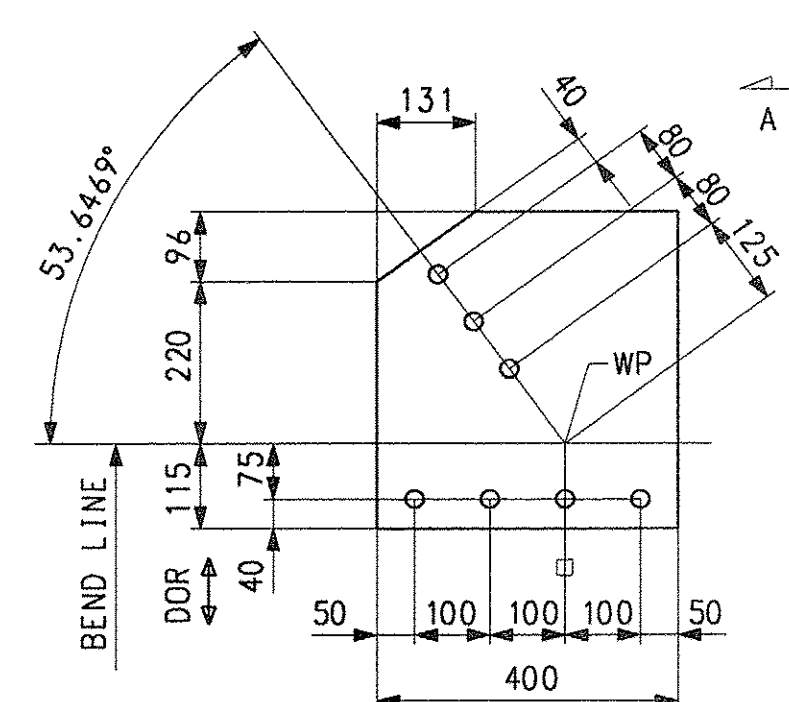
PLOTTED: 11/30/07 12:50:42 BY: MKReidel



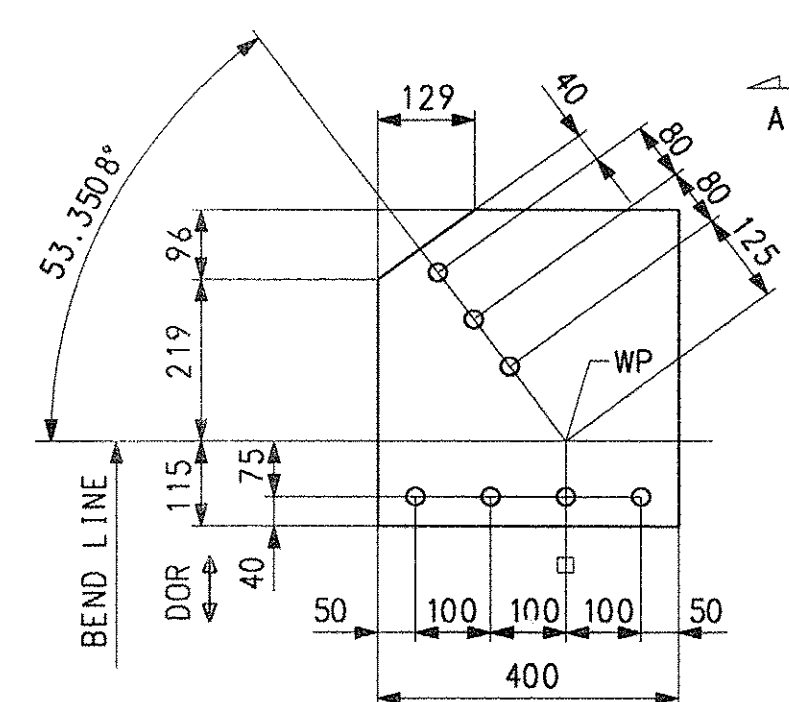
BENT GUSSET PLATE MK.x8a
(DEVELOPED)



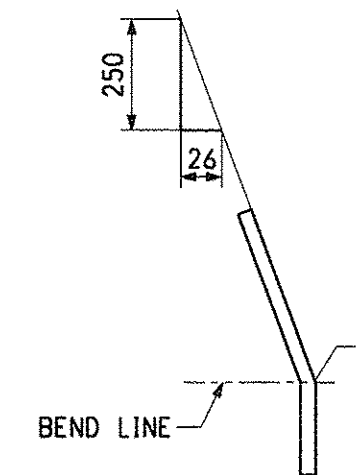
BENT GUSSET PLATE MK.x8b
(DEVELOPED)



BENT GUSSET PLATE MK.x8c
(DEVELOPED)



BENT GUSSET PLATE MK.x8d
(DEVELOPED)



SECTION A

NOTE:

ALL MATERIAL ON THIS DRAWING TO BE CORNER GROUND.
FOR GENERAL SHOP NOTES, SEE DRAWING GN1.

BILL OF MATERIAL

EST. ID	QTY	MARK	COMM.	DESCRIPTION	LENGTH	SPEC	GRADE	TEST	REMARKS	ITEM	GROSS WEIGHT EA.	DEDUCTED WEIGHT EA.	NET WEIGHT EA.
LB2	1	x8a	PL	14.3 x 420	421	M270M	345W		BENT	07003	19.847	0	19.8465
LB2	1	x8b	PL	14.3 x 400	431	M270M	345W		BENT	07003	19.35	0	19.3504
LB2	1	x8c	PL	14.3 x 400	431	M270M	345W		BENT	07003	19.35	0	19.3504
LB2	1	x8d	PL	14.3 x 400	430	M270M	345W		BENT	07003	19.306	0	19.3055

TVGA CONSULTANTS

NO EXCEPTIONS TAKEN REJECTED
 FURNISH AS CORRECTED
 REVISE AND RESUBMIT

ENGINEER has reviewed Shop Drawings and Samples and other data which Contractor is required to submit, only for conformance with the information given in the Contract Documents and compatibility with the design concept of the completed Project as a functioning whole as indicated in the Contract Documents. Such reviews do not extend to means, methods, techniques, sequences or procedures of construction or to safety precautions and programs incident thereto. Contractor is responsible for dimensions to be confirmed and correlated at the job site; for information that pertains solely to the fabrication processes or to techniques of construction; and for coordination of the work of all trades.

BY: *[Signature]*
DATE: *11/26/07*

NO.	REVISION	BY	CHK'D	DATE
GIRDER JOB STANDARDS VT ROUTE 279 OVER FURNACE BROOK VT ROUTE 279 STA. 8+542.000 TO STA. 8+685.000 TOWN OF BENNINGTON VERMONT, BRIDGE B12 STATE OF VERMONT AGENCY OF TRANSPORTATION				
SCALE	STATE CONT. OR REF. NO.	AC NH F019-1(53)	FED. AID PROJ. NO.	
N.T.S.	GENERAL CONTRACTOR	J. A. McDONALD, INC.	HSSI PROJ. MGR.	DEB KUPRES
SHFMT	DRAWING MANAGER	BRITIGAN (IH)	MADE BY	KLW
STATE	HSSI PROJECT NUMBER	VT	HSSI STRUCT. ID	A
	DRAWING NUMBER		CHK'D BY	CS
			DATE	11/26/07
				X8 OF X8