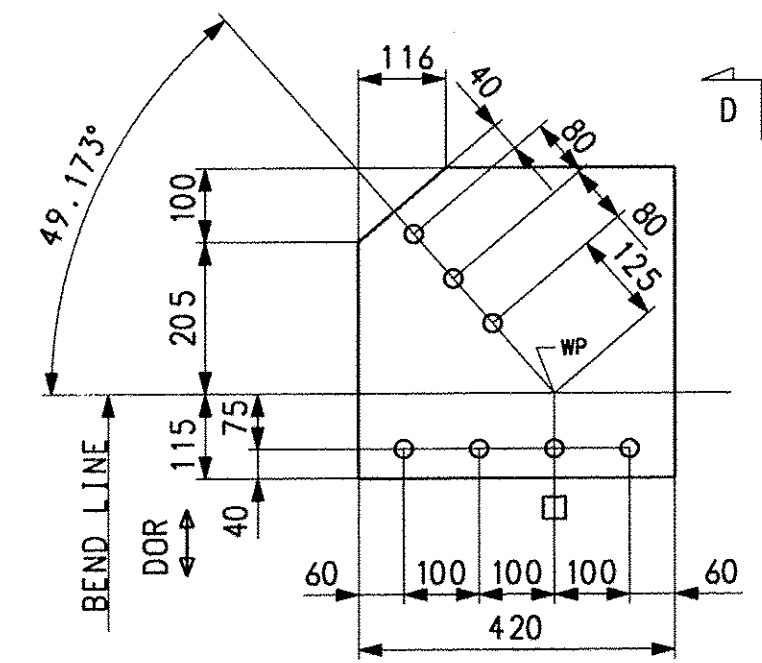
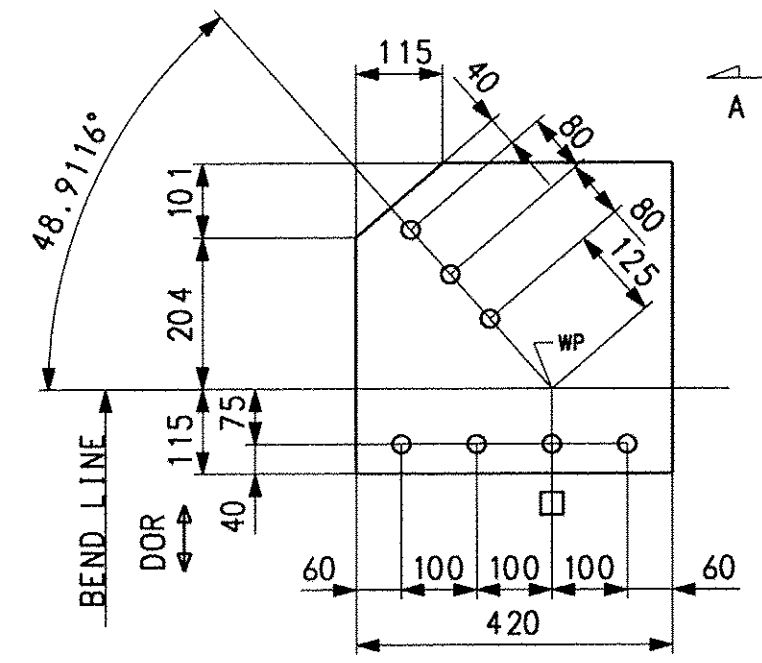


PROJ: XXXXXXXX SHIPRECT: XXXXXXXX  
 PMENG: XXXXXXXX  
 SHIPMENT 1

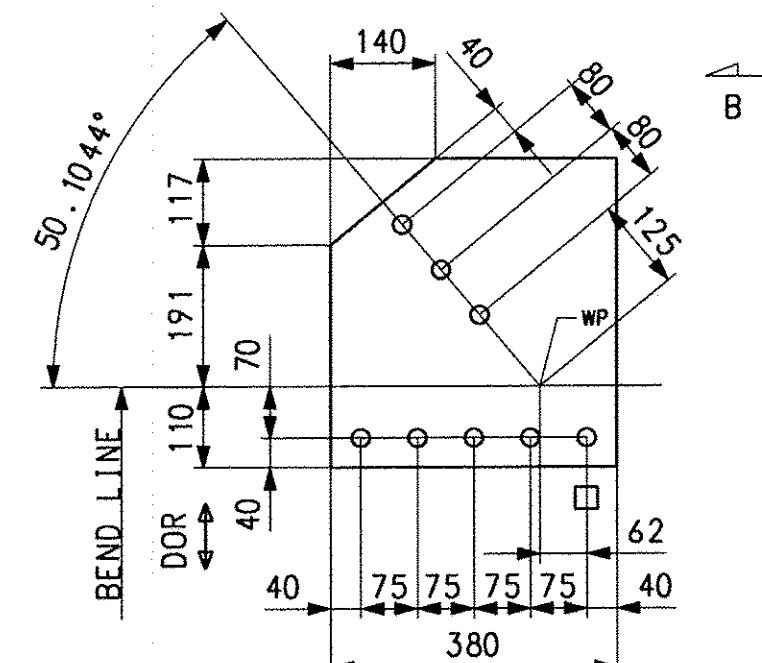
BY: S. Clarendon  
 PLOTTED: 07/03/08 08:40:15



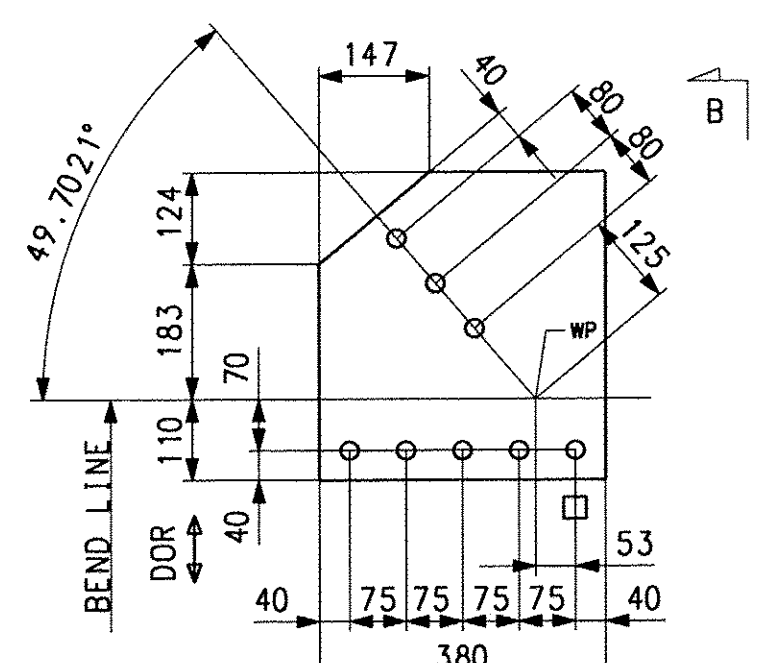
BENT GUSSET PLATE MK.x6a  
(DEVELOPED)



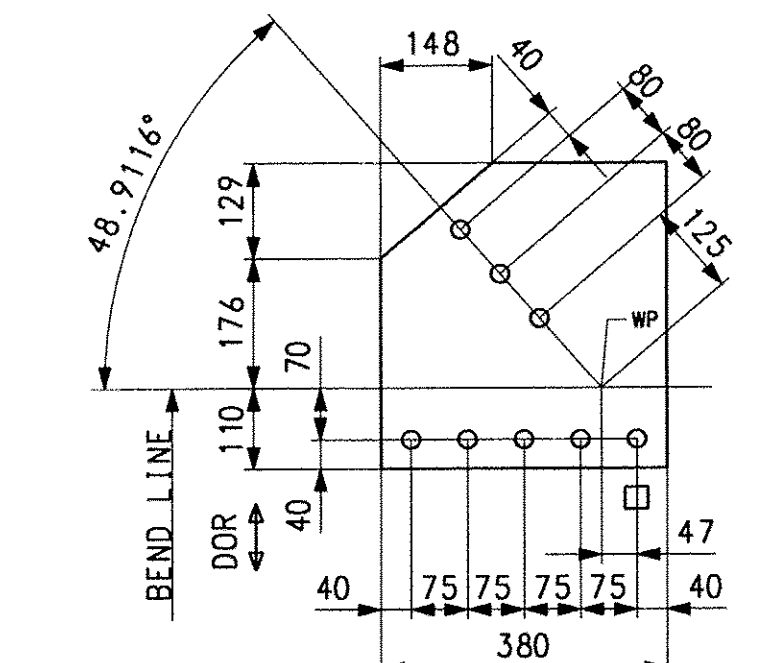
BENT GUSSET PLATE MK.x6b  
(DEVELOPED)



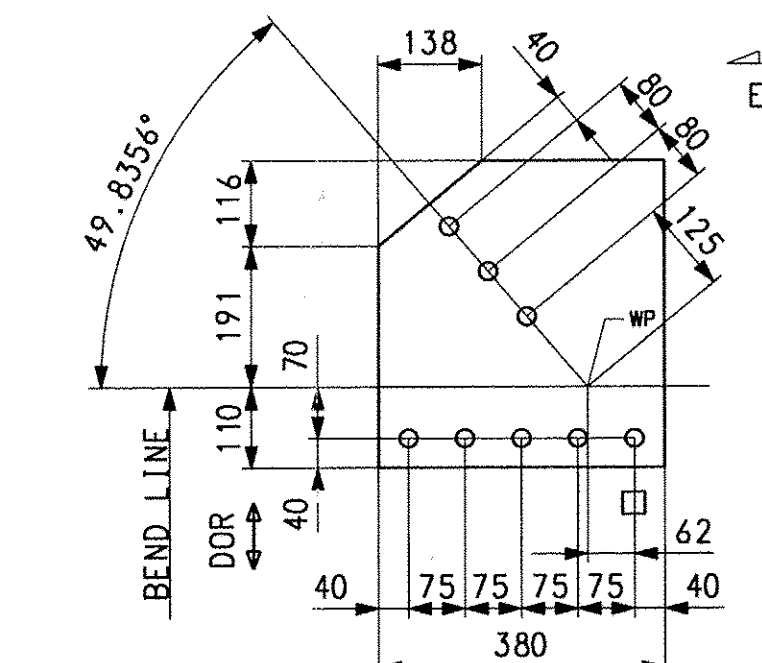
BENT GUSSET PLATE MK.x6c  
(DEVELOPED)



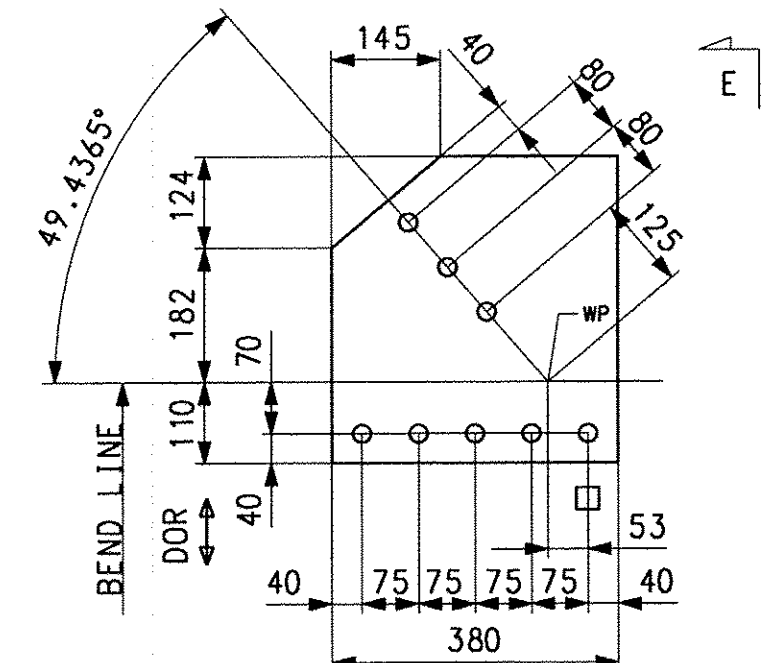
BENT GUSSET PLATE MK.x6d  
(DEVELOPED)



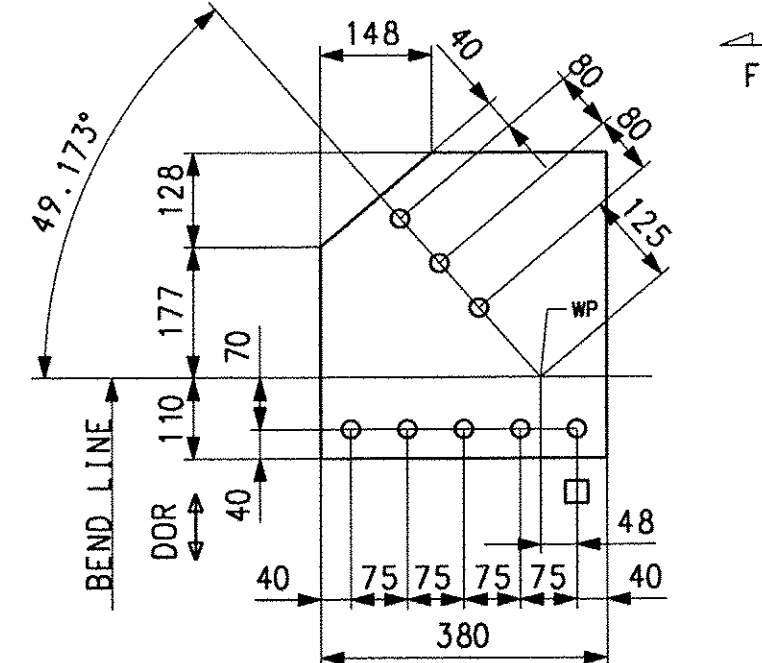
BENT GUSSET PLATE MK.x6f  
(DEVELOPED)



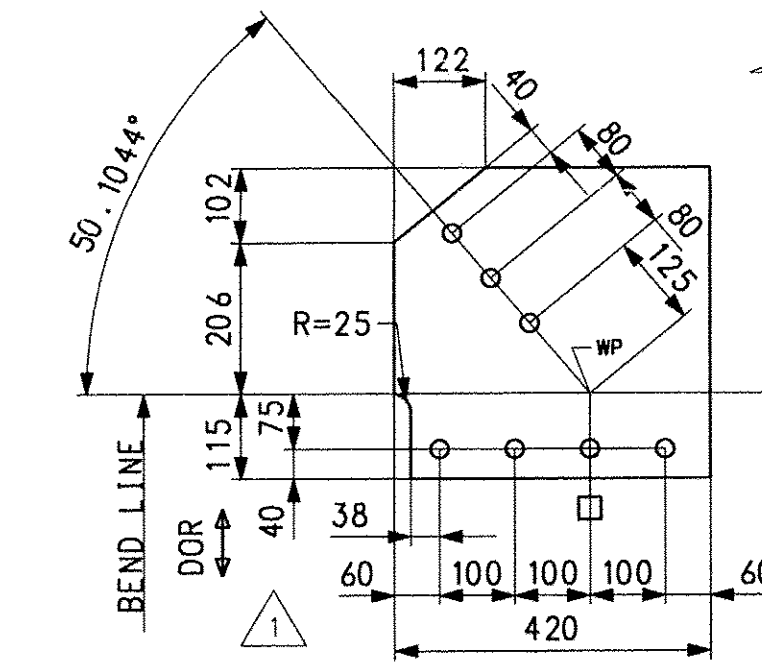
BENT GUSSET PLATE MK.x6g  
(DEVELOPED)



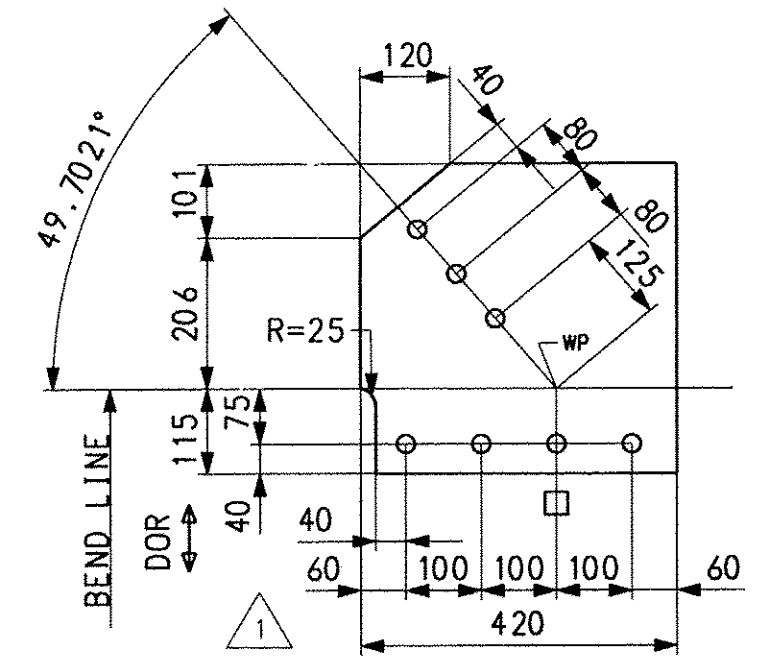
BENT GUSSET PLATE MK.x6h  
(DEVELOPED)



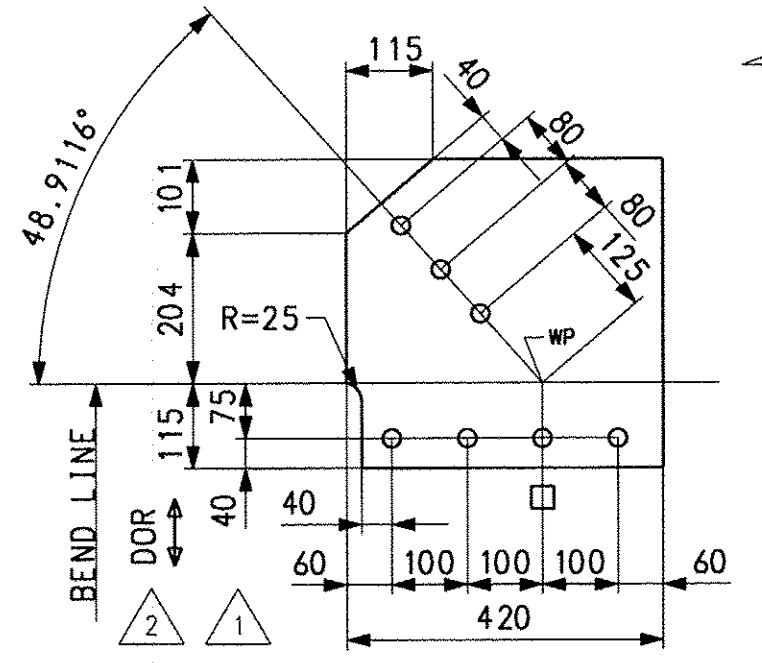
BENT GUSSET PLATE MK.x6k  
(DEVELOPED)



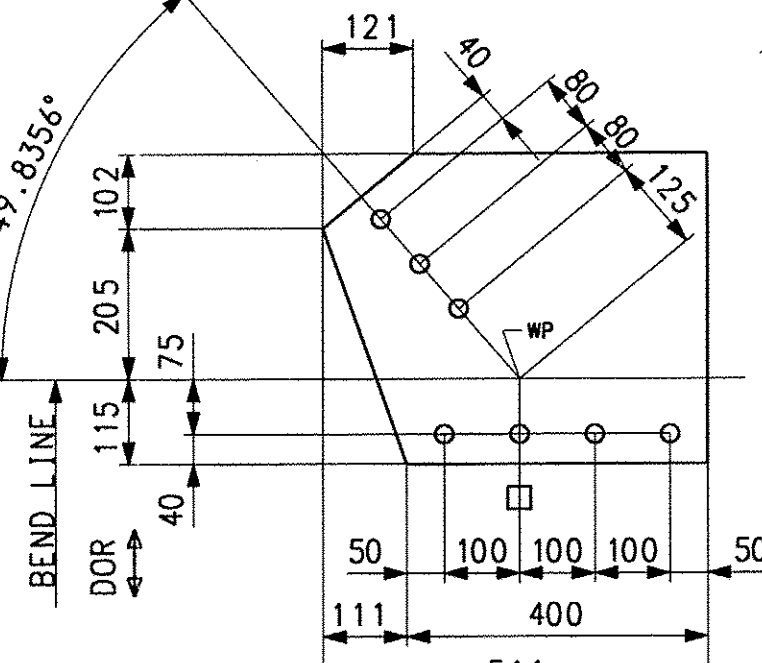
BENT GUSSET PLATE MK.x6m  
(DEVELOPED)



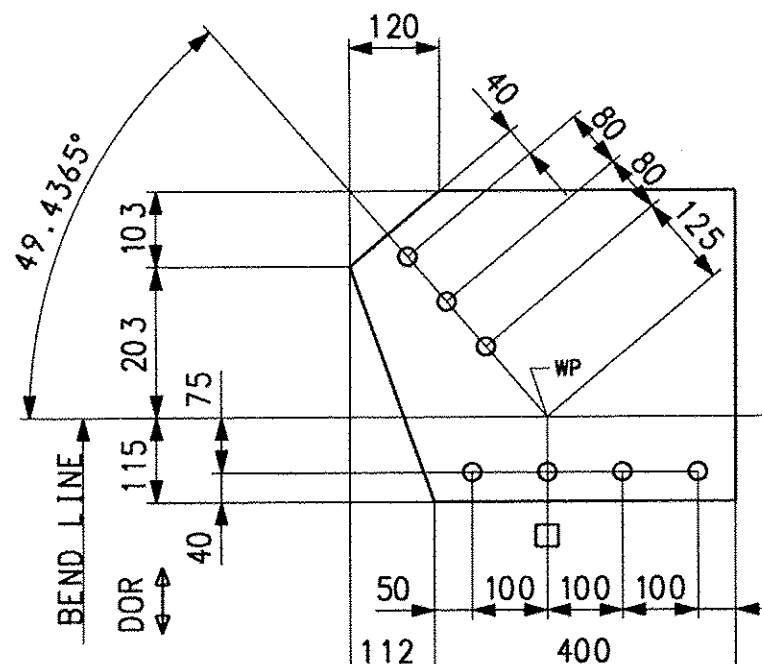
BENT GUSSET PLATE MK.x6n  
(DEVELOPED)



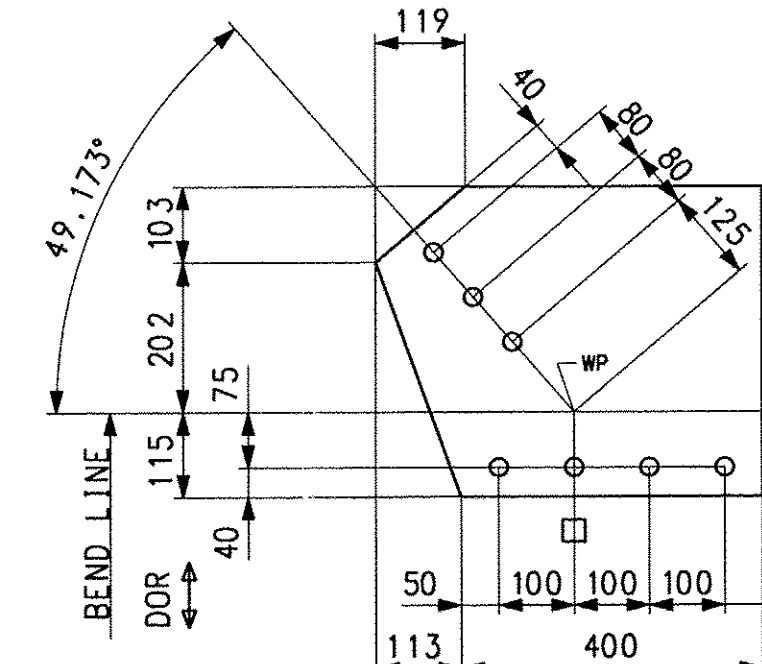
BENT GUSSET PLATE MK.x6p  
(DEVELOPED)



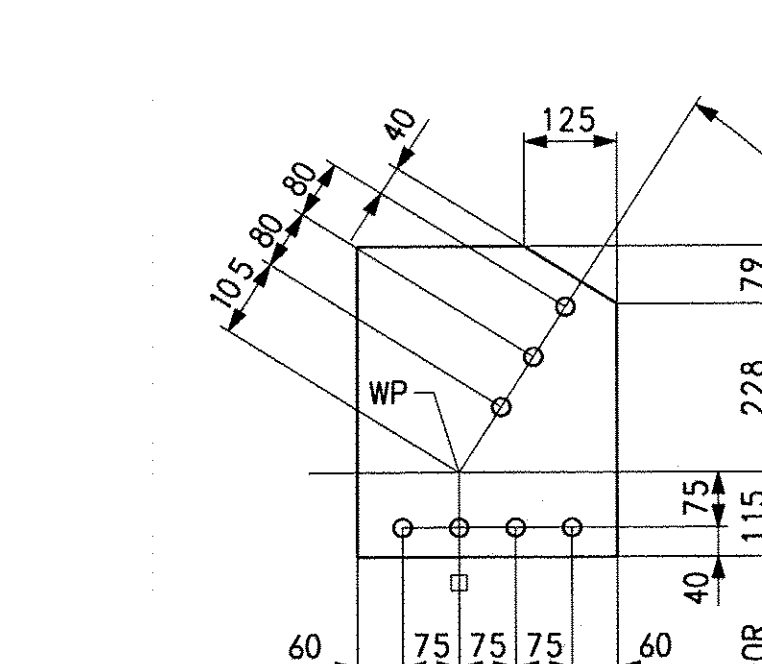
BENT GUSSET PLATE MK.x6s  
(DEVELOPED)



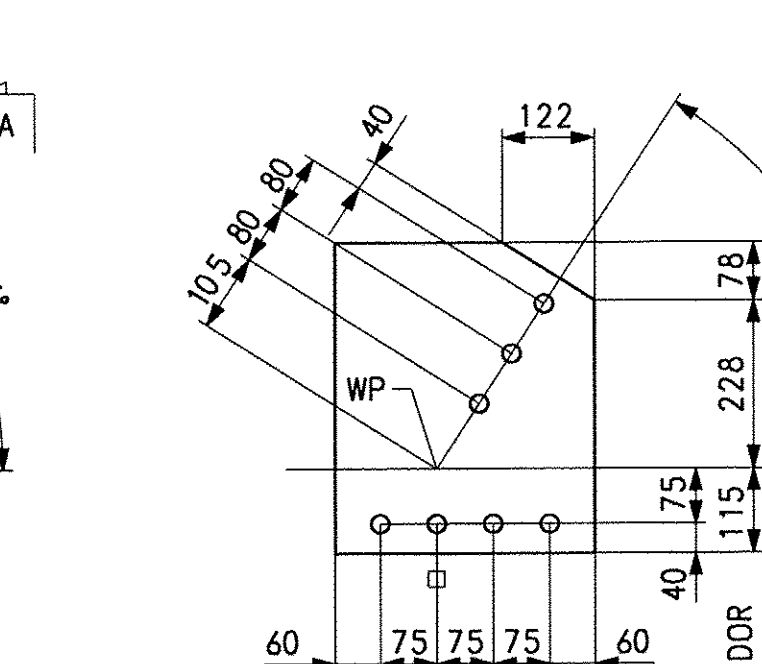
BENT GUSSET PLATE MK.x6t  
(DEVELOPED)



BENT GUSSET PLATE MK.x6w  
(DEVELOPED)



BENT GUSSET PLATE MK.x6y (CG)  
(DEVELOPED)



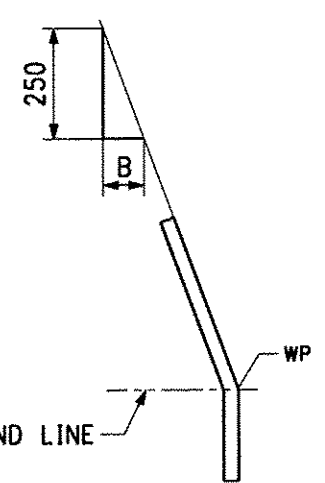
BENT GUSSET PLATE MK.x6q (CG)  
(DEVELOPED)

NOTE:  
 FOR GENERAL SHOP NOTES, SEE DRAWING GN1.



SECTIONS A, B & C

SECT.	A
A	24
B	28
C	23



SECTIONS D, E & F

SECT.	B
D	26
E	28
F	23

BILL OF MATERIAL

EST. ID	QTY	MARK	COMM.	DESCRIPTION	LENGTH	SPEC	GRADE	TEST	REMARKS	ITEM	GROSS WEIGHT EA.	DEDUCTED WEIGHT EA.	NET WEIGHT EA.
LB2	24	x6a	PL	14.3 x 420	420	M270M	345W		BENT	07003	19.7994	0	19.799
LB2	24	x6b	PL	14.3 x 420	420	M270M	345W		BENT	07003	19.7994	0	19.799
LB2	1	x6c	PL	14.3 x 380	418	M270M	345W		BENT (B.T.S.)	07003	17.8284	0	17.828
LB2	1	x6d	PL	14.3 x 380	417	M270M	345W		BENT (B.T.S.)	07003	17.7858	0	17.786
LB2	1	x6e	PL	14.3 x 380	415	M270M	345W		BENT (B.T.S.)	07003	17.7005	0	17.7
LB2	1	x6g	PL	14.3 x 380	417	M270M	345W		BENT (B.T.S.)	07003	17.7858	0	17.786
LB2	1	x6h	PL	14.3 x 380	416	M270M	345W		BENT (B.T.S.)	07003	17.7431	0	17.743
LB2	1	x6i	PL	14.3 x 380	415	M270M	345W		BENT (B.T.S.)	07003	17.7005	0	17.7
LB2	1	x6m	PL	14.3 x 420	423	M270M	345W		BENT	07003	19.9408	0	19.941
LB2	1	x6n	PL	14.3 x 420	422	M270M	345W		BENT	07003	19.8937	0	19.894
LB2	1	x6p	PL	14.3 x 420	420	M270M	345W		BENT	07003	19.7994	0	19.799
LB2	1	x6s	PL	14.3 x 511	422	M270M	345W		BENT	07003	24.204	0	24.204
LB2	1	x6t	PL	14.3 x 512	421	M270M	345W		BENT	07003	24.1939	0	24.194
LB2	1	x6w	PL	14.3 x 513	420	M270M	345W		BENT	07003	24.1835	0	24.184
LB1	2	x6y	PL	14.3 x 345	422	M270M	345W		BENT	07003	16.3412	0	16.341
LB1	1	x6q	PL	14.3 x 345	421	M270M	345W		BENT	07003	16.3025	0	16.303

TVGA CONSULTANTS

NO EXCEPTIONS TAKEN [ ] REJECTED  
 [ ] FURNISH AS CORRECTED  
 [ ] REVISE AND RESUBMIT  
 ENGINEER has reviewed Shop Drawings and Samples and either notes which Contractor is required to submit, 90% for compliance with the information given in the Contract Documents and compliance with the design concept of the Contract Documents. Such review does not extend to means, methods, techniques, sequences or procedures of execution or to safety precautions and provisions, workmanship, materials, equipment or products of materials. Shop reviews do not constitute any form of certification or accreditation. Contractor is responsible for dimensions to be provided and specified at the job site, for information that pertains solely to the fabrication process or to techniques of construction and for coordination of the work of all trades.  
 BY: [Signature]  
 DATE: 7/1/08

REVISION	SSL	MGR	7-3-08
REVISION	SSL	CS	5-29-08
NO.	REVISION	BY	CHK'D DATE
HOLES	15/16" Ø		
BOLTS	NONE		
COATING	NONE		
CODE(S)	30		
SCALE	N.T.S.		
STATE	VT		
DRAWING NUMBER	S-1070147	STRUCT. ID	A
DRAWING NUMBER	X6 OF X8		



VT ROUTE 279 OVER FURNACE BROOK  
 VT ROUTE 279 STA. 8+542.000 TO STA. 8+685.000  
 TOWN OF BENNINGTON VERMONT, BRIDGE B12  
 STATE OF VERMONT  
 AGENCY OF TRANSPORTATION

STATE CONT. OR REF. NO. AC NH F019-1153  
 GENERAL CONTRACTOR J.A. McDONALD, INC.  
 HSSI PROJ. MGR DEB KUPRES

DRAWING MANAGER BRITIGAN (IH) MADE BY KLV  
 HSSI PROJECT NUMBER S-1070147 HSSI STRUCT. ID A DRAWING NUMBER X6 OF X8

RECEIVED  
 JUL 16 2008