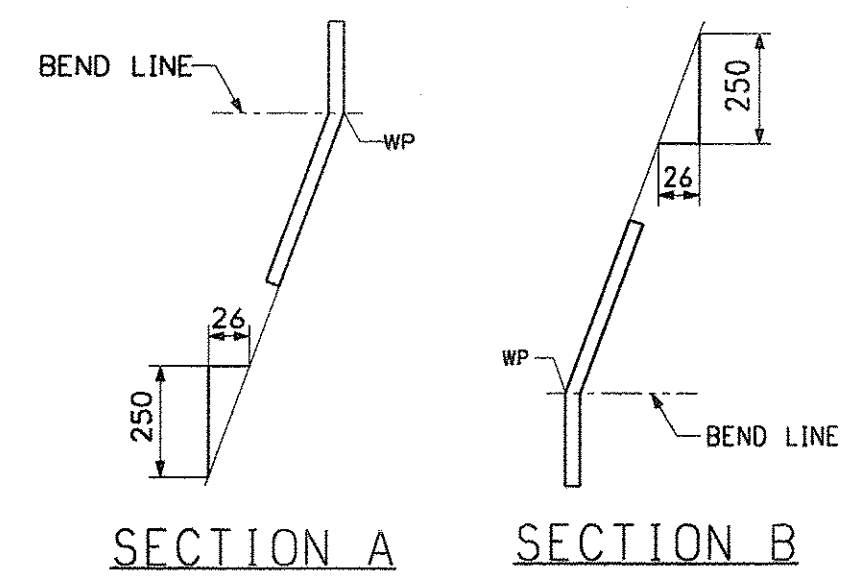
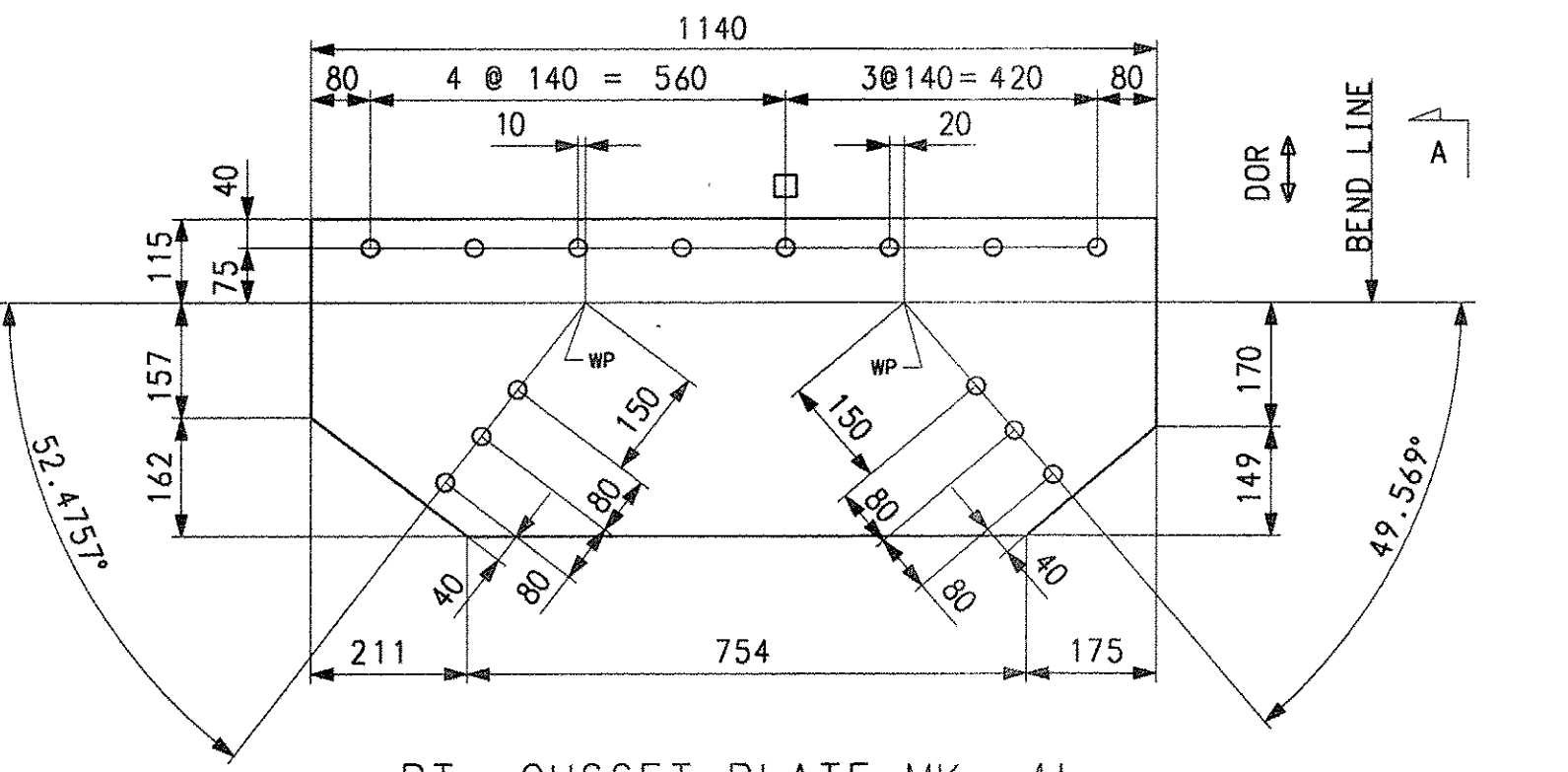
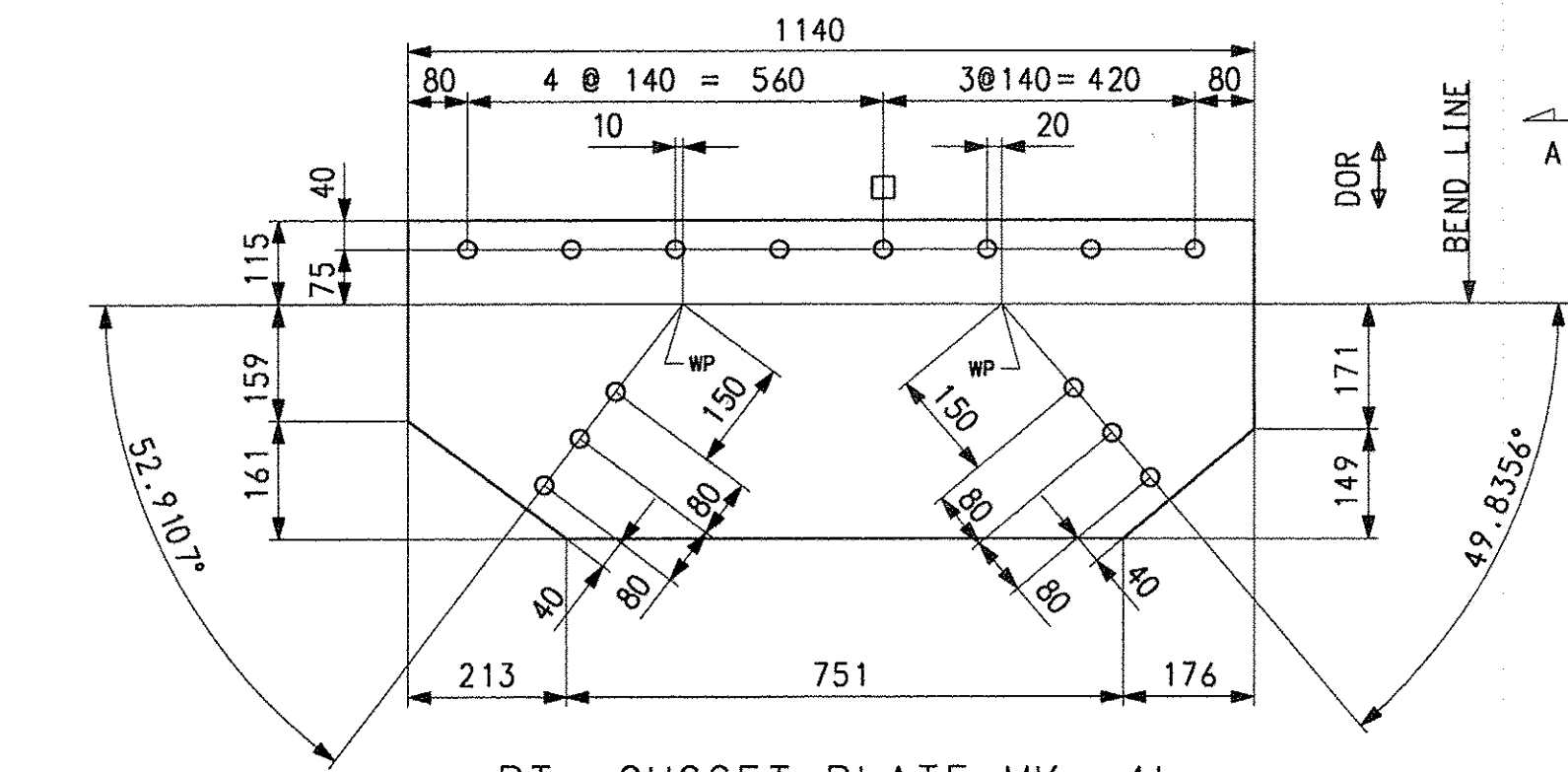
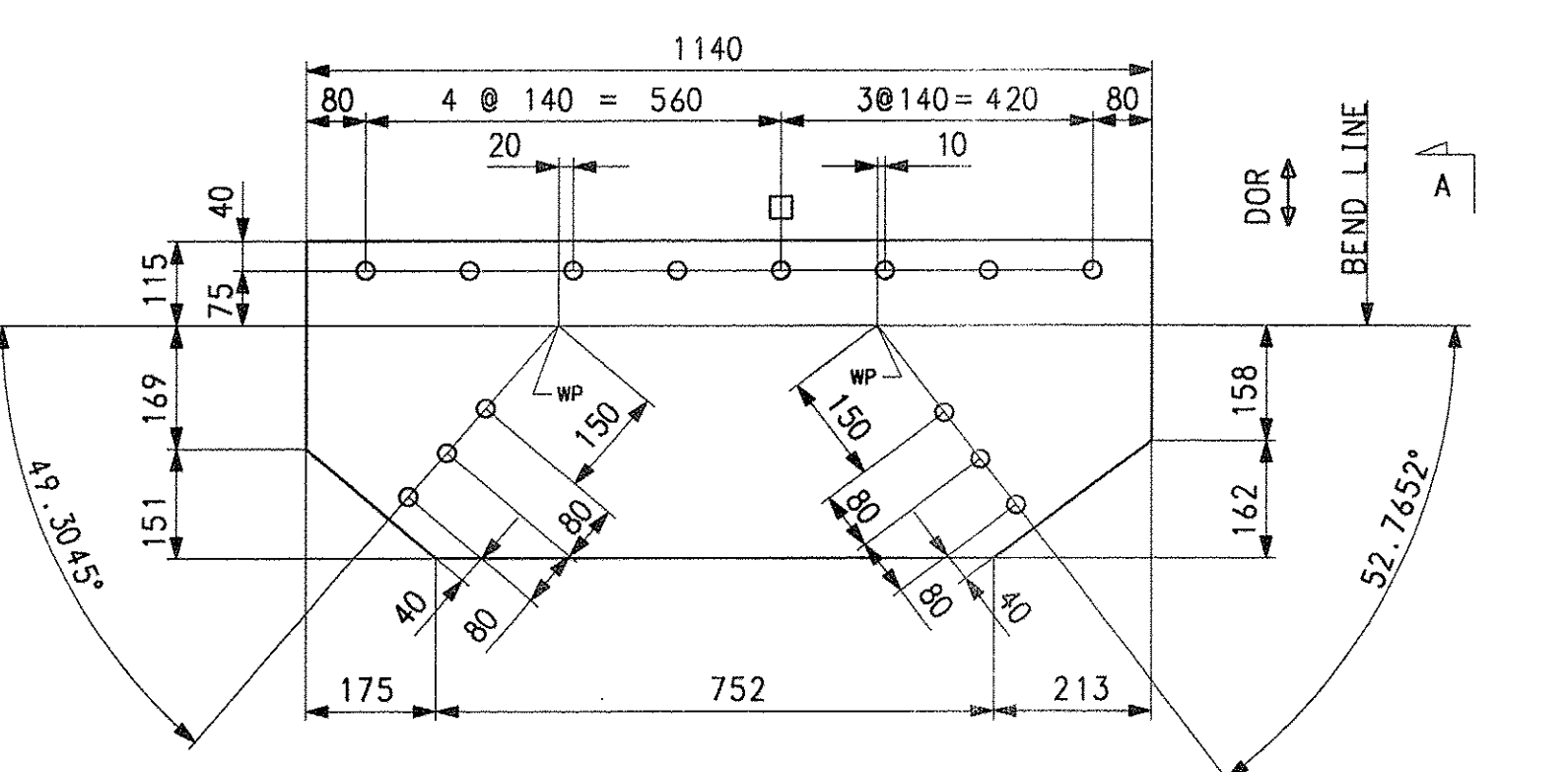
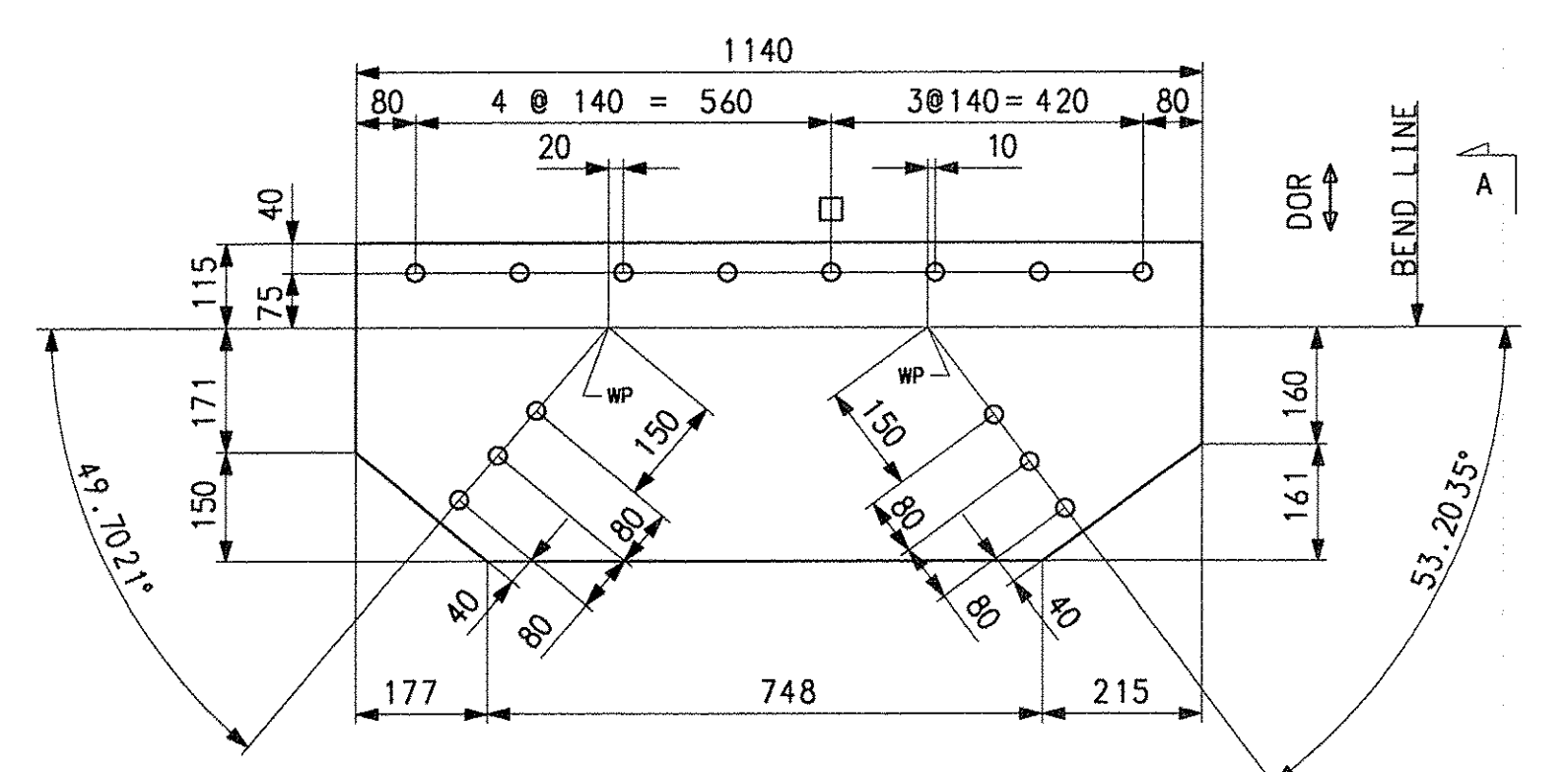
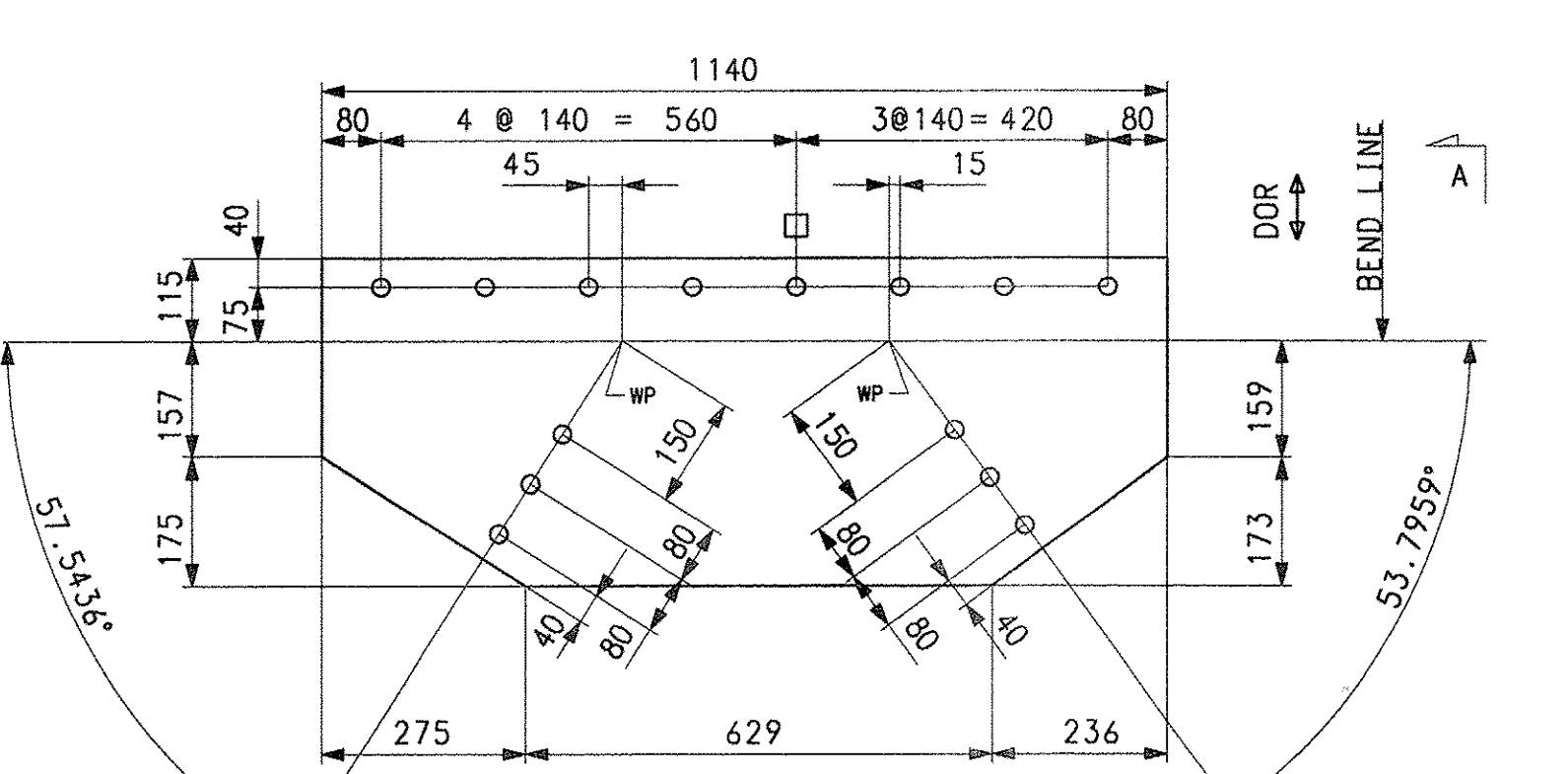
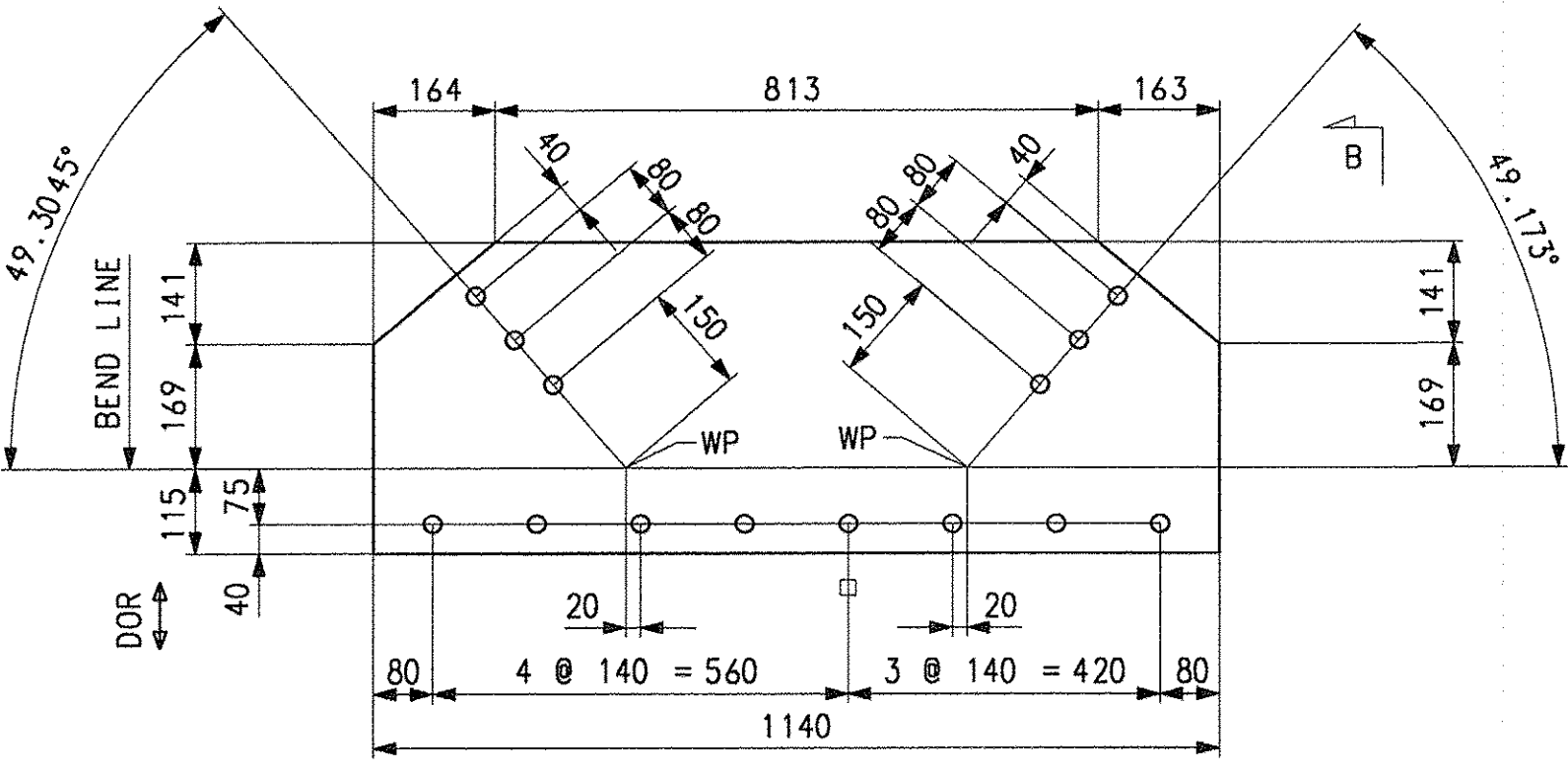
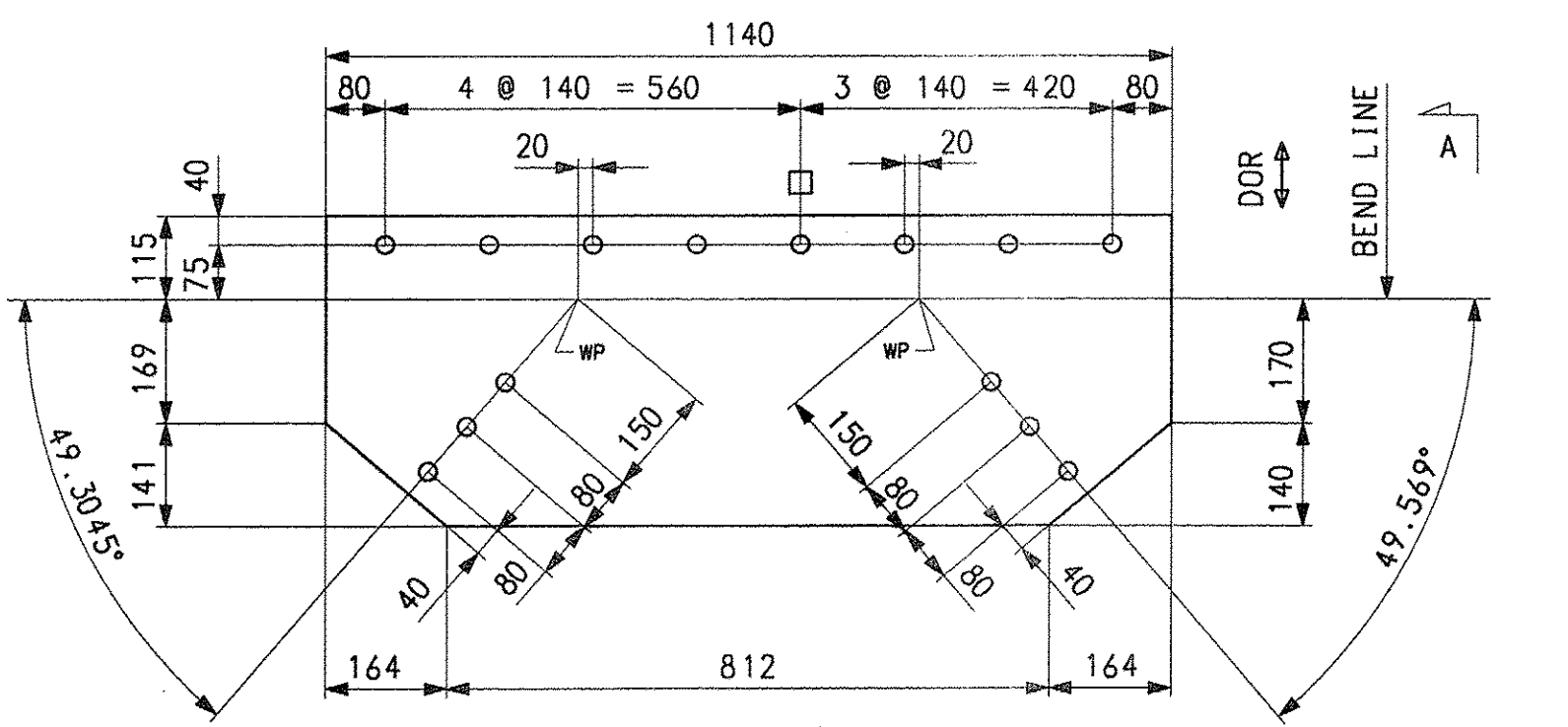
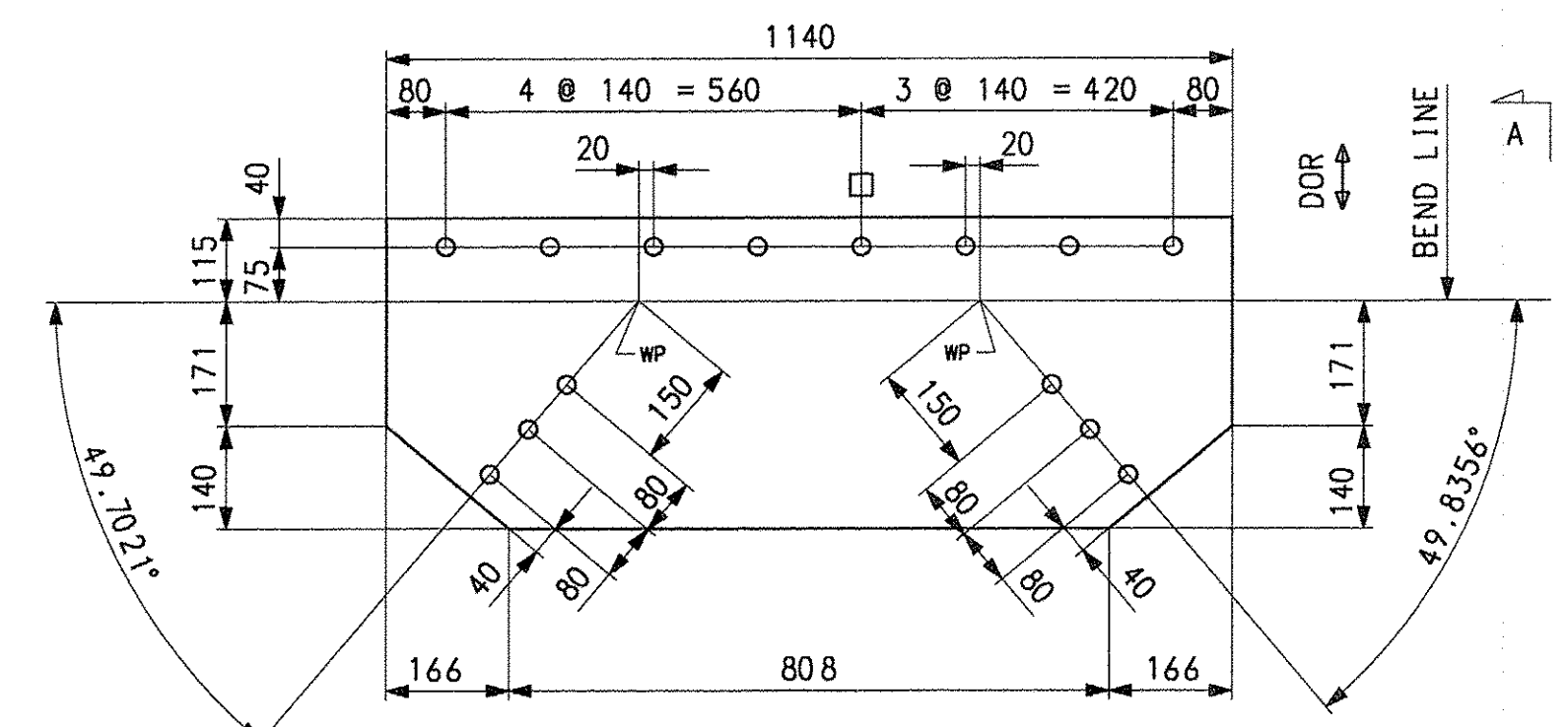


SHIPMENT 1 PAKEN6: 500281Z PRO: 500281B SHIPPERECT: 5002819

PLOTTED: 11/30/07 13:28:45 BY: MKreidel



NOTE:
FOR GENERAL SHOP NOTES, SEE DRAWING GN1.

BILL OF MATERIAL

EST. ID	QTY	MARK	COMM.	DESCRIPTION	LENGTH	SPEC	GRADE	TEST	REMARKS	ITEM	GROSS WEIGHT EA.	DEDUCTED WEIGHT EA.	NET WEIGHT EA.
LB2	26	x4c	PL	14.3 x 1140	426	M270M	345W		BENT	07003	54.509	0	54.5089
LB2	26	x4b	PL	14.3 x 1140	425	M270M	345W		BENT	07003	54.381	0	54.381
LB2	26	x4c	PL	14.3 x 1140	425	M270M	345W		BENT	07003	54.381	0	54.381
LB2	2	x4d	PL	14.3 x 1140	447	M270M	345W		BENT	07003	57.196	0	57.196
LB2	1	x4f	PL	14.3 x 1140	436	M270M	345W		BENT	07003	55.788	0	55.7885
LB2	1	x4g	PL	14.3 x 1140	435	M270M	345W		BENT	07003	55.661	0	55.6605
LB2	1	x4h	PL	14.3 x 1140	435	M270M	345W		BENT	07003	55.661	0	55.6605
LB2	1	x4k	PL	14.3 x 1140	434	M270M	345W		BENT	07003	55.533	0	55.5326

TVGA CONSULTANTS

NO EXCEPTIONS TAKEN REJECTED
 FURNISH AS CORRECTED
 REVISE AND RESUBMIT
 ENGINEER has reviewed Shop Drawings and Samples and other data which Contractor is required to submit, only for conformance with the information given in the Contract Documents and compatibility with the design concept of the completed Project as a functioning whole as indicated in the Contract Documents. Such reviews do not extend to means, methods, techniques, sequences or procedures of construction or to safety precautions and programs incident thereto. Contractor is responsible for dimensions to be confirmed and correlated at the job site for information that pertains solely to the fabrication processes or to techniques of construction, and/or coordination of the work of all trades.
 BY: *[Signature]*
 DATE: 11/26/07

NO.	REVISION	BY	CHK'D	DATE

HOLES 15/16" Ø	<p>HIGH STEEL STRUCTURES INC. An Affiliate of High Industries Inc. 1815 Old Philadelphia Pike Lancaster, PA 17605-0008 Phone (717) 299-5211 www.highsteel.com</p>			
BOLTS NONE				
COATING NONE				
CODE(S) 30				
SCALE N.T.S.	STATE CONT. OR REF. NO. AC NH F019-1(53)	FED. AID PROJ. NO.		
GENERAL CONTRACTOR BRITIGAN (IH)	J. A. McDONALD, INC.	HSS1 PROJ. MGR DEB KUPRES		
SHIPMT 3	DRAWING NUMBER S-1070 147	MADE BY KLW	CHK'D BY CS	DATE 11/26/07
STATE VT	HSS1 PROJECT ID A	DRAWING NUMBER X4 OF X8		