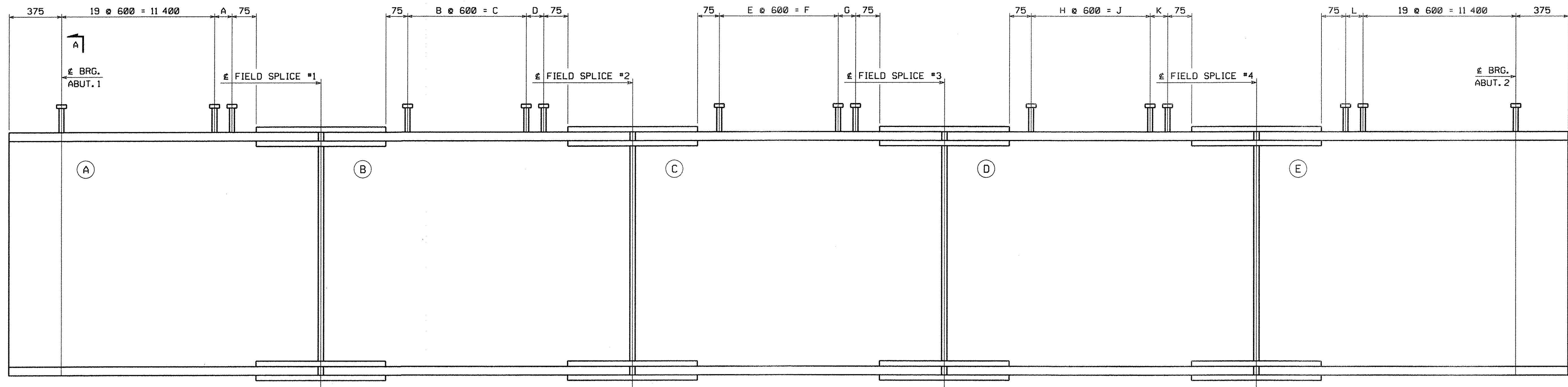


METRIC

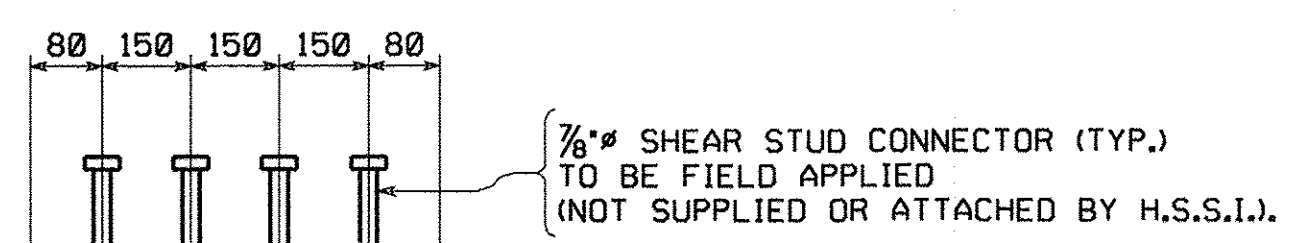


SHEAR STUD CONNECTION LOCATION LAYOUT

FOR NOTES, SEE DRAWING E1.
WORK THIS DRAWING WITH DRAWINGS E1 THRU E3.

(A) INDICATES SUFFIX MARK OF SHIPPING PIECE.

MARK	A	B	C	D	E	F	G	H	J	K	L
G1	414	60	36 000	619	63	37 800	435	60	36 000	616	245
G2	475	61	36 600	209	63	37 800	631	61	36 600	207	308
G3	534	61	36 600	398	64	38 400	228	61	36 600	395	369
G4	594	61	36 600	586	64	38 400	424	61	36 600	585	431
G5	656	62	37 200	176	64	38 400	620	62	37 200	175	491
G6	718	62	37 200	365	65	39 000	215	62	37 200	364	553



SECTION A

TVGA CONSULTANTS

NO EXCEPTIONS TAKEN REJECTED
 FURNISH AS CORRECTED
 REVISE AND RESUBMIT
 ENGINEER has reviewed Shop Drawings and Samples and other data which Contractor is required to submit, only for conformance with the information given in the Contract Documents and compatibility with the design concept of the completed Project as a functioning whole as indicated in the Contract Documents. Such reviews do not extend to means, methods, techniques, sequences or procedures of construction or to safety precautions and programs incident thereto. Contractor is responsible for information that pertains solely to the fabrication processes or to techniques of construction, and for coordination of the work of all trades.
 BY: *[Signature]*
 DATE: 1/28/06

NO.	REVISION	BY	CHK'D	DATE
ERECTION PLAN ~ STUD LAYOUTS VT ROUTE 279 OVER FURNACE BROOK VT ROUTE 279 STA. 8+542.000 TO STA. 8+685.000 TOWN OF BENNINGTON VERMONT, BRIDGE B12 STATE OF VERMONT AGENCY OF TRANSPORTATION				
SCALE	AC NH F019-1(53)	FED. AID PROJ. NO.		
N.T.S.	GENERAL CONTRACTOR J.A. McDONALD, INC.	HSSI PROJ. NO.	DEB KUPRES	
SHPMT	3 DRAWING MANAGER BRITIGAN (IH)	MADE BY MAF	CHK'D BY CS	DATE 11-29-07
STATE	VT HSSI PROJECT NUMBER S-1070147	HSSI STRUCT. ID A	DRAWING NUMBER E5 OF E5	

SHIPMENT 01
 PKG ENG: 5/26/2007 PROJ: 500238B SHIPPERECT: 5002389
 BY: Mkreides
 PLOTTED: 11/30/2007 12:43:11 PM