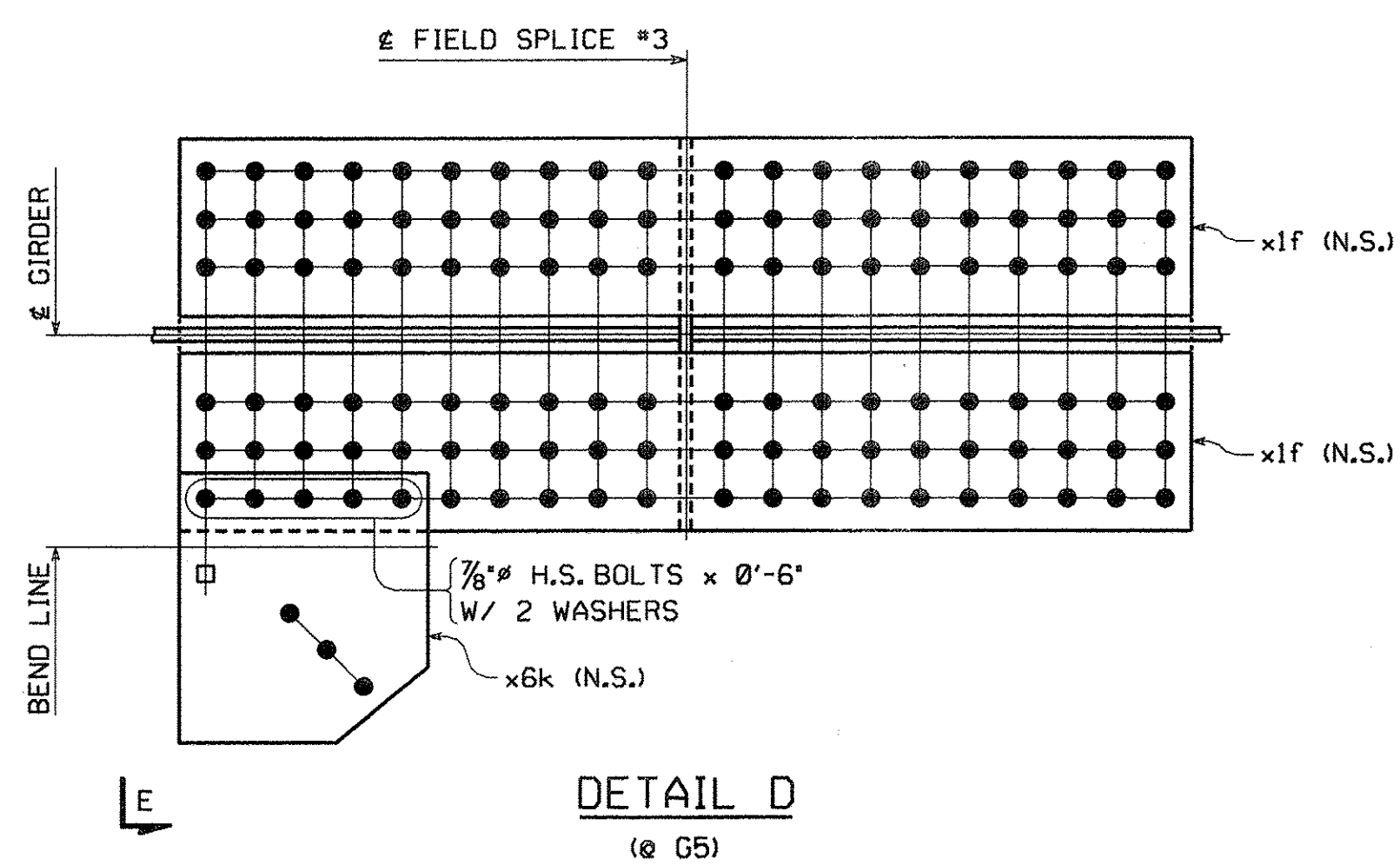
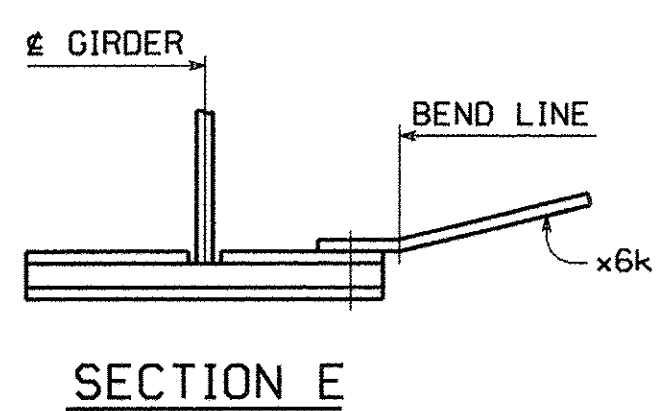
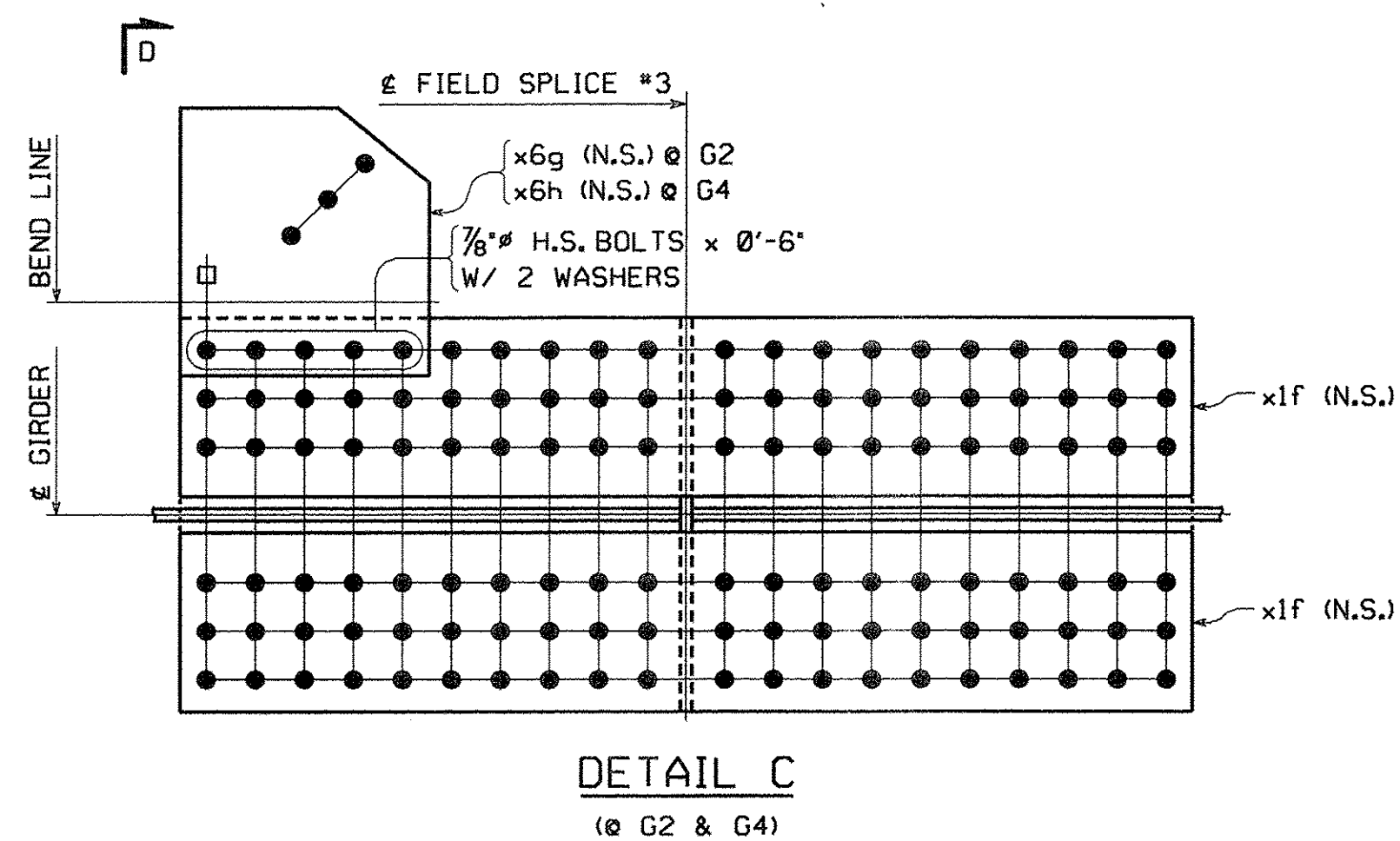
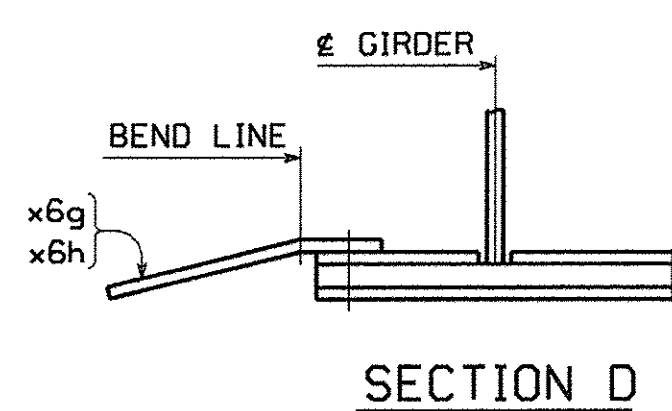
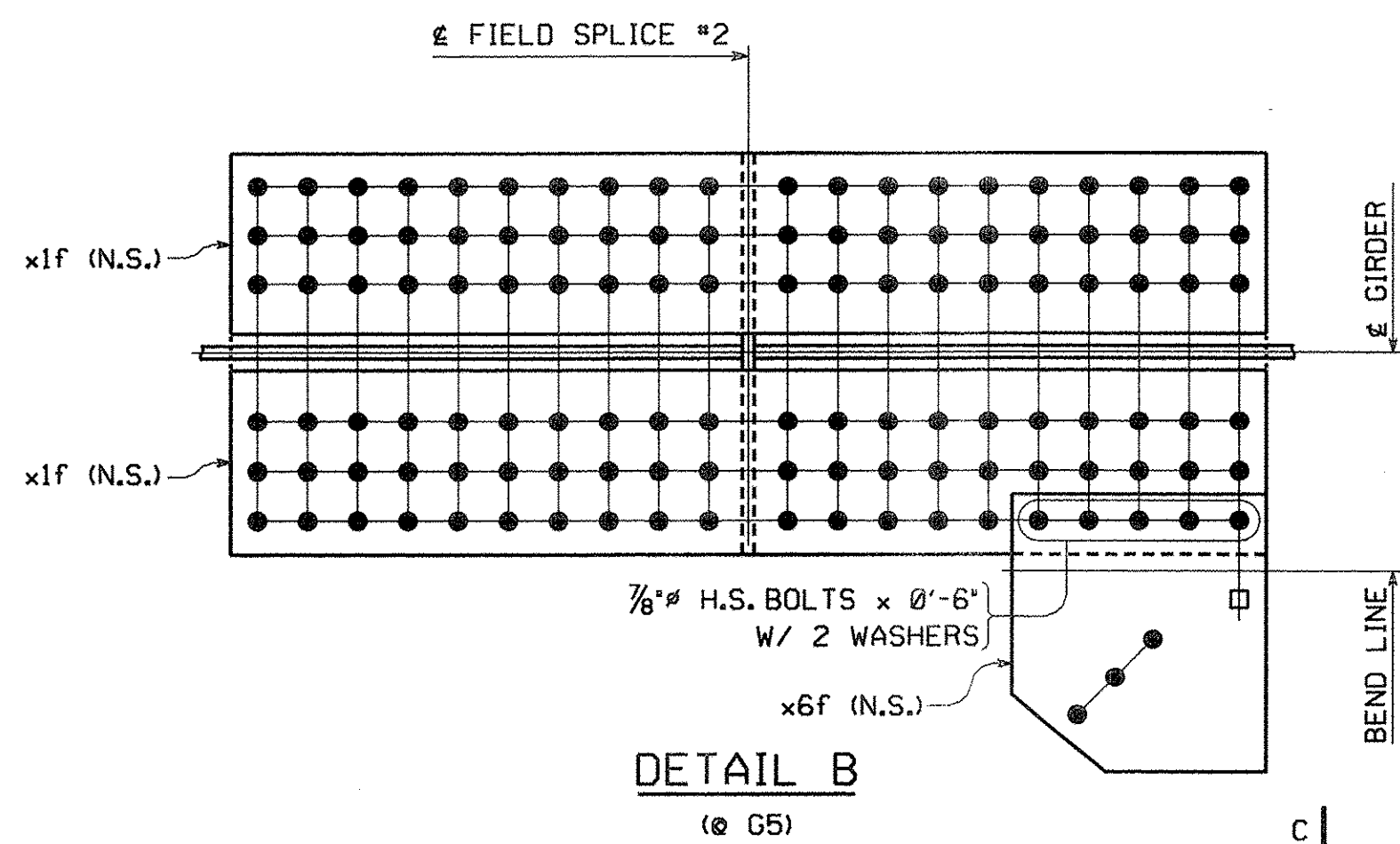
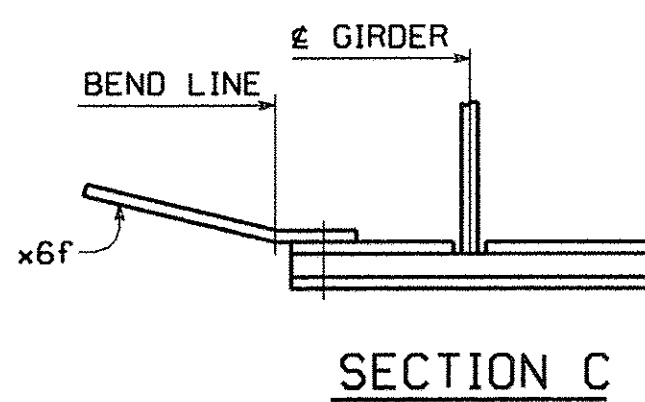
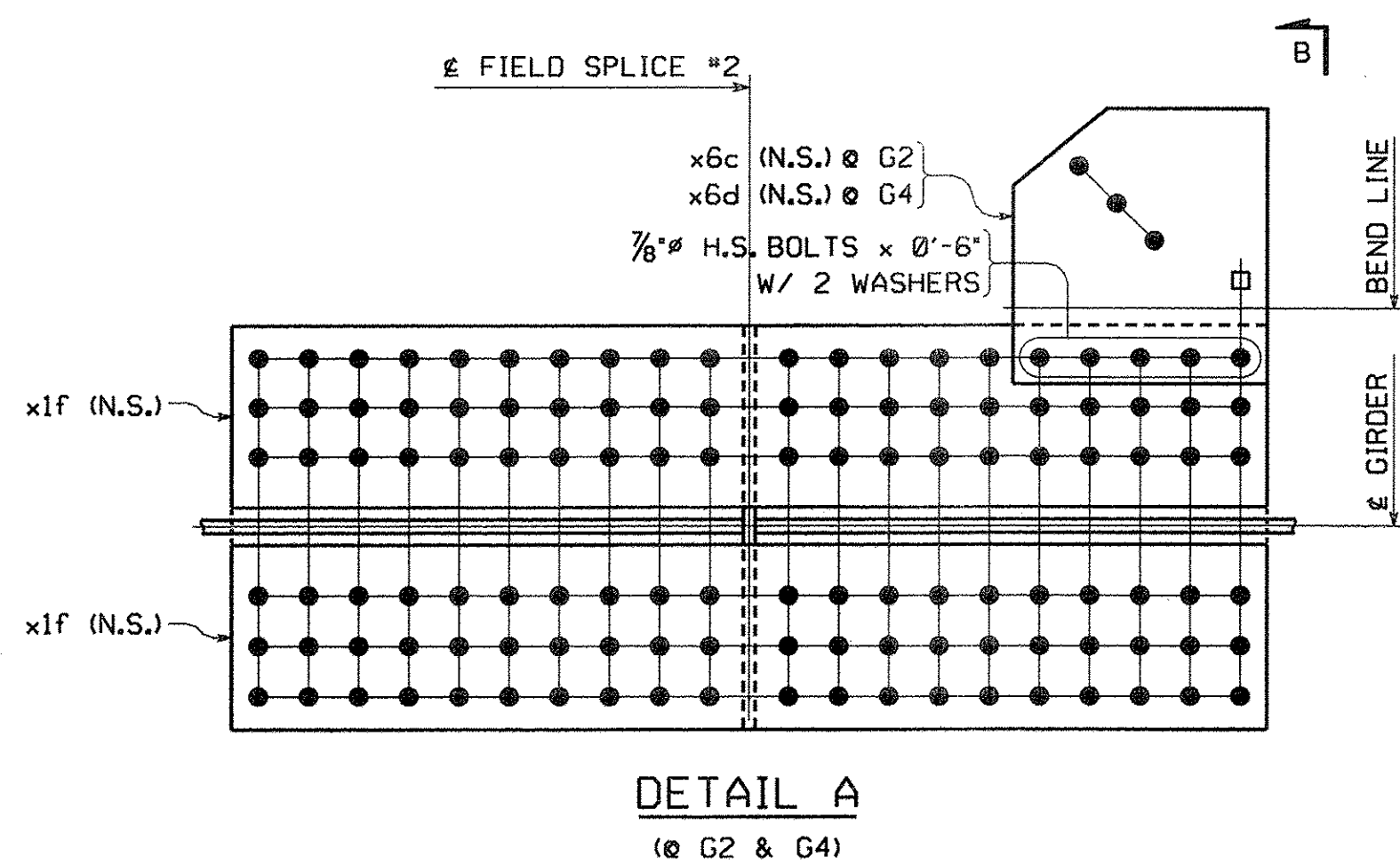
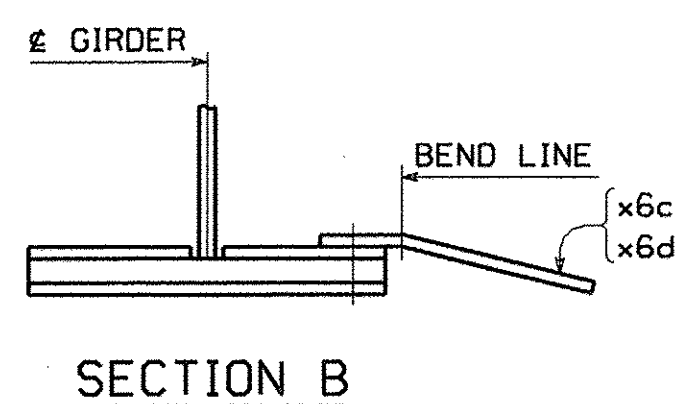


METRIC



TVGA CONSULTANTS

NO EXCEPTIONS TAKEN REJECTED
 FURNISH AS CORRECTED
 REVISE AND RESUBMIT
 ENGINEER has reviewed Shop Drawings and Samples and other data which Contractor is required to submit, only for conformance with the information given in the Contract Documents and compatibility with the design concept of the completed Project as a functioning whole as indicated in the Contract Documents. Such reviews do not extend to means, methods, techniques, sequences or procedures of construction or to safety precautions and programs incident thereto. Contractor is responsible for dimensions to be confirmed and controlled at the job site, for information that pertains solely to the fabrication processes or to techniques of construction, and for coordination of the work of all trades.

BY: *[Signature]*
 DATE: 11/20/07

NO.	REVISION		BY	CHK'D	DATE
HILES					
BOLTS					
COATING	ERECTOR PLAN ~ DETAILS				
CODE(S)	VT ROUTE 279 OVER FURNACE BROOK				
SCALE	VT ROUTE 279 STA. 8+542.000 TO STA. 8+685.000				
N.T.S.	TOWN OF BENNINGTON VERMONT, BRIDGE B12				
GENERAL CONTRACTOR	STATE OF VERMONT				
DRAWING MANAGER	AGENCY OF TRANSPORTATION				
PROJECT NUMBER	AC NH F019-1153				
STATE	FED. AID PROJ. NO.				
	GENERAL CONTRACTOR J.A. McDONALD, INC.				
	HSSI PROJ. MGR DEB KUPRES				
	DRAWING MANAGER BRITIGAN (IH)				
	MADE BY MAF				
	CHK'D. BY CS				
	DATE 11-29-07				
	HSSI PROJECT NUMBER S-1070147				
	HSSI STRUCT. ID A				
	DRAWING NUMBER E4 OF E5				

PLOTTED: 11/28/07 12:43:08 PM
 SHIPMENT 01
 PHASE: 5002817 PRD: 5002818 SHIP/ELECT: 5002819
 BY: Mfrendel