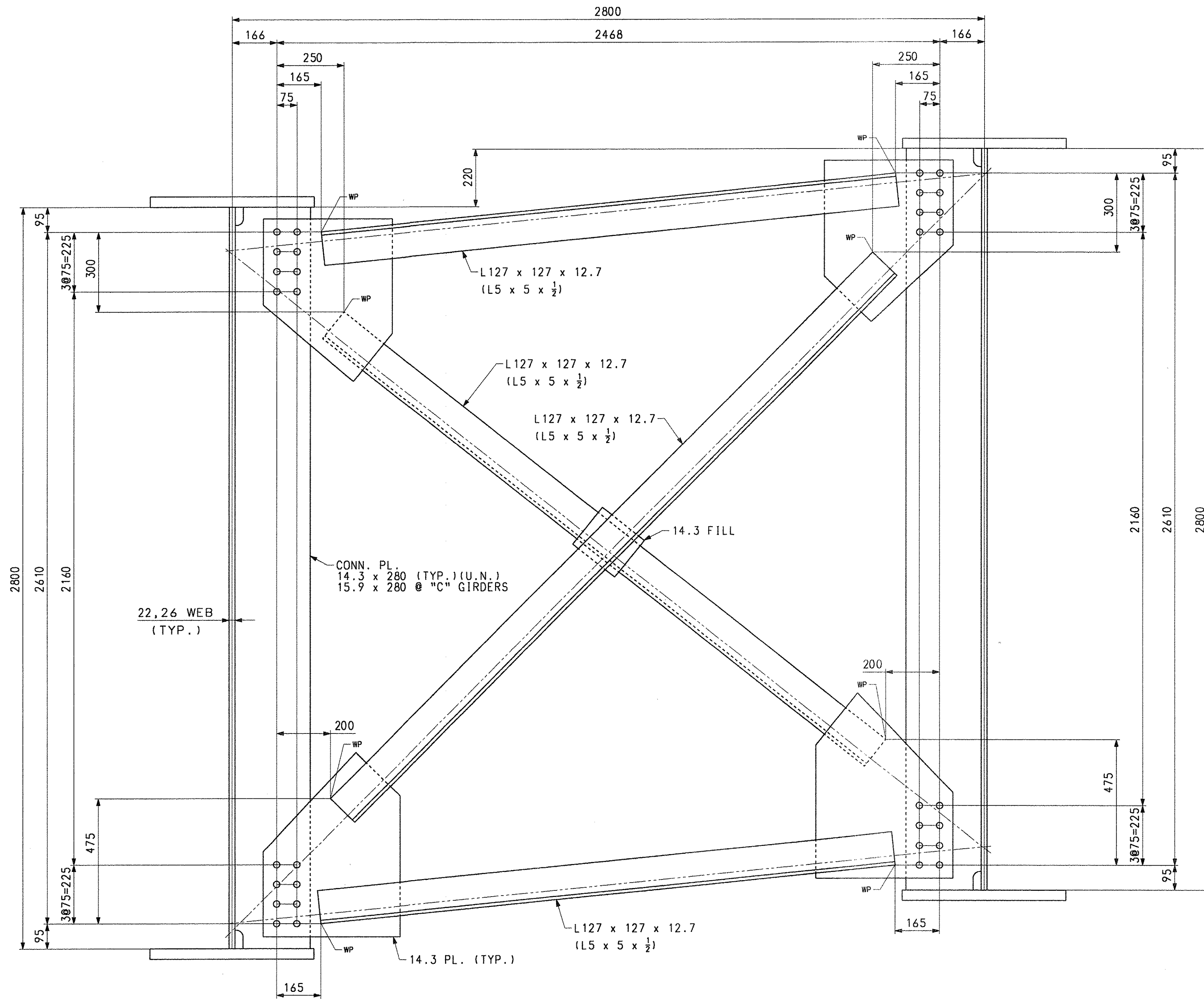


SHIPMENT 1 PMAENG: 5002BLZ PRD: 5002BLB SHIP&RECT: 5002BL3

PLOTTED: 11/30/07 12:48:41 BY: Mkreide1



TYP. INT. CROSSFRAME LAYOUT
(LOOKING STATIONS AHEAD)

NOTES:
FOR NOTES, SEE DRAWING WS1.
WORK THIS DRAWING WITH WS1.

NOTE
THE PURPOSE OF THIS DRAWING IS TO COORDINATE GEOMETRIC CONTROL INFORMATION. THIS DRAWING IS SUBMITTED FOR INFORMATION ONLY AND IS NOT INTENDED FOR SHOP FABRICATION. THIS DRAWING IS FOR REFERENCE ONLY. APPROVAL IS NOT REQUIRED.

TVGA CONSULTANTS

NO EXCEPTIONS TAKEN REJECTED
 FURNISH AS CORRECTED
 REVISE AND RESUBMIT

ENGINEER has reviewed Shop Drawings and Samples and other data which Contractor is required to submit, only for conformance with the information given in the Contract Documents and compatibility with the design concept of the completed Project as a functioning whole as indicated in the Contract Documents. Such reviews do not extend to means, methods, techniques, sequences or procedures of construction or to safety precautions and programs incident thereto. Contractor is responsible for dimensions to be confirmed and controlled at the job site, for information that pertains solely to the fabrication processes or to techniques of construction, and for coordination of the work of all trades.

BY: *[Signature]*
DATE: 11/20/07

NO.		REVISION		BY	CHK'D	DATE
<p>Holes: 15/16" Ø</p> <p>Bolts: NONE</p> <p>Coating: NONE</p> <p>Code(s):</p> <p>Scale: N.T.S.</p>						
<p>HIGH STEEL STRUCTURES INC. An ISO 9001:2000 Certified Company 1815 Old Philadelphia Pike, Lancaster, PA 17605-0008 Phone (717) 299-5211 www.highsteel.com</p>						
<p>TYPICAL DETAILS - CROSSFRAME LAYOUTS</p> <p>VT ROUTE 279 OVER FURNACE BROOK</p> <p>VT ROUTE 279 STA. 8+542.000 TO STA. 8+685.000</p> <p>TOWN OF BENNINGTON VERMONT, BRIDGE B12</p> <p>STATE OF VERMONT</p> <p>AGENCY OF TRANSPORTATION</p>						
STATE CONT. OR REF. NO.		AC NH F019-1153		FED. AID PROJ. NO.		
GENERAL CONTRACTOR		J.A. McDONALD, INC.		HSS1 PROJ. MGR		DEB KUPRES
SHIPMT	3	DRAWING MANAGER	BRITIGAN (IH)	MADE BY	ERS	CHK'D BY CS DATE 11-14-07
STATE	VT	HSS1 PROJECT NUMBER	S-1070147	HSS1 STRUCT. ID	A	DRAWING NUMBER TD4 OF TD4