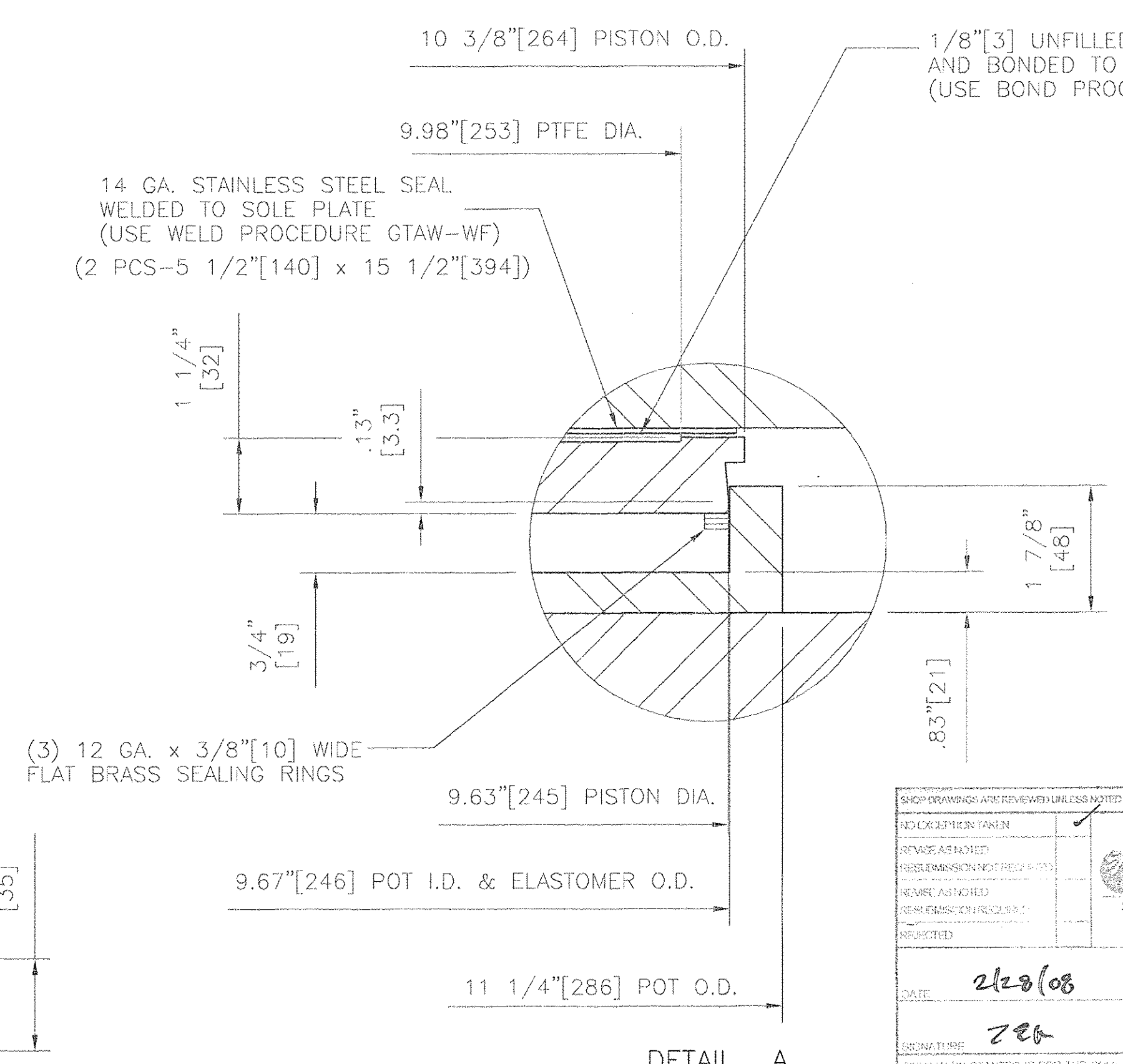
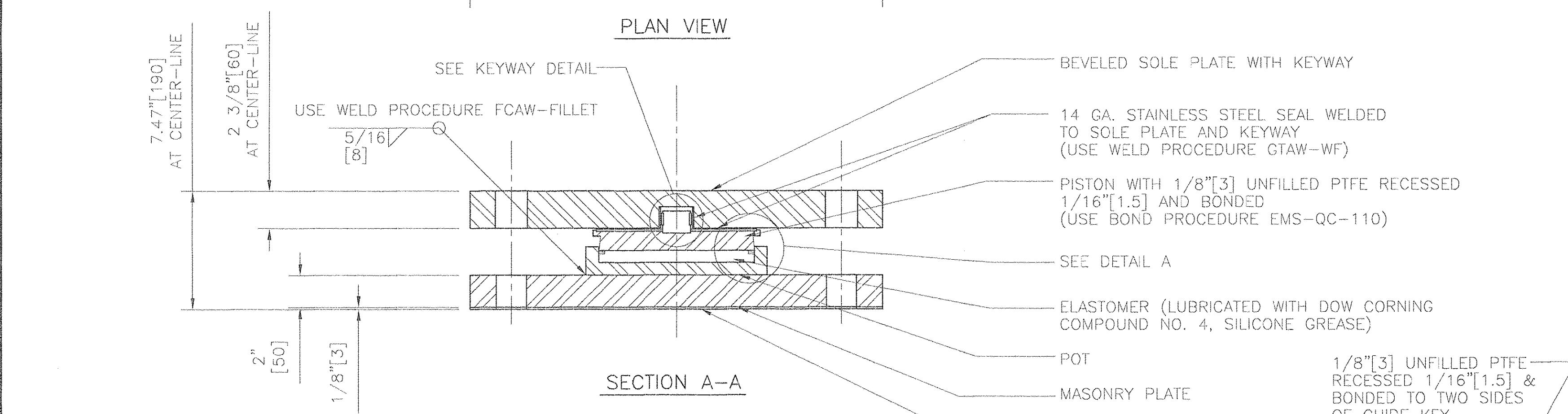


- BEARING NOTES:**
1. ALL BEARINGS SHALL BE MARKED FOR IDENTIFICATION WITH LOCATION AND SHALL BE WRAPPED FOR PROTECTION DURING SHIPPING AND STORAGE.
 2. ANCHOR BOLTS AND HARDWARE SHALL BE GALVANIZED IN ACCORDANCE WITH ASTM A.153 OR A.123 AS APPLICABLE.
 3. PROTECT PTFE AND STAINLESS STEEL SURFACES AT ALL TIMES FROM DIRT, WELD SPATTER AND ANY FOREIGN MATTER. AVOID DIRECT SUNLIGHT TO PTFE SURFACES AS THIS WILL CAUSE DAMAGE.
 4. BEARINGS MUST NOT BE DISMANTLED AT ANY TIME WITHOUT EXPRESS WRITTEN AUTHORIZATION FROM COSMEC, INC.. UNAUTHORIZED DISASSEMBLY MAY CAUSE MALFUNCTION OF UNIT.
 5. ALL BEARINGS DEVICES SHALL BE ZINC METALLIZED AS PER SUBSECTION 531.04(b) AND 506.15(b). BEARINGS SHALL BE SEALED WITH AN APPROVED SEALER AS SPECIFIED IN STANDARD SPECIFICATION SUBSECTION 506.15(B). AREAS OF METALLIZING DAMAGED BY FIELD WELDING OR HANDLING SHALL BE PAINTED WITH AN APPROVED SEALANT. 6 MILS. MIN. EXTERIOR SURFACES.
 6. COSMEC, INC. REPRESENTATIVE: MR. MATT McANDREWS (508-668-6600)
 7. ☉ INDICATES THICK END OF BEVELED SOLE PLATE.



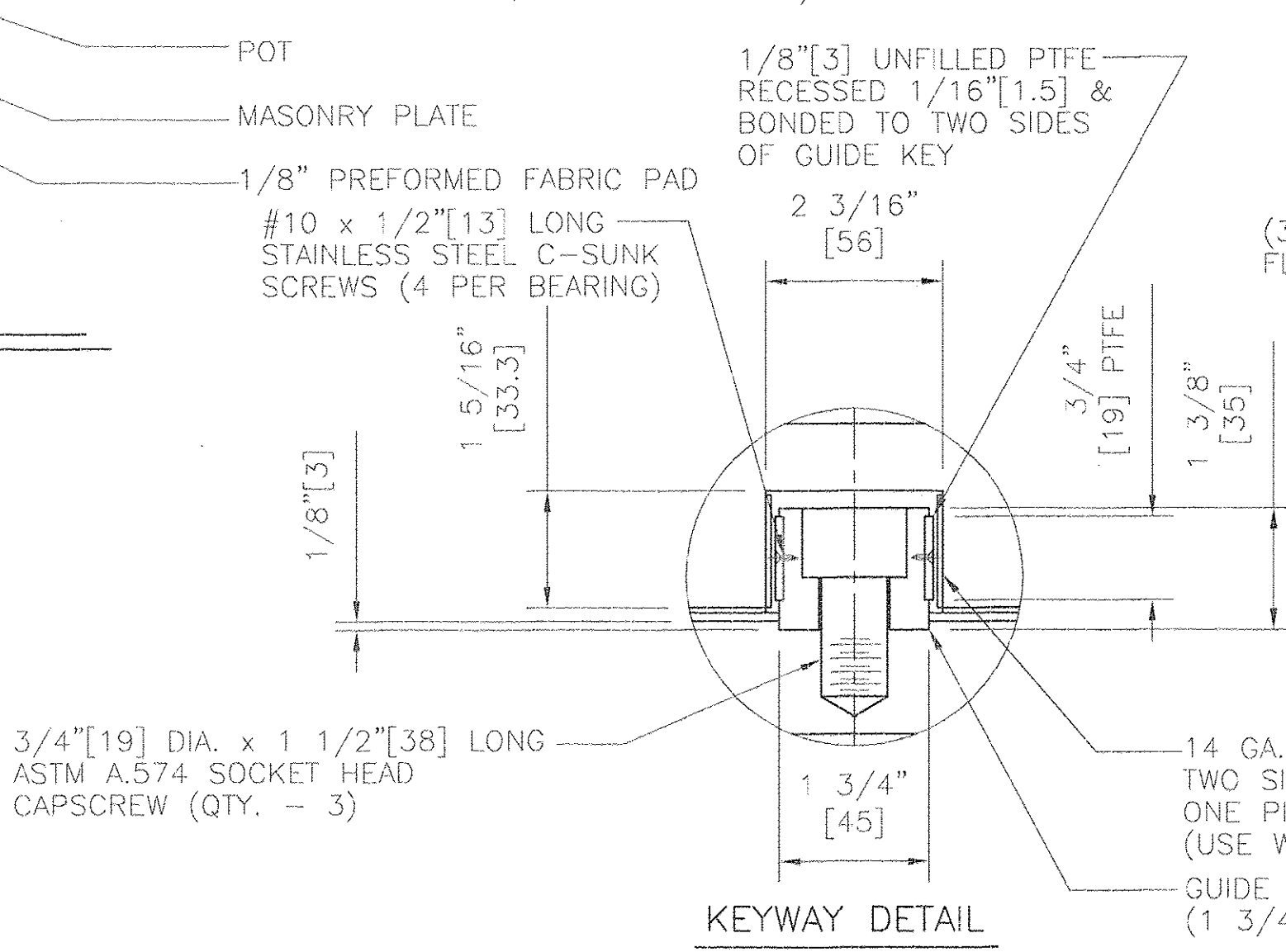
- BEARING MATERIALS:**
- STEEL - ASTM A.709 GR.345 (GR.50) ZINC METALLIZED
 - STAINLESS STEEL - ASTM A.240 TYPE 304, #8 MIRROR FINISH
 - PTFE - ASTM D.4894 VIRGIN UNFILLED
 - BRASS RINGS - ASTM B.36 HALF HARD
 - ELASTOMER - AASHTO 50 ±5 DUROMETER NEOPRENE
 - PREFORMED FABRIC PAD - AASHTO SPEC. 18.4.9.1 DIV. II
 - SOCKET HEAD CAPSCREWS - ASTM A.574
 - ANCHOR BOLT & HARDWARE - SEE DETAIL

NOTE TO CONTRACTOR:

OVER ALL BEARING HEIGHTS DIFFER FROM THOSE SHOWN ON THE CONTRACT PLANS. CONTRACTOR SHALL RECOMPUTE ALL BEARING SEAT ELEVATIONS TO ACCURATELY REFLECT THE HEIGHTS OF BEARINGS SUPPLIED.

COSMEC GUIDED EXPANSION POT BEARING

LOCATION - PIER, GIRDERS 1 AND 2
 QUANTITY - 2
 TOTAL VERTICAL CAPACITY - 257 KIPS [1140kN]
 TOTAL HORIZONTAL CAPACITY - 25.7 KIPS [114kN]
 TOTAL LONGITUDINAL MOVEMENT - ±1.22" [±31mm]
 TOTAL TRANSVERSE MOVEMENT - ±1/16" [±1.5mm]
 ROTATION CAPACITY - 0.015 RADIAN



DESIGNED BY	DATE
CHECKED BY	DATE
APPROVED BY	DATE
DATE	2/20/08
DATE	2/20/08

STATE OF VERMONT
 AGENCY OF TRANSPORTATION

SHARED USE PATH OVER
 VT ROUTE 279
 TOWN OF BENNINGTON
 BRIDGE NO. B11
 PROJECT NO. AC NH 019-1(53)

COSMEC, INC. 70 SOUTH STREET, WALPOLE, MA 02081

SCALE: 3/16"=1"	DRAWN BY: MCM	CHECKED BY: MM
DATE: 1/7/08	DATE: 1/7/08	DATE: 1/10/08
COSMEC POT BEARINGS		
CUSTOMER: J. A. McDONALD, INC.	S.O. NUMBER: 60775	DRAWING NUMBER: 5327
REV. 1		

REV.	MADE KEYWAY PARALLEL TO GIRDER CENTER-LINE & SHOWED LIMITS OF ST. STL. & AS NOTED PER APPROVERS COMMENTS	BY	DATE	CK'D	DATE
1		MCM	2/14/08	MCM	2/14/08

RECEIVED
 MAR 03 2008