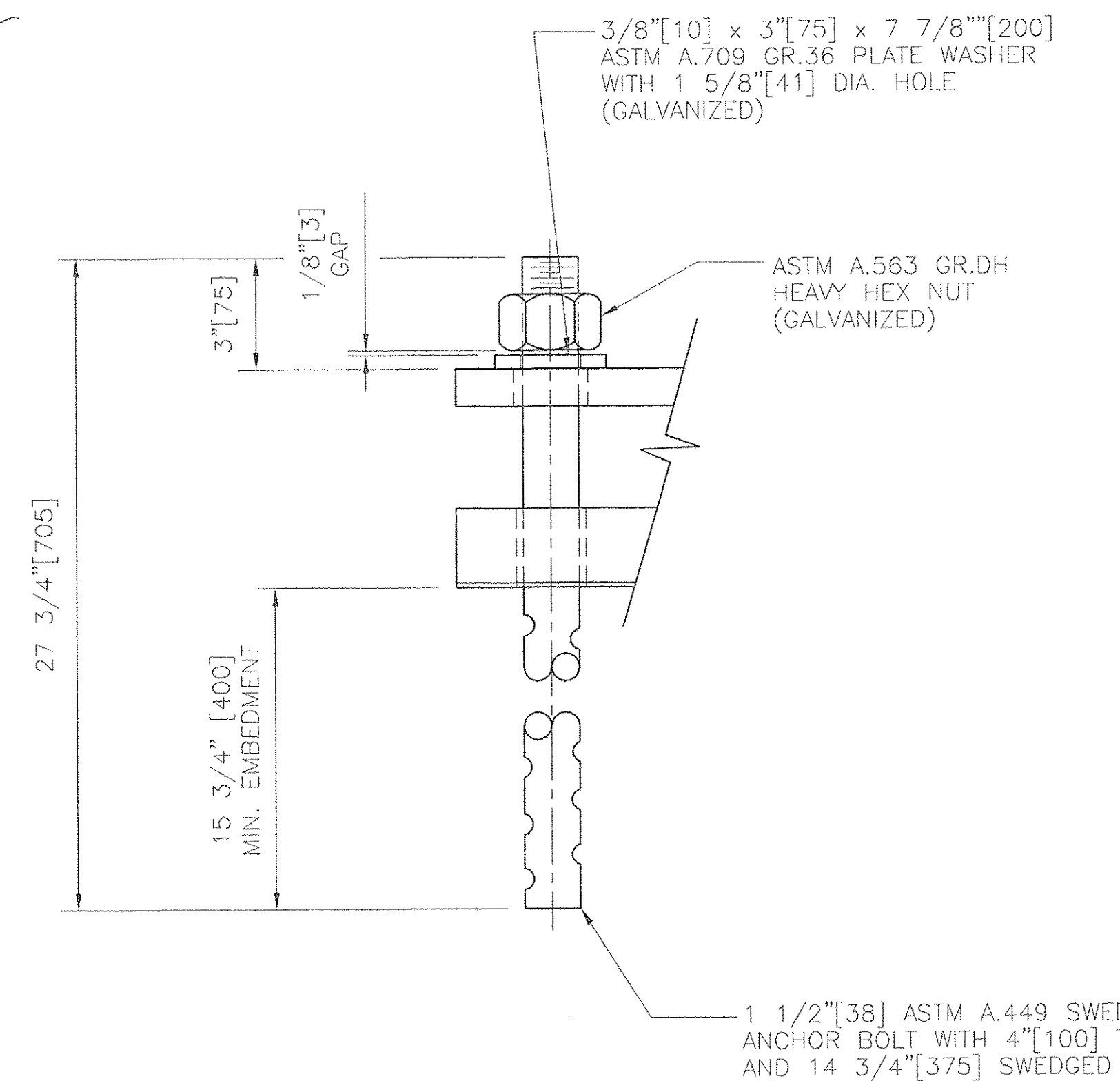
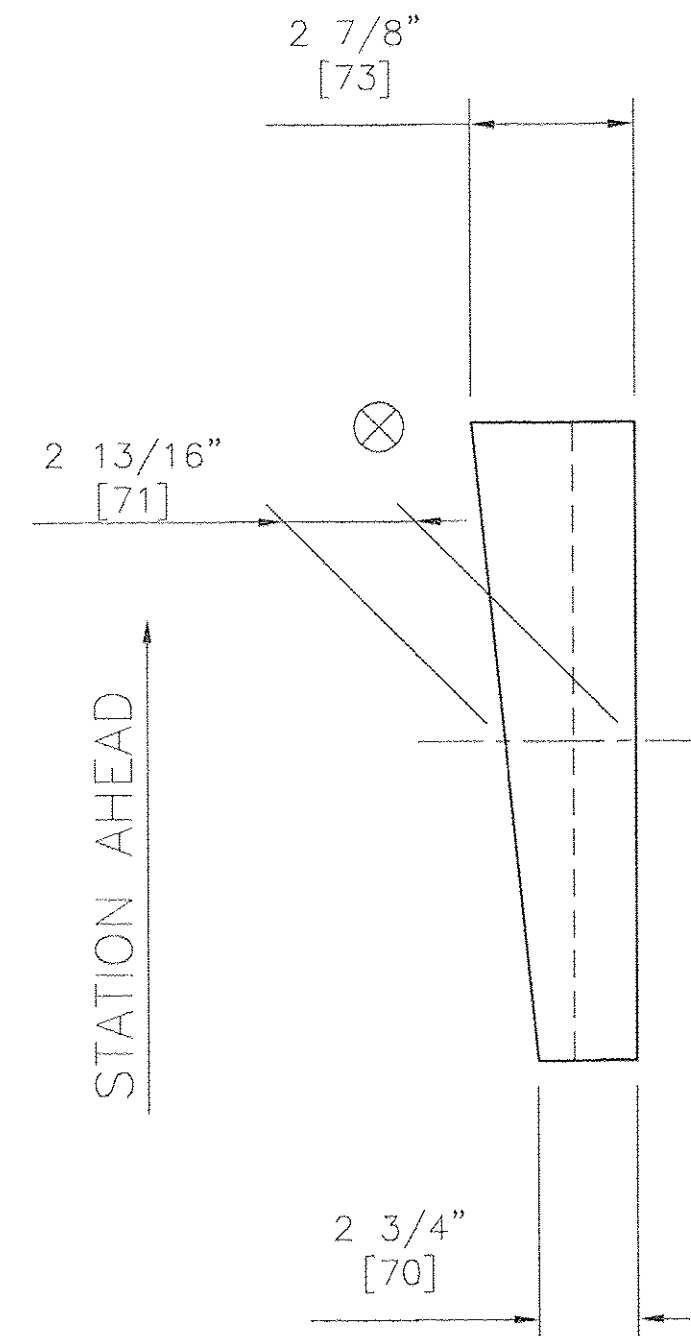


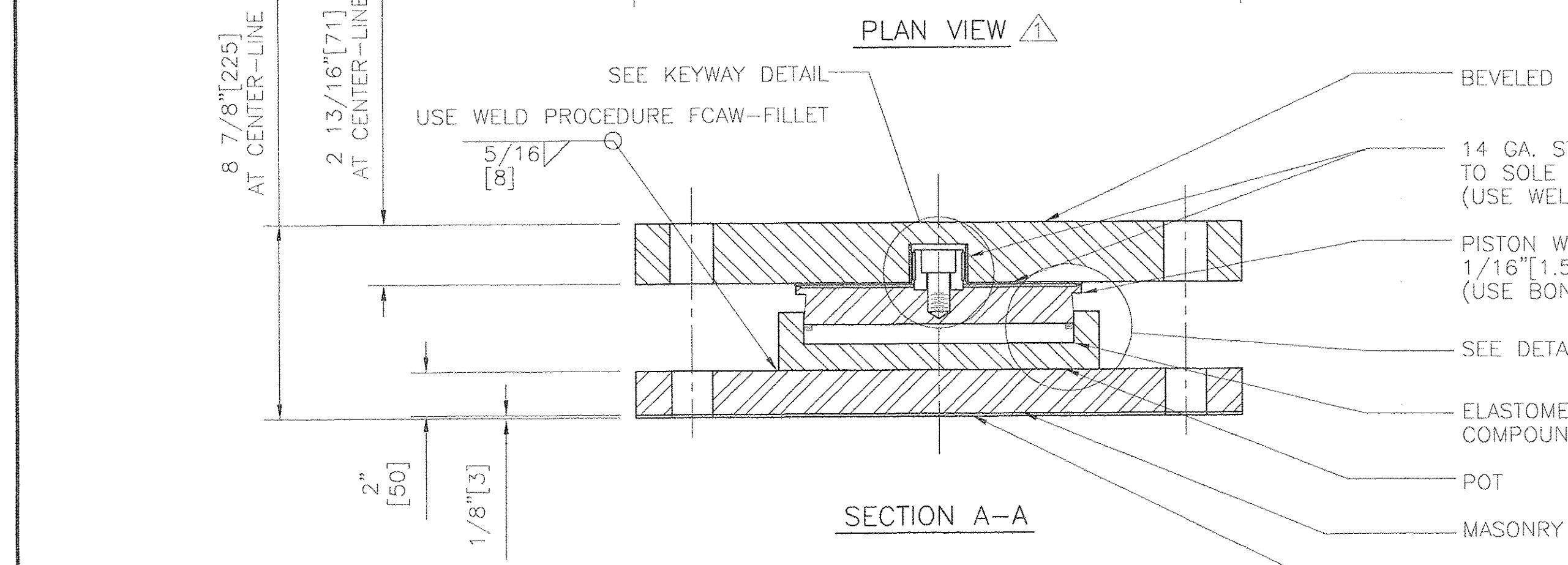
NOTE TO CONTRACTOR AND APPROVER

PLEASE VERIFY THE DIRECTION OF SKEWED SLOTS IN RELATION TO THE THICK END OF BEVELED SOLE PLATE AND STATION AHEAD



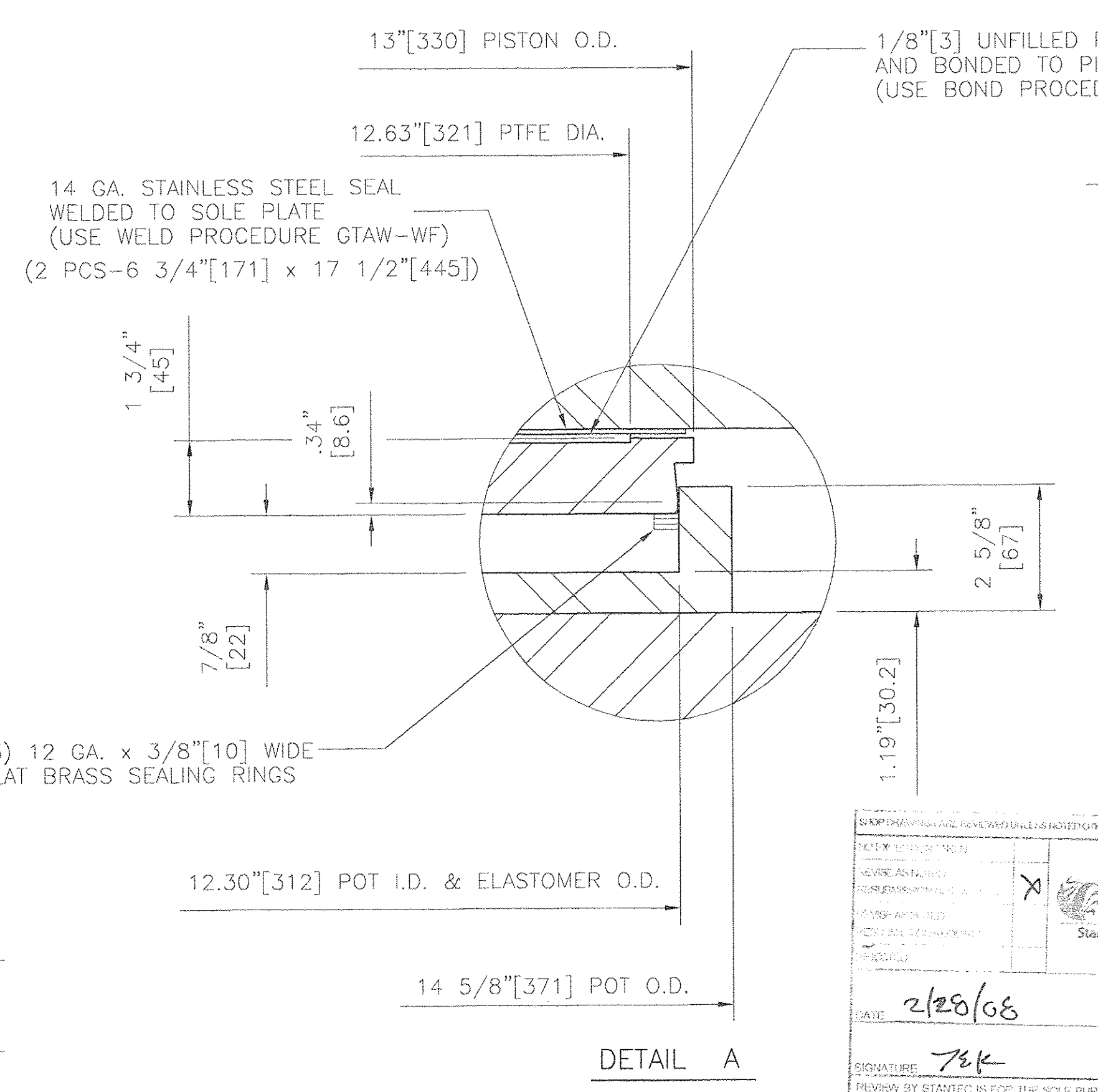
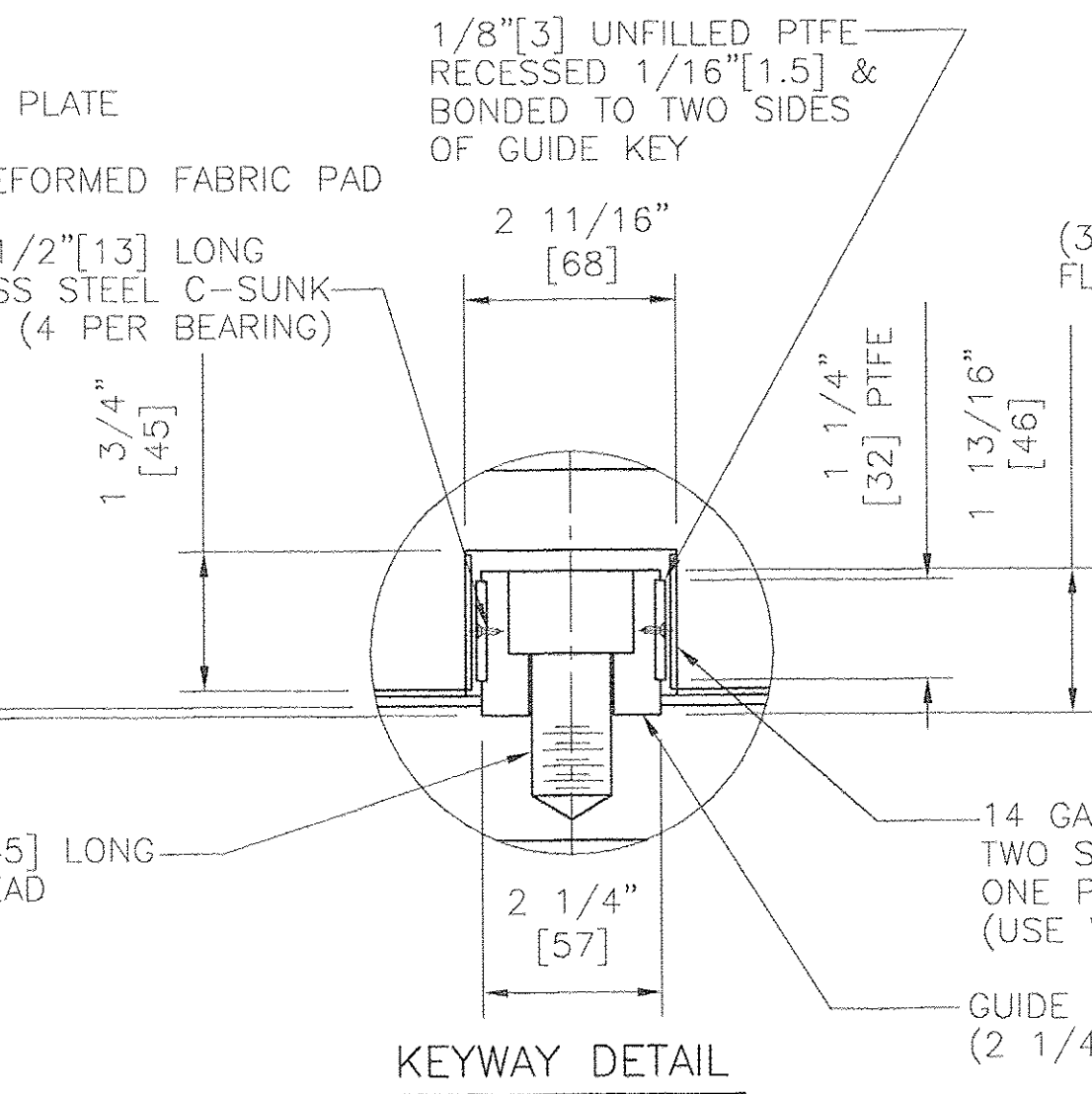
- BEARING NOTES:**
- ALL BEARINGS SHALL BE MARKED FOR IDENTIFICATION WITH LOCATION AND SHALL BE WRAPPED FOR PROTECTION DURING SHIPPING AND STORAGE.
 - ANCHOR BOLTS AND HARDWARE SHALL BE GALVANIZED IN ACCORDANCE WITH ASTM A.153 OR A.123 AS APPLICABLE.
 - PROTECT PTFE AND STAINLESS STEEL SURFACES AT ALL TIMES FROM DIRT, WELD SPATTER AND ANY FOREIGN MATTER. AVOID DIRECT SUNLIGHT TO PTFE SURFACES AS THIS WILL CAUSE DAMAGE.
 - BEARINGS MUST NOT BE DISMANTLED AT ANY TIME WITHOUT EXPRESS WRITTEN AUTHORIZATION FROM COSMEC, INC.. UNAUTHORIZED DISASSEMBLY MAY CAUSE MALFUNCTION OF UNIT.
 - ALL BEARINGS DEVICES SHALL BE ZINC METALLIZED AS PER SUBSECTION 531.04(b) AND 506.15(b). BEARINGS SHALL BE SEALED WITH AN APPROVED SEALER AS SPECIFIED IN STANDARD SPECIFICATION SUBSECTION 506.15(B). AREAS OF METALLIZING DAMAGED BY FIELD WELDING OR HANDLING SHALL BE PAINTED WITH AN APPROVED SEALANT, 6 MILS MIN. EXTERIOR SURFACES.
 - COSMEC, INC. REPRESENTATIVE: MR. MATT McANDREWS (508-668-6600)
 - ⊗ INDICATES THICK END OF BEVELED SOLE PLATE.

ANCHOR BOLT DETAIL



COSMEC GUIDED EXPANSION POT BEARING

LOCATION - PIER, GIRDERS 2 AND 3
QUANTITY - 2
TOTAL VERTICAL CAPACITY - 416 KIPS [1850kN]
TOTAL HORIZONTAL CAPACITY - 83.2 KIPS [370kN]
TOTAL LONGITUDINAL MOVEMENT - ±1.22" [±31mm]
TOTAL TRANSVERSE MOVEMENT - ±1/16" [±1.5mm]
ROTATION CAPACITY - 0.016 RADIAN



DETAIL A

- BEARING MATERIALS:**
- STEEL - ASTM A.709 GR.345 (GR.50) ZINC METALLIZED
 - STAINLESS STEEL - ASTM A.240 TYPE 304, #8 MIRROR FINISH
 - PTFE - ASTM D.4894 VIRGIN UNFILLED
 - BRASS RINGS - ASTM B.36 HALF HARD
 - ELASTOMER - AASHTO 50 ±5 DUROMETER NEOPRENE
 - PREFORMED FABRIC PAD - AASHTO SPEC. 18.4.9.1 DIV. II
 - SOCKET HEAD CAPSCREWS - ASTM A.574
 - ANCHOR BOLT & HARDWARE - SEE DETAIL

RECEIVED
MAR 03 2008
G.P.I.

STATE OF VERMONT
AGENCY OF TRANSPORTATION

EAST ROAD OVER
VT ROUTE 279
TOWN OF BENNINGTON
BRIDGE NO. B11
PROJECT NO. AC NH 019-1(53)

COSMEC, INC. 70 SOUTH STREET
WALPOLE, MA. 02081

SCALE: 3/16" = 1" DRAWN BY: MCM CHECKED BY: MM
DATE: 1/7/08 DATE: 1/9/08

COSMEC POT BEARINGS

REV.	DESCRIPTION	BY	DATE	CHK'D	DATE
1	MADE KEYWAY PARALLEL TO GIRDER CENTER-LINE & SHOWED LIMITS OF ST. STL. & AS NOTED PER APPROVERS COMMENTS	MCM	2/14/08	MCM	2/14/08

CUSTOMER: J. A. McDONALD, INC. S.D. NUMBER: 60775 DRAWING NUMBER: 5241 REV: 1