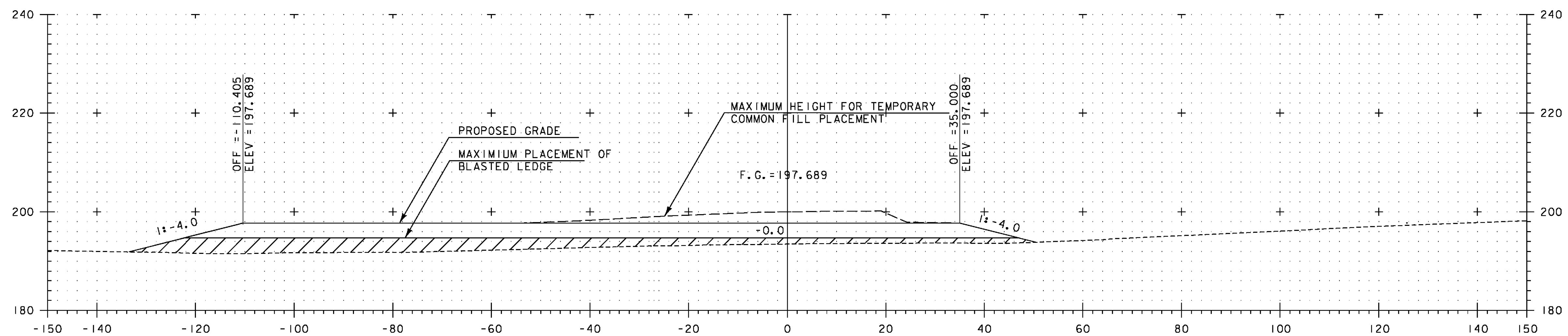
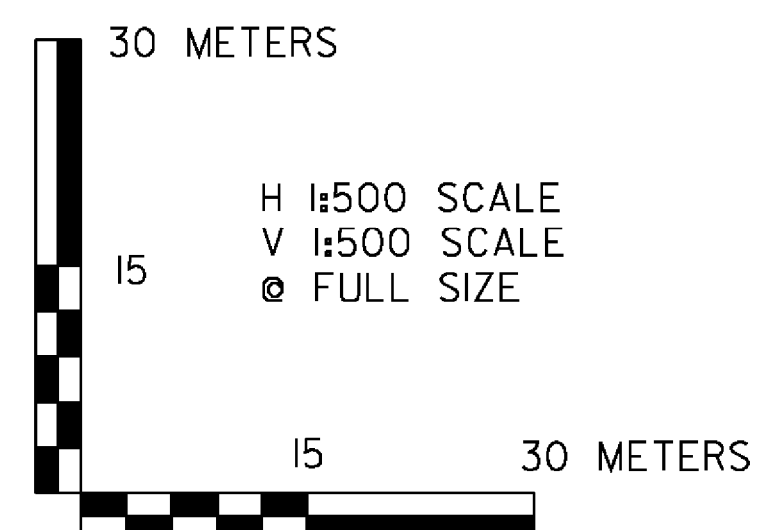


SI 1+060



SI 1+040

SEE NOTE  
ON  
SHEET 373



VERMONT AGENCY OF TRANSPORTATION



PROJECT NAME: BENNINGTON  
PROJECT NUMBER: AC NH 019-1(53)

FILE NAME: ...vzd307c3xs\_sl\_fill.pft  
DESIGN SUPERVISOR: GREG EDWARDS  
DESIGNED BY: MARC FOISY  
WC WASTE SITE - 4

PLOT DATE: 5/16/2011  
DRAWN BY: STANTEC  
CHECKED BY: GARY SANTY  
SHEET 374 OF 577