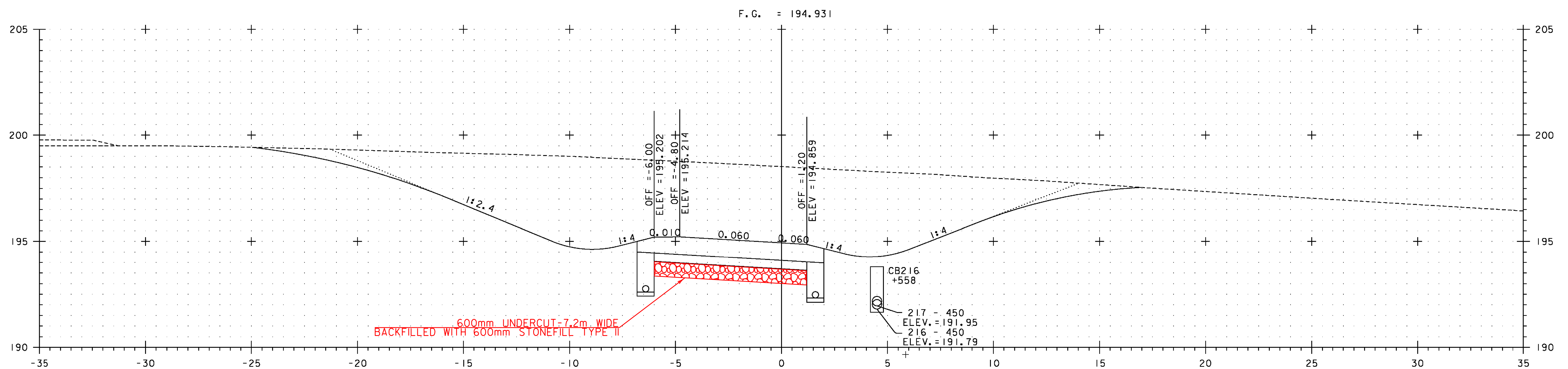
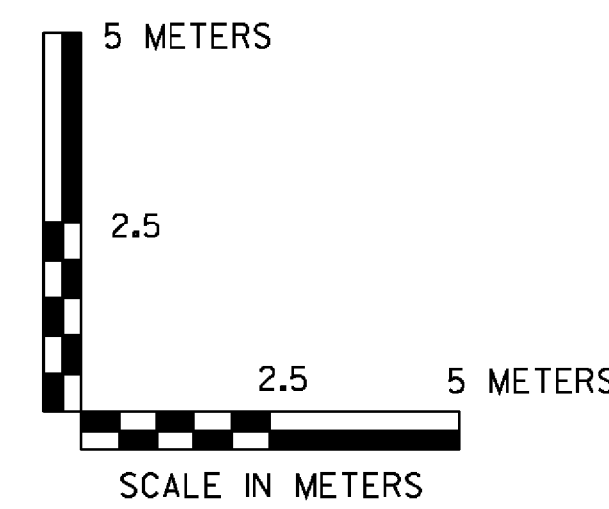


G I+580



G I+560



VERMONT AGENCY OF TRANSPORTATION



PROJECT NAME: BENNINGTON
PROJECT NUMBER: AC NH 019-I(53)

FILE NAME: ...vzd307c3xs_ramp.gptf
DESIGN SUPERVISOR: GREG EDWARDS
DESIGNED BY: MARC FOISY
RAMP G CROSS SECTIONS

PLOT DATE: 5/16/2011
DRAWN BY: STANTEC
CHECKED BY: GARY SANTY
SHEET 369 OF 577