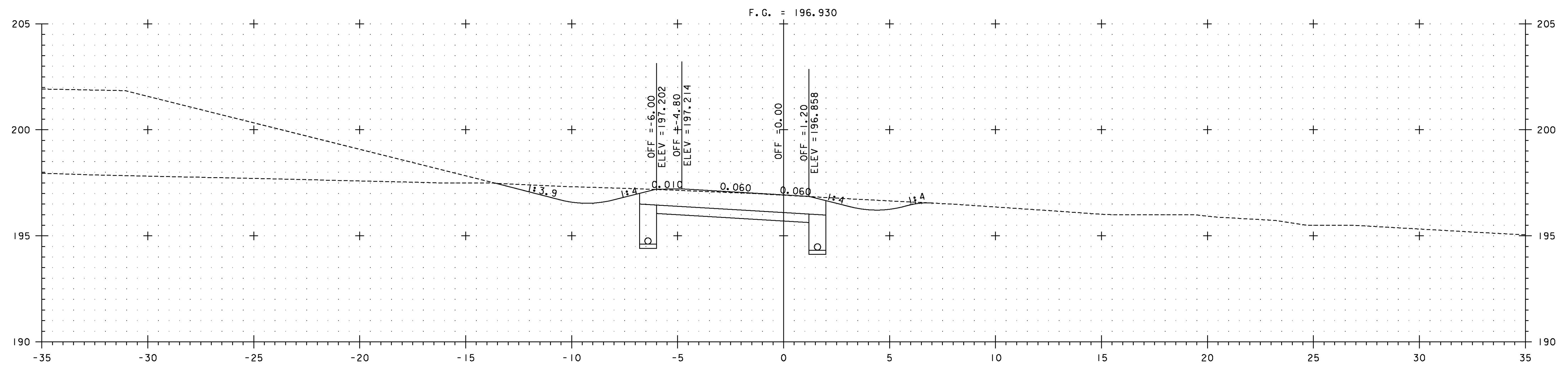
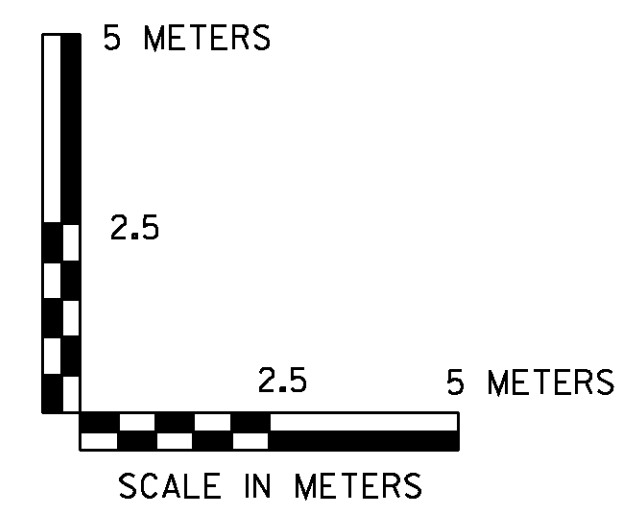


G I+500



G I+480



VERMONT AGENCY OF TRANSPORTATION



PROJECT NAME: BENNINGTON
PROJECT NUMBER: AC NH 019-(153)

FILE NAME: ...\\zd307c3xs_ramp_g.pptf
DESIGN SUPERVISOR: GREG EDWARDS
DESIGNED BY: MARC FOISY
RAMP G CROSS SECTIONS

PLOT DATE: 5/16/2011
DRAWN BY: STANTEC
CHECKED BY: GARY SANTY
SHEET 367 OF 577