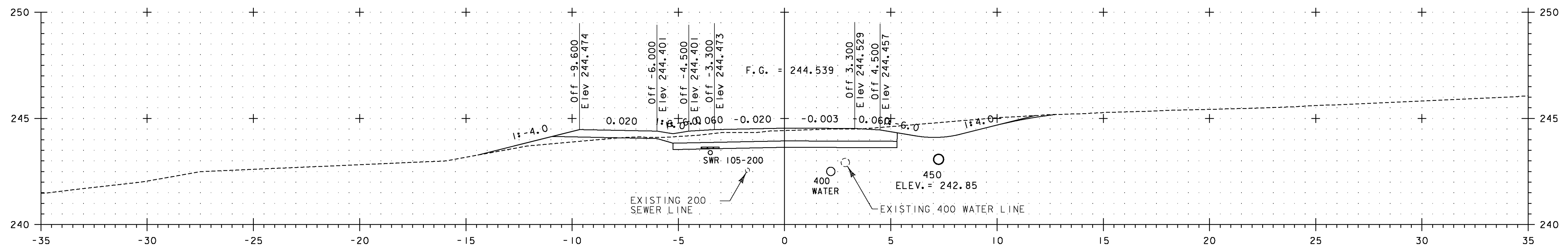
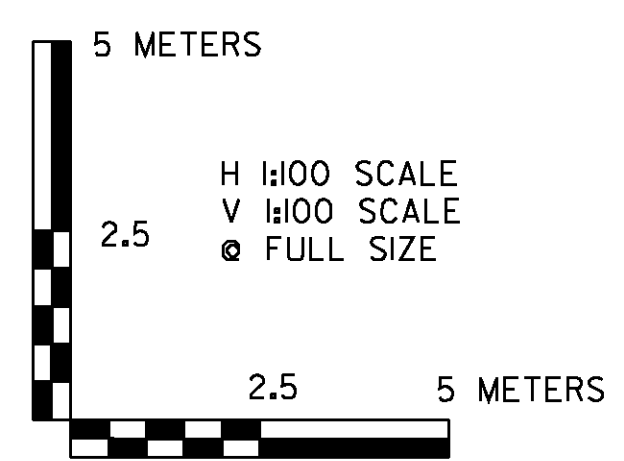


ER I+271



ER I+260



VERMONT AGENCY OF TRANSPORTATION	
	PROJECT NAME: BENNINGTON
	PROJECT NUMBER: AC NH 019-(153)
FILE NAME: ...\\plot_files\zd307c3xs.east.ptf	PLOT DATE: 5/16/2011
DESIGN SUPERVISOR: GREG EDWARDS	DRAWN BY: STANTEC
DESIGNED BY: MARC FOISY	CHECKED BY: GARY SANTY
EAST ROAD CROSS SECTIONS	
SHEET 358 OF 577	

V:\953\active\9530002A\transportation\drawing\contract_3\plot_files\zd307c3xs.east.ptf