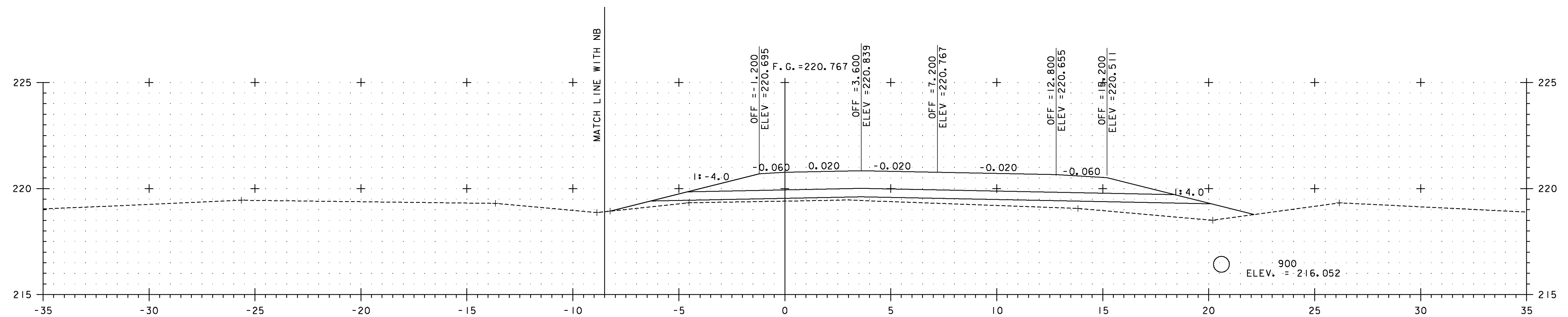
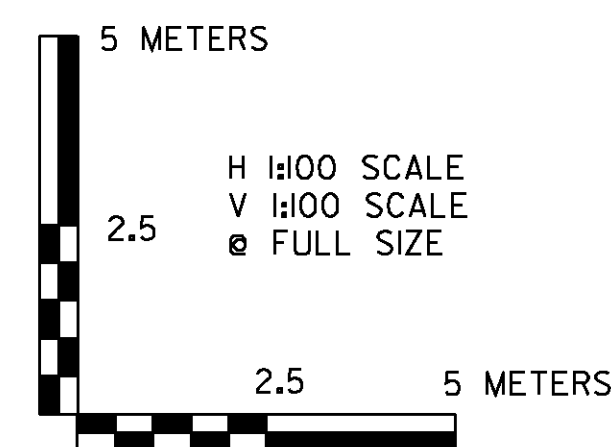


X0 0+880



X0 0+861

**NOTE:**  
**ELEVATIONS SHOWN ARE FOR THE ULTIMATE FINISHED GRADE.**  
**THE TOP 50 PAVEMENT COURSE (TYPE IIIS) WILL NOT BE**  
**CONSTRUCTED AS PART OF THIS CONTRACT. THIS CONTRACT**  
**ONLY INCLUDES 100 OF TYPE IS AND 80 OF TYPE IIS**  
**SUPERPAVE BITUMINOUS CONCRETE PAVEMENT (ITEM 490.30).**  
**PLEASE REFER TO THE ROADWAY TYPICAL SECTIONS FOR DETAILS.**



VERMONT AGENCY OF TRANSPORTATION



PROJECT NAME: BENNINGTON  
 PROJECT NUMBER: AC NH 019-(153)

FILE NAME: ...\\plot\_files\zd307c3xs\_xo.ppf PLOT DATE: 5/16/2011  
 DESIGN SUPERVISOR: GREG EDWARDS DRAWN BY: STANTEC  
 DESIGNED BY: MARC FOISY CHECKED BY: GARY SANTY  
**CROSSOVER CROSS SECTIONS** SHEET 332 OF 577

V:\9513\active\95130002\transportation\drawing\contract\_3\plot\_files\zd307c3xs\_xo.ppf