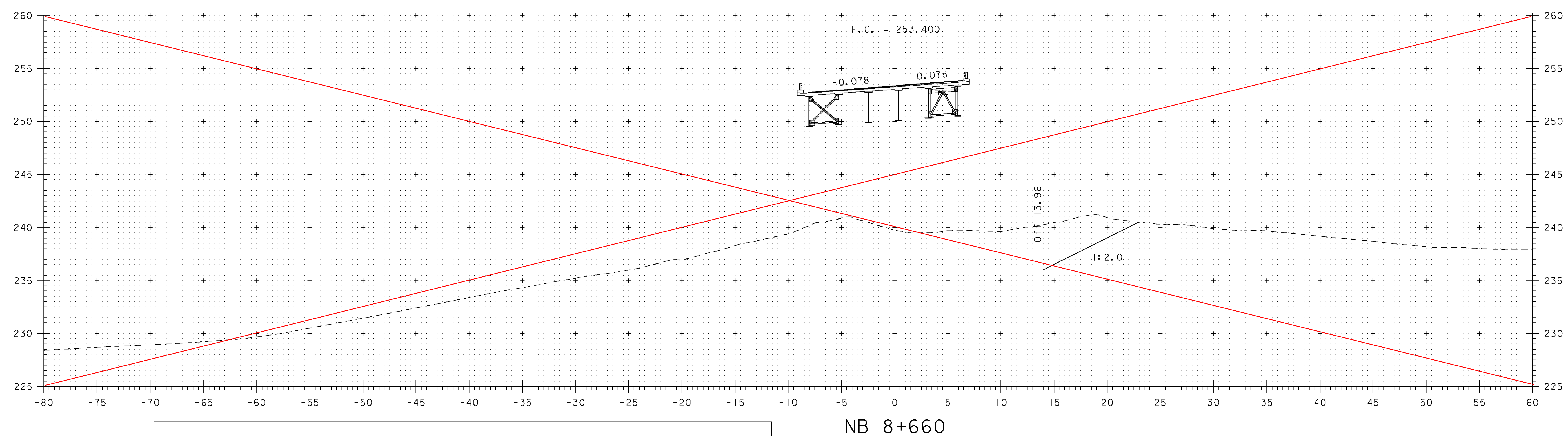
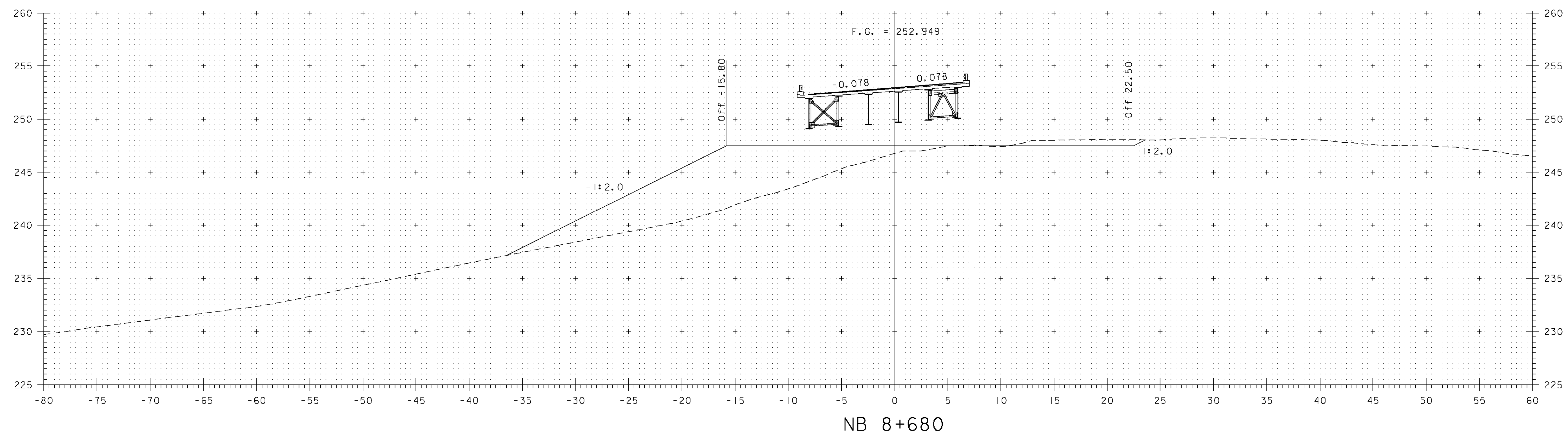
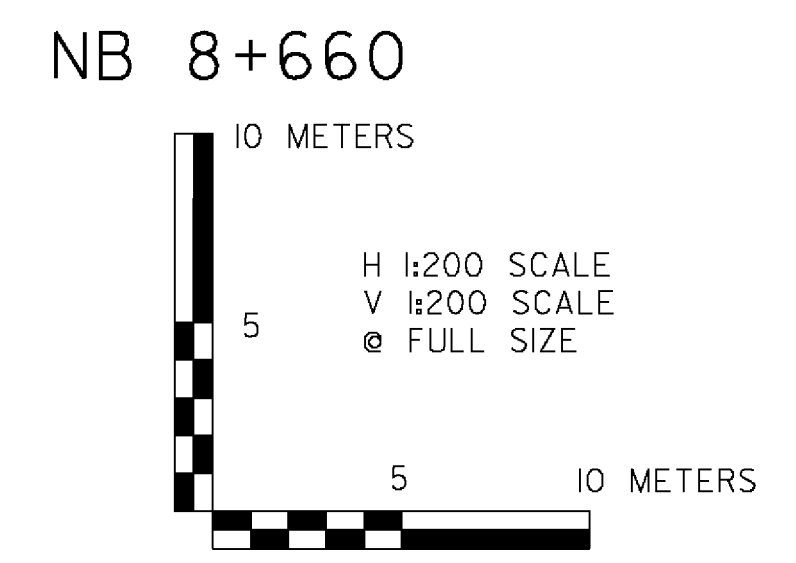


**REVISED**  
4-3-2009



**NOTE:**  
ELEVATIONS SHOWN ARE FOR THE ULTIMATE FINISHED GRADE.  
THE TOP 50 PAVEMENT COURSE (TYPE IIIS) WILL BE CONSTRUCTED  
ON THE BRIDGE LIMITS. THIS CONTRACT INCLUDES FULL DEPTH  
PAVEMENT CONSTRUCTION ON BRIDGE LIMITS ONLY.



<b>VERMONT AGENCY OF TRANSPORTATION</b>	
	PROJECT NAME: BENNINGTON PROJECT NUMBER: AC NH 019-1(53)
FILE NAME: ...zd307c3.revised.dgn DESIGN SUPERVISOR: GREG EDWARDS DESIGNED BY: MARC FOISY	PLOT DATE: 4/10/2009 DRAWN BY: STANTEC CHECKED BY: GARY SANTY SHEET OF
<b>NB MAINLINE CROSS SECTIONS 4</b>	

V:\1953\dcd\ve\1953\0002\1\cnsportation\drawing\con\trac1\_3\Ver Final\Revision\zd307c3.rvt\sec.dgn