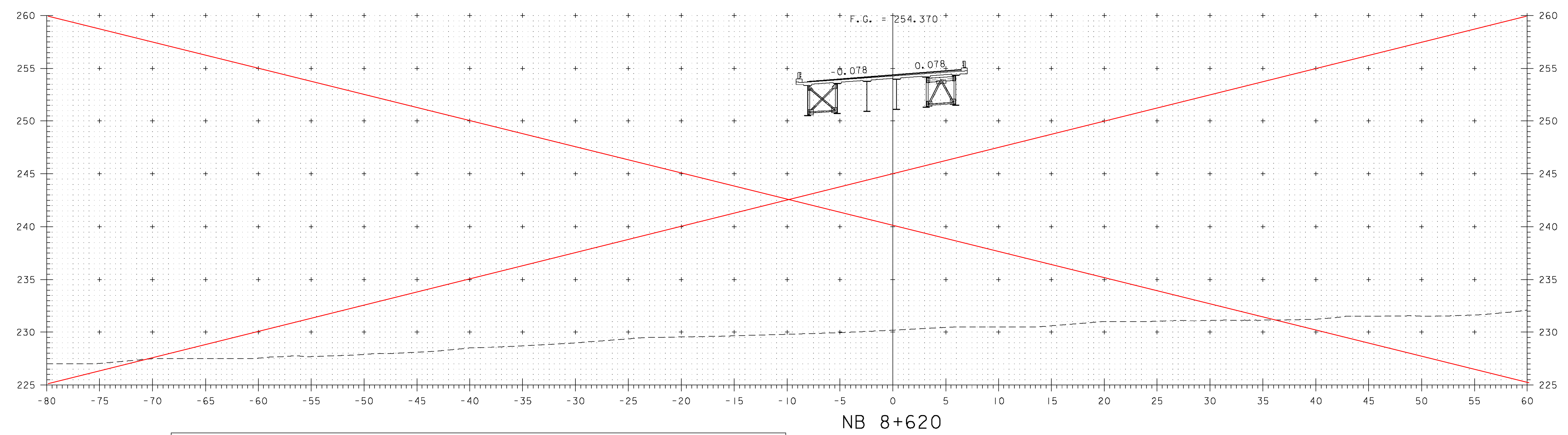
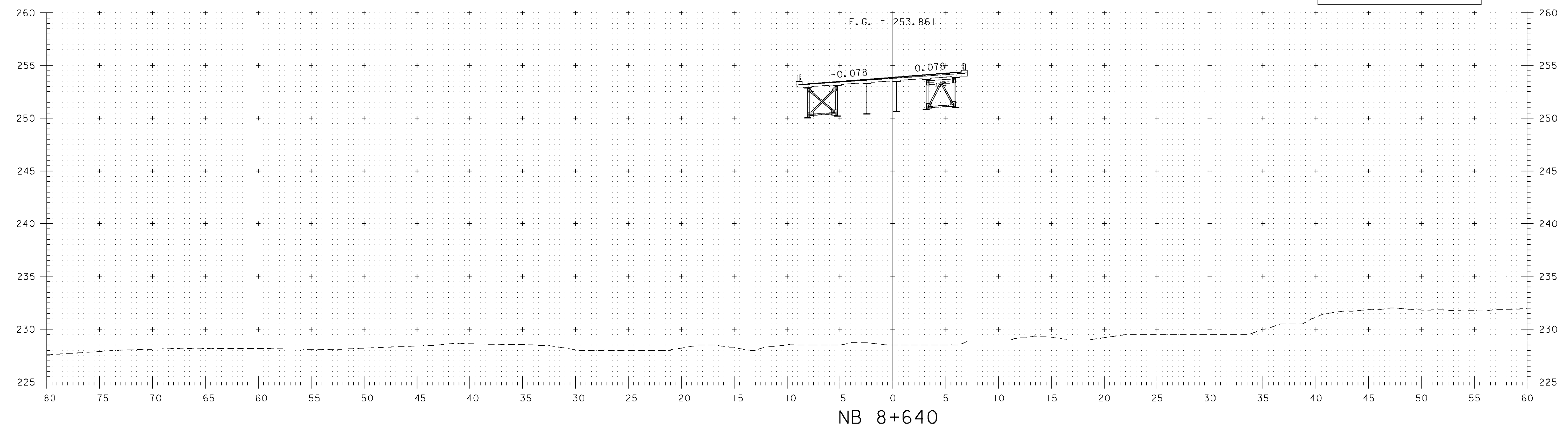
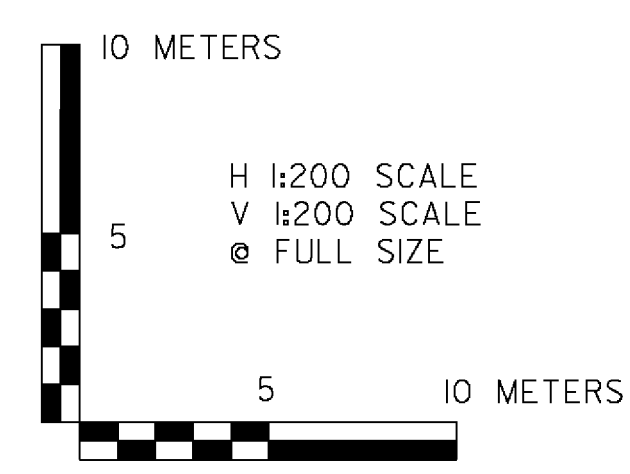


REVISED
4-3-2009



NOTE:
ELEVATIONS SHOWN ARE FOR THE ULTIMATE FINISHED GRADE.
THE TOP 50 PAVEMENT COURSE (TYPE IIIS) WILL BE CONSTRUCTED
ON THE BRIDGE LIMITS. THIS CONTRACT INCLUDES FULL DEPTH
PAVEMENT CONSTRUCTION ON BRIDGE LIMITS ONLY.



VERMONT AGENCY OF TRANSPORTATION	
	PROJECT NAME: BENNINGTON
	PROJECT NUMBER: AC NH 019-1(53)
FILE NAME: ...zd307c3.revised.dgn	PLOT DATE: 4/10/2009
DESIGN SUPERVISOR: GREG EDWARDS	DRAWN BY: STANTEC
DESIGNED BY: MARC FOISY	CHECKED BY: GARY SANTY
NB MAINLINE CROSS SECTIONS 3	SHEET OF

V:\1953\active\1953\0002\1\consortia\for\drawing\con\fract_3\Verifical\Revisions\zd307c3.r.revised.dgn