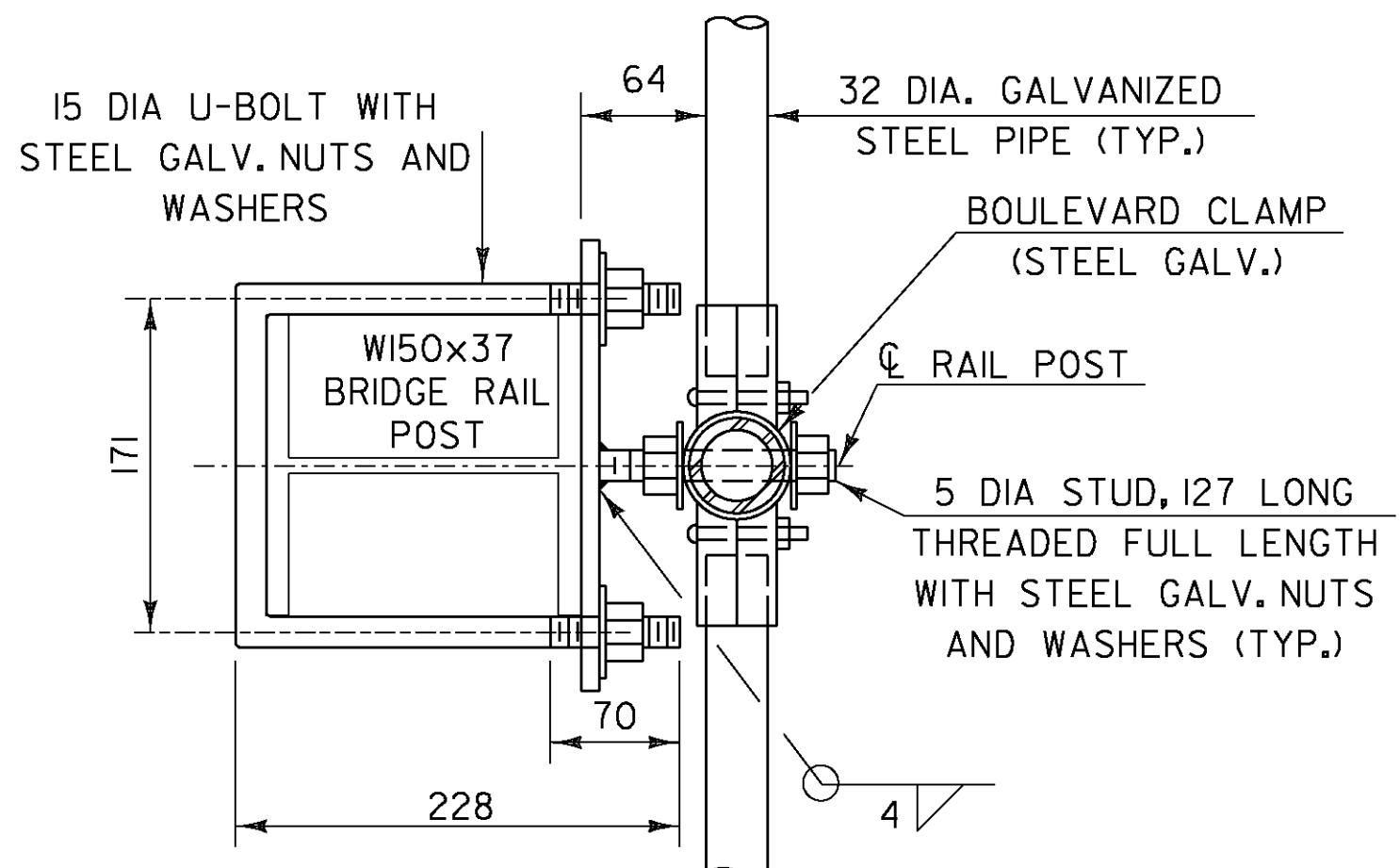
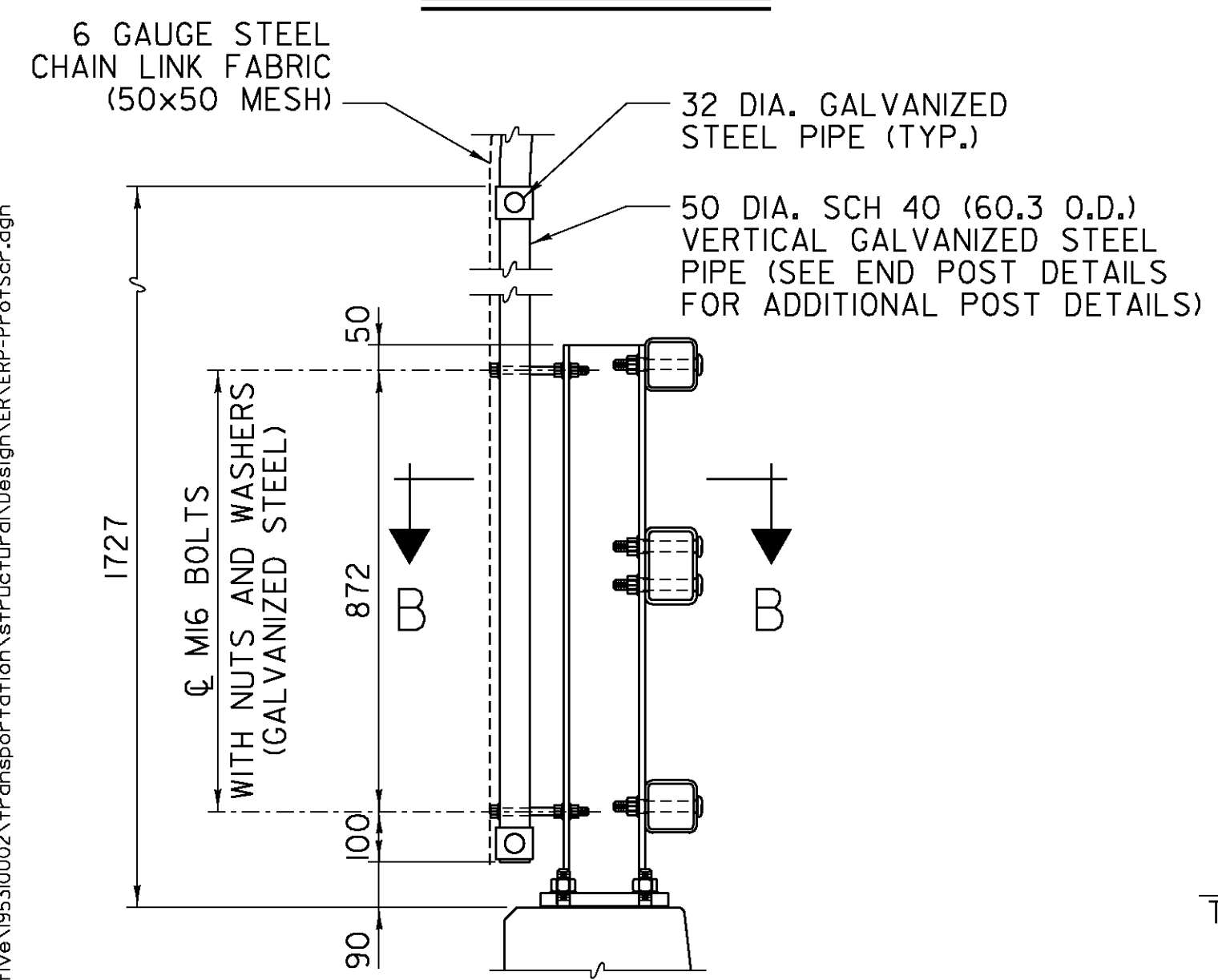


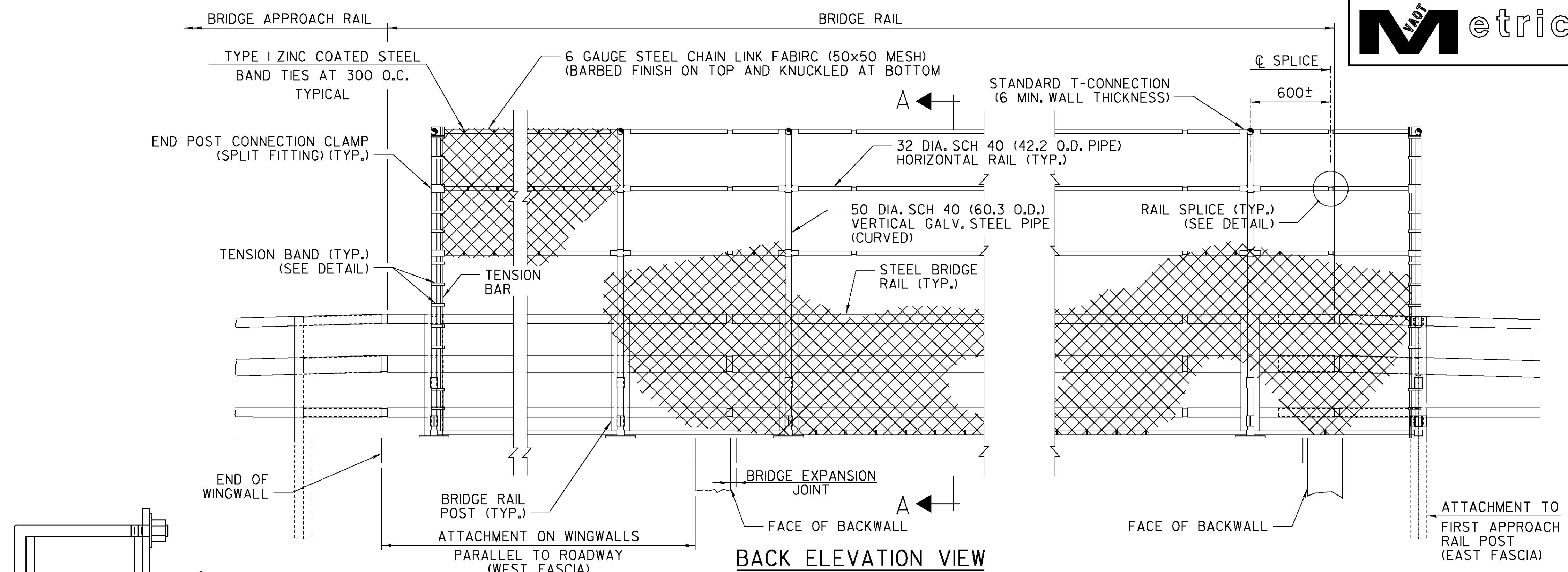
**SECTION A-A**



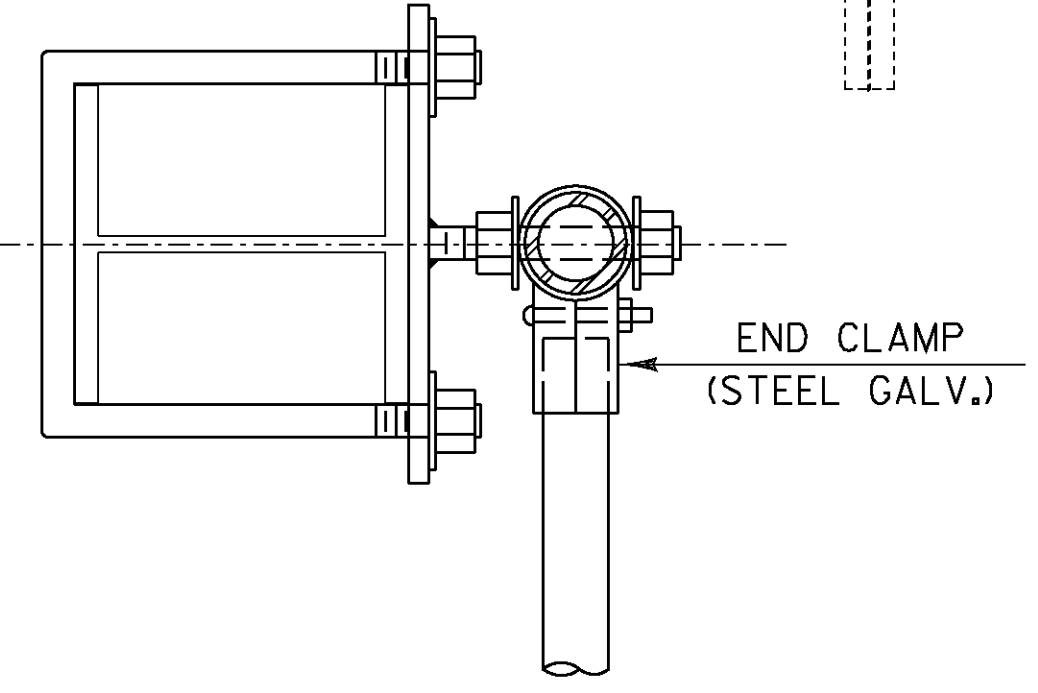
**SECTION B-B**



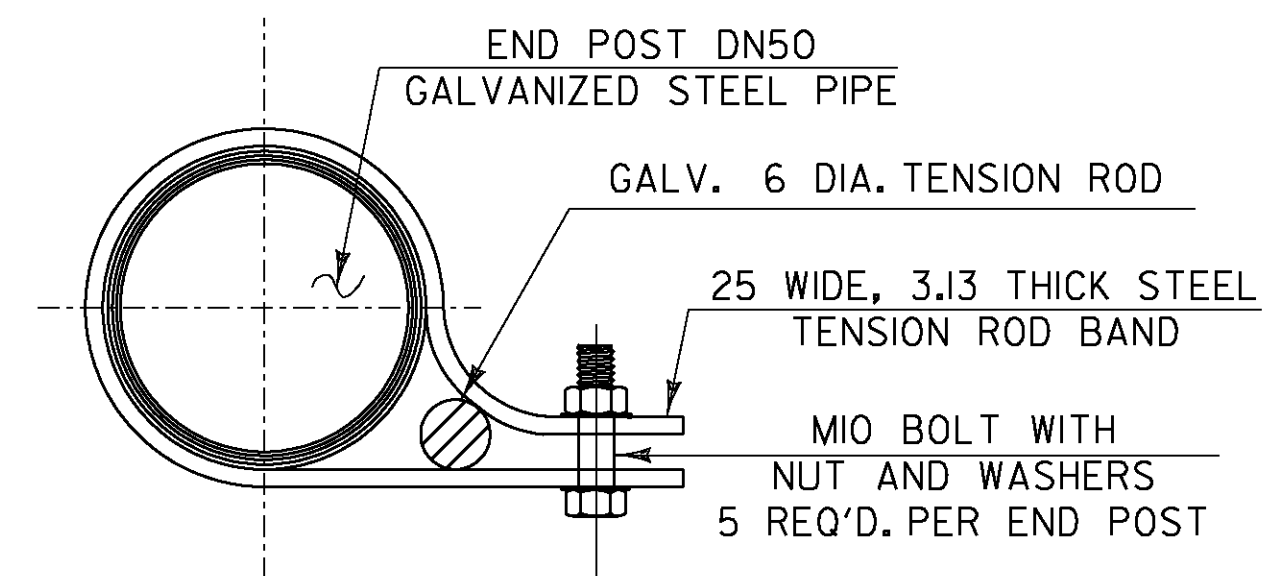
**RAIL POST CONNECTION**



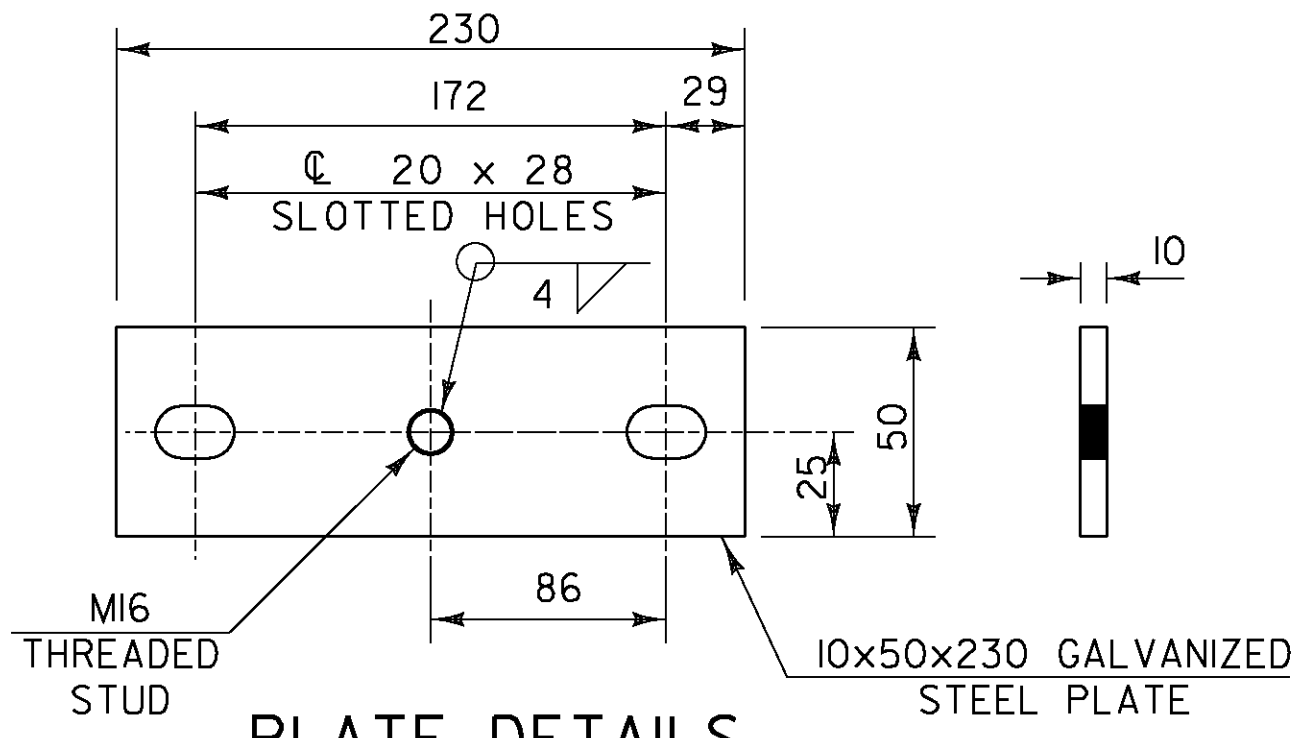
**BACK ELEVATION VIEW**



**PLAN VIEW AT END POST**



**TENSION ROD BAND**



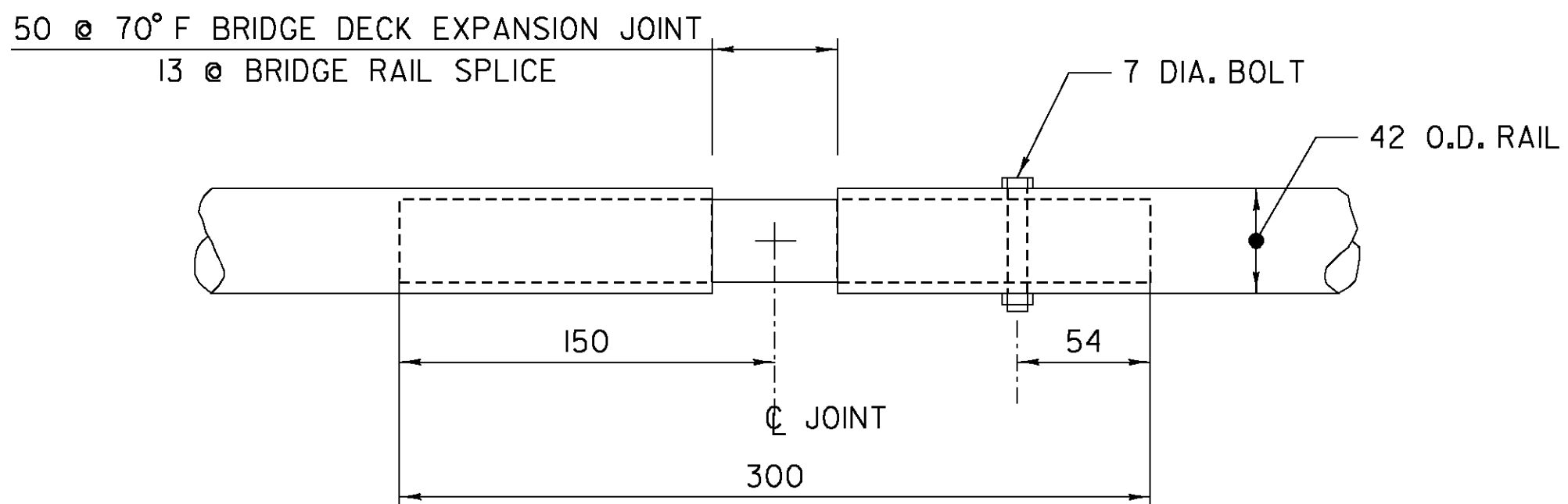
**PLATE DETAILS**

**NOTES**

- SCREENING, POSTS, RAILS AND CONNECTIONS SHALL BE PAID UNDER ITEM 900.640 SPECIAL PROVISION (PROTECTIVE SCREENING)
- PROVIDE A RAIL SPLICE AT THE BRIDGE DECK EXPANSION JOINT AND AT BRIDGE RAIL SPLICES.
- SPACE SCREEN POSTS WITH BRIDGE RAIL POSTS. USE 9 GAUGE TIES AT 150 O.C. TO BOTTOM RAIL. SPACE TIES AT 300 O.C. TO ALL POSTS AND OTHER RAILS.

**GENERAL NOTES**

- THREADS OF BOLTS TO BE M16 x 2-6g.
- DN32 PIPE MAY BE FIELD CUT (SAWN) TO FIT POST SPACING AND EDGES SHALL BE TOUCHED UP WITH GALVANIZING.
- ALL STEEL COMPONENTS AND CONNECTION PLATES SHALL BE GALVANIZED AFTER FABRICATION. ALL GALVANIZING SHALL CONFORM TO THE REQUIREMENTS OF AASHTO M 111M/M 111 WITH HARDWARE AND FITTINGS CONFORMING TO REQUIREMENTS OF AASHTO M 111M/M 111 OR AASHTO M 232M/M232 WHICHEVER IS APPLICABLE. ALL BOLTS, NUTS AND WASHERS SHALL BE EITHER HOT-DIP GALVANIZED IN ACCORDANCE WITH THE ABOVE AASHTO REQUIREMENTS OR MECHANICALLY GALVANIZED IN ACCORDANCE WITH AASHTO M 298, CLASS 110.
- CHAIN LINKED FABRIC TO BE BARBED ON THE TOP AND KNUCKLED AT THE BOTTOM.
- ALL BOLTS, NUTS AND WASHERS SHALL CONFORM TO THE SPECIFICATION FOR ASTM F 568M, CLASS 4.6.
- ALL STEEL PLATES SHALL CONFORM TO THE SPECIFICATION FOR AASHTO M 270M/M 270.
- GALVANIZED CHAIN-LINK FABRIC SHALL BE TYPE I (ZINC) CLASS D AS SPECIFIED IN AASHTO M 181.
- ALL DN (I.E. DIAMETER NOMINAL) REFERENCES TO GALVANIZED STEEL PIPE SHALL REFER TO THE NOMINAL PIPE SIZE.



**SCREEN RAIL SPLICE DETAIL**

<b>STATE OF VERMONT AGENCY OF TRANSPORTATION</b>			
Town Of	<b>BENNINGTON</b>	Bridge No.	B11
Highway No.	<b>TH 5</b>	Log Sta.	
		Surv. Sta.	
<b>SHARED USE PATH OVER VT ROUTE 279</b>			
<b>PROTECTIVE SCREENING DETAILS (S.U.P.)</b>			
Designed By	VTrans	Drawn By	VTrans/DH
Checked By	Date	Bridge Design Supervisor	
S. BURBANK	03/06	G. BOGUE	Date 03/07
PROJECT	<b>BENNINGTON</b>	PROJECT NO.	<b>AC NH 019-1(53)</b>
Dgn:	...Design\ERP-ProtScr.dgn	Plot Date:	5/25/2011
Bridge Sheet No.	BR648	Sheet	295 of 577